

37000™ SERIES



NEW
GROOVED END
MODEL 3700V



CAST IRON PFA* FUSED BALL VALVES



www.americanvalve.com

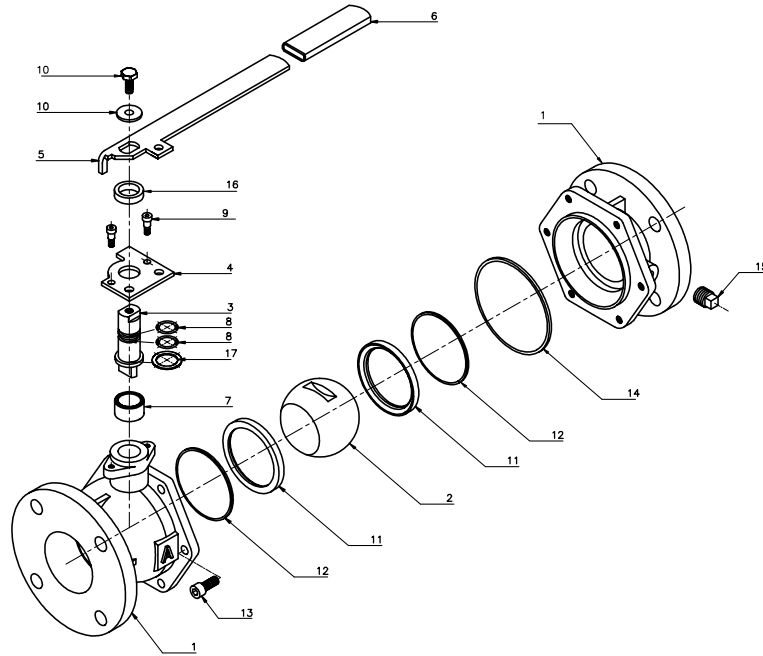
*PFA is an ingredient commonly branded as Teflon.

MODEL 3700

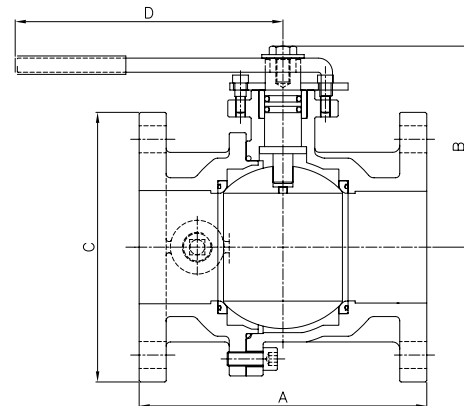
Cast Iron Flanged Ball Valve



	Part	Material
1	Body	Cast Iron/A126 Class B
2	Ball	Cast Iron/PFA* Fused
3	Stem	Stainless Steel
4	Top Plate	Steel
5	Handle	Steel
6	Handle Grip	Vinyl Dipped Plastisol
7	Sleeve	Steel
8	Stem 'O' Ring	Nitrile Rubber (Buna-N)
9	Shoulder Screw	Steel
10	Stem Bolt/Washer	Steel
11	Seat Ring	Virgin PTFE
12	Back Seat Ring	Nitrile Rubber (Buna-N)
13	Socket Head Screw	Steel
14	Body Gasket	Nitrile Rubber (Buna-N)
15	Body Plug	Steel
16	Collar	Steel



DIMENSIONS:		2	2.5	3	4	6	8
A	Face to Face	7"	7.5"	8"	9"	10.5"	11.5"
B	Center of Port to Top	5.5"	5.22"	5.59"	6.34"	8.31"	9.76"
C	Flange Diameter	6"	7"	7.5"	9"	11"	13.5"
D	Center of Valve to Top of Handle	12"	10.2"	10.9"	12.6"	16.7"	19.7"
	Port Diameter	2"	2.5"	3"	4"	6"	8"
	# of Bolt Holes	4	4	4	8	8	8
	Weight (lbs.)	25	30	38	62	118	199



- Epoxy Coated Cast Iron Body.
- PFA*- Fused Solid Ball.
- Same end-to-end as any flanged gate or plug valve.
- Tapped & plugged boss allows for venting downstream, or test port for backflow preventer.
- 2" through 8" - Full Port.
- Rated 200W @ 200°F.
- Class VI Positive Shutoff.
- 100% Lead-Free.
- Low Torque.
- Ideal for Liquid, Air, and Backflow applications.
- Blowout Proof Stem
- Meets all State and Federal Lead-Free Laws

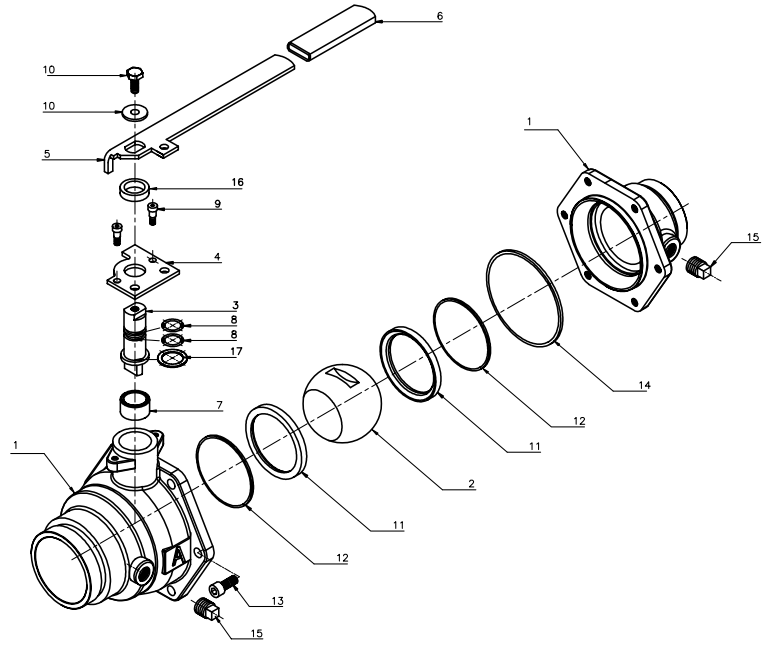
*PFA is an ingredient commonly branded as Teflon.

MODEL 3700V

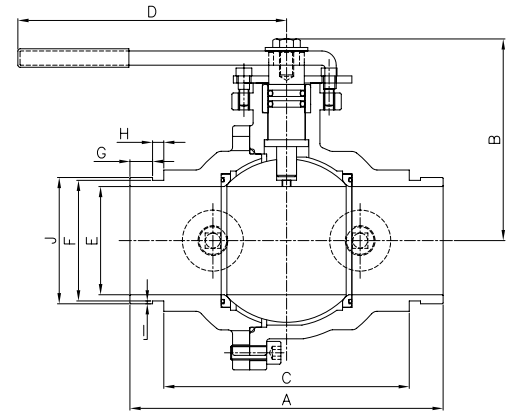
Cast Iron Grooved-End Ball Valve



	Part	Material
1	Body	Cast Iron/A48 Class 30
2	Ball	Cast Iron/PFA* Fused
3	Stem	Stainless Steel
4	Stem Retainer Plate	Steel
5	Handle	Steel
6	Handle Grip	Vinyl Dipped Plastisol
7	Sleeve	Stainless Steel
8	Stem 'O' Ring	Nitrile Rubber (Buna-N)
9	Lock Washer	Stainless Steel
10	Shoulder Screw	Steel
11	Stem Bolt/Washer	Steel
12	Seat	Virgin PTFE
13	Socket Head Screw	Steel
14	Body Gasket	Nitrile Rubber (Buna-N)
15	Body Plug	Cast Iron/Steel
16	Collar	Steel



DIMENSIONS:		2	3	4	6
A	End to End	7.68"	8.68"	9.90"	12.56"
B	Center of Port to Top	4.37"	5.59"	6.34"	8.31"
C	Face to Face	5.8"	6.81"	7.9"	10.56"
D	Center of Valve to Handle End	9.29"	9.76"	10.67"	6
E	Port Diameter	2"	3"	4"	6"
F	Groove Diameter	2.24"	3.34"	4.33"	6.45"
G	Gasket Seat	0.625"	0.625"	0.625"	0.625"
H	Groove Width	0.312"	0.312"	0.375"	0.375"
I	Groove Depth	0.062"	0.078"	0.083"	0.085"
J	Grooved End OD	2.37"	3.5"	4.5"	6.63"
	Weight (lbs.)	14"	26	47	106



- Epoxy Coated Cast Iron Body.
- PFA*- Fused Solid Ball.
- Double tapped & plugged bosses allow for venting or draining downstream, or test port for backflow preventer.
- Full Port in All Sizes.
- Rated 200W @ 200°F.
- Class VI Positive Shutoff.
- 100% Lead-Free.
- Low Torque.
- Ideal for Liquid, Air, and Backflow applications.
- Blowout Proof Stem
- Meets all State and Federal Lead-Free Laws

*PFA is an ingredient commonly branded as Teflon.



Industry-Leading Innovation

American Valve's **3700 Series™** provides the best alternative to gate valves, exactly matching their end-to-end and flanged dimensions. **3700 Series™** valves also provide superior performance to butterfly and plug valves.

Unlike gate, plug, and butterfly valves, **3700 Series™** valves are designed to maintain a bubble-tight shut off that exceeds ANSI Class VI for many years, even if the valve has not been operated or maintained regularly.

All **3700 Series™** valves are rated at 200 psig @ 200°F, and are full port in all sizes.

3700 Series™ features PFA* seats. It should not be used in steam, oil, or flammable gas applications, but is ideally suited for potable water, wastewater, or other liquids and compressed air.

3700 Series™ has no bronze parts, which contain lead. As regulatory agencies continue to reduce the allowable lead content of components in our drinking water supply, **3700 Series™** offers a safe alternative to IBBM gate valves and bronze disc butterfly valves. **3700 Series™** also features a VOC-free epoxy coating.

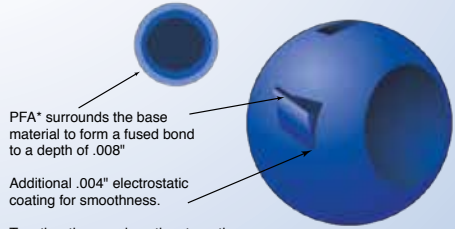
3700 Series™ valves are bi-directional; flow may go in either direction. They may be mounted horizontally, vertically, or at an angle.

3700 Series™ can be locked in either the open or closed position. 2" square operating nuts are available for underground service or hard-to-reach installations. Gear operators and actuators are available with our **4000 Series™** ball valve.

3700 Series™ features the fusion process developed by American Valve over 10 years ago.

This feature eliminates ball pitting, prevents build-up, lowers torque, and stops premature valve failure.

Since the PFA* is actually impregnated .008" into the metal, it can't wear, chip, or flake.



Additional .004" electrostatic coating for smoothness.

Together they produce the strength of steel with the corrosion resistance of PFA*. Our patented process has gained the best of both worlds...**Strength, Lubricity, and Bonding.**

* PFA is commonly sold as Teflon® under license by DuPont

GATE VALVE COMPARISON

Typical Gate Valve	3700 Series™
Class IV Allowable Leak-Rate	Positive Shutoff - Exceeds Class VI
Same End-to-End Dimensions as Model 3700 (ANSI B16.10)	Same End-to-End Dimensions as Class 125 or 150 Gate Valve (ANSI B16.10) or Plug Valve
Unprotected Metal Gate Notorious as a magnet for buildup and mineral deposits, making full shutoff impossible. Should come with a cheater bar	PFA*-Fused Ball Prevents Calcium, Lime, or any other buildup common in water applications, which often leads to premature valve failure
Heavy & Awkward - Requires "Big Joe" to Install · Typical 3" Gate Valve = 72 lbs. · Typical 6" Gate Valve = 197 lbs.	Lightweight & Compact - Easy to Install · 3" 3700 = 35 lbs. · 6" 3700 = 113 lbs.
Contains Bronze parts ...which contain Lead . (Lead has been shown to cause birth defects and damage to the nervous system- even in small doses)	100% Lead-Free -No bronze parts -No VOC's