

CAST
STAINLESS
STEEL
VALVES



BONNEY
FORGE
150
2
CF8M



BONNEY
FORGE
150
2
CF8M

BONNEY
FORGE
300
2
CF8M



BONNEY FORGE

Design and Wall thickness conform to ASME/ANSI B 16.34 and API 603

Face to Face and End to End dimensions conform to ANSI B 16.10

End Flange dimensions conform to ANSI B 16.5

Butt Weld End dimensions conform to ANSI B 16.25, Standard Weight Pipe dimensions, unless otherwise specified.

Gate Valve Wedges:

**Class 150; "H" shaped, flexible wedges on sizes 3" and above
Solid wedges on sizes below 3"**

**Class 300 & 600; "H" shaped flexible wedges on size 2" and above
Solid wedges on sizes below 2"**

Other Corrosion Resistant Materials are available as shown below

ASTM designation

A351 Gr CF8

A351 Gr CF3M

A351 Gr CF3

A351 Gr CN7M

A351 Gr CF8C



GATE VALVES

BONNEY FORGE

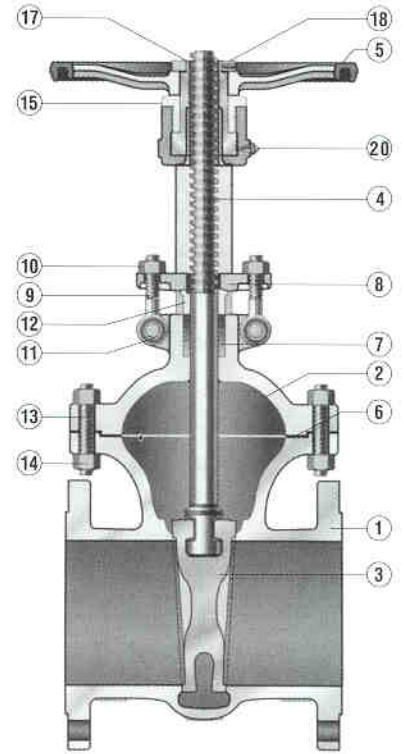
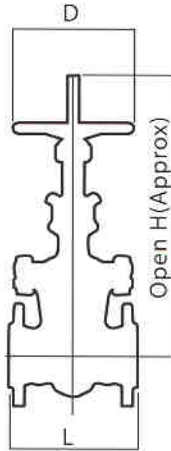
CLASS 150

CLASS 300

CLASS 600

MATERIAL

NO	PART NAME	MATERIAL
1	BODY	A351 CF8M
2	BONNET	A351 CF8M
3	WEDGE	A351 CF8M
4	STEM	A479-316
5	HAND WHEEL	A197 or WCB
6	GASKET	GRAPHITE
7	PACKING	GRAPHITE
8	GLAND FLANGE	A351-CF8
9	HINGE BOLT	A193-B8
10	HINGE NUT	A194-8
11	HINGE PIN	A479-304
12	PACKING GLAND	A479-316
13	BONNET BOLT	A193-B8
14	BONNET NUT	A194-8
15	YOKE CAP	C/S 1020+Cr
16	YOKE SLEEVE	A439-D2
17	HANDLE NUT	304 S.S
18	SET SCREW	C/S 1020+Cr
19	GREASE NIPPLE	STEEL+Cr
20	YOKE	A351-CF8
21	YOKE BOLT	A193-B8
22	YOKE NUT	A194-8



Dimensions For Gate Valves Class 150

Weight on Request

SIZE	inches	mm	1/2"	3/4"	1"	1 1/2"	2"	3"	4"	6"	8"	10"	12"	14"	16"	18"	20"	24"
L	inches	mm	4 1/4	4 5/8	5	6 1/2	7	8	9	10 1/2	11 1/2	13	14	15	16	17	18	20
Face To Face			108	118	127	165	178	203	229	267	292	330	356	381	406	432	457	508
BWE	inches	mm	4 1/4	4 5/8	5	6 1/2	8 1/2	11 1/8	12	15 7/8	16 1/2	18	19 3/4	22 1/2	24	26	28	32
L1			108	118	127	165	216	283	305	403	419	457	502	572	610	660	711	813
H	inches	mm	7 1/2	7 3/4	9 7/8	11 1/4	13 1/8	16 3/4	20 7/8	28 3/4	36 7/8	43 7/8	53 7/8	61	71 7/8	74 7/8	83 1/2	98 1/2
(open)			191	199	233	285	333	424	531	730	936	1114	1369	1550	1823	1900	2120	2502
D	inches	mm	4	4	4 3/4	5 1/2	6 1/4	7 7/8	9 7/8	12 1/2	14	14	17 3/4	19 3/4	22	24 7/8	28	31 1/2
			100	100	120	140	160	200	250	315	355	355	450	500	560	630	710	800

Dimensions For Gate Valves Class 300

Weight on Request

SIZE	inches	mm	1/2"	3/4"	1"	1 1/2"	2"	3"	4"	6"	8"	10"	12"	14"	16"	18"	20"	24"
L, L1	inches	mm	5 1/2	6	6 1/2	7 1/2	8 1/2	11 1/8	12	15 7/8	16 1/2	18	19 3/4	30	33	36	39	45
			140	152	165	191	216	283	305	403	419	457	502	762	838	914	991	1143
H	inches	mm	8 1/4	8 1/4	12	13 3/4	15 1/4	19 1/3	23 1/8	31 1/2	39 1/2	47 7/8	62 1/4	68	75	84 1/3	92 1/2	108 1/8
(open)			208	211	303	349	390	491	588	802	1002	1216	1582	1728	1907	2142	2350	2746
D	inches	mm	3 15/16	3 15/16	4 3/4	7	7 7/8	8 7/8	9 7/8	14	15 3/4	17 3/4	19 3/4	22	24 3/4	28	31 1/2	35 1/2
			100	100	160	180	200	224	250	355	400	450	500	560	630	710	800	900

Dimensions For Gate Valves Class 600

Weight on Request

SIZE	inches	mm	1 1/2"	2"	3"	4"	6"	8"	10"	12"
L, L1	inches	mm	9 1/2	11 1/2	14	17	22	26	31	33
			241	292	356	432	559	660	787	838
H	inches	mm	15 3/4	16 1/2	20 1/8	25	33 1/2	42 1/2	48 7/8	57 1/3
(open)			399	419	511	635	853	1075	1243	1456
D	inches	mm	7	7 7/8	9 7/8	14	17 3/4	19 3/4	24 7/8	28
			180	200	250	355	450	500	630	710



GLOBE VALVES

BONNEY FORGE

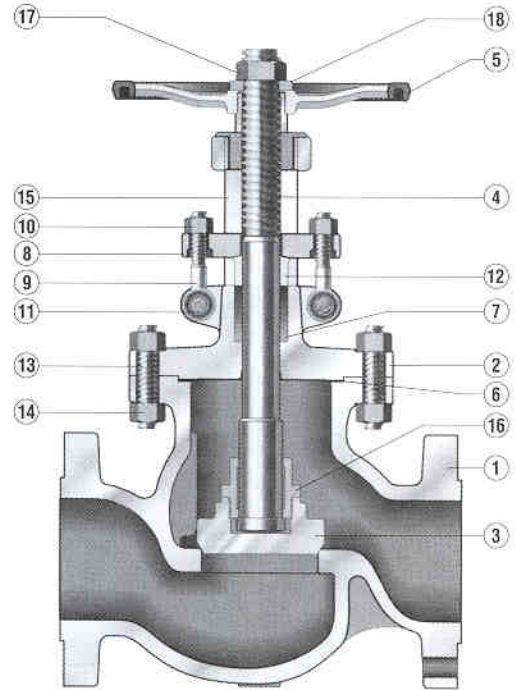
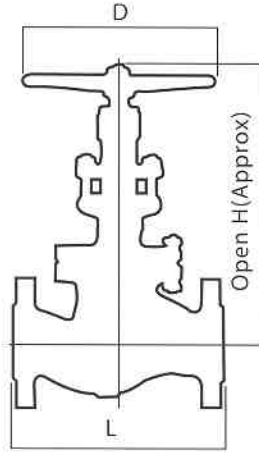
CLASS 150

CLASS 300

CLASS 600

MATERIAL

NO	PART NAME	MATERIAL
1	BODY	A351 CF8M
2	BONNET	A351 CF8M
3	DISC	A351 CF8M
4	STEM	A479-316
5	HAND WHEEL	A197 or WCB
6	GASKET	GRAPHITE
7	PACKING	GRAPHITE
8	GLAND FLANGE	A351-CF8
9	HINGE BOLT	A193-B8
10	HINGE NUT	A194-8
11	HINGE PIN	A479-304
12	PACKING GLAND	A479-316
13	BONNET BOLT	A193-B8
14	BONNET NUT	A194-8
15	YOKE BUSH	A439-D2
16	LOCK NUT	A479-316
17	HANDLE NUT	A194-8
18	WASHER	A479-304



Dimensions For Globe Valves Class 150

Weight on Request

SIZE	inches mm	1/2"	3/4"	1"	1 1/2"	2"	3"	4"	6"	8"	10"	12"
L, L1	inches mm	4 1/4 108	4 5/8 118	5 127	6 1/2 165	8 203	9 1/2 241	11 1/2 292	16 406	19 1/2 495	24 1/2 622	27 1/2 699
H (open)	inches mm	7 1/2 188	7 7/8 196	8 7/8 226	10 1/4 259	10 1/2 266	13 1/2 342	14 7/8 377	16 7/8 429	22 558	30 1/2 755	32 1/2 825
D	inches mm	4 100	4 100	5 1/2 140	7 180	7 180	8 7/8 224	11 280	14 355	15 3/4 400	17 3/4 450	19 3/4 500

Dimensions For Globe Valves Class 300

Weight on Request

SIZE	inches mm	1/2"	3/4"	1"	1 1/2"	2"	3"	4"	6"	8"	10"
L, L1	inches mm	6 152	7 178	8 203	9 229	10 1/2 267	12 1/2 318	14 356	17 1/2 445	22 559	24 1/2 622
H (open)	inches mm	7 1/4 185	7 1/2 194	8 7/8 224	10 1/2 267	13 330	15 383	17 1/2 443	22 1/3 567	27 1/3 696	30 2/3 779
D	inches mm	4 100	4 100	5 1/2 140	7 180	7 180	8 7/8 224	11 280	15 3/4 400	17 3/4 450	19 3/4 500

Dimensions For Globe Valves Class 600

Weight on Request

SIZE	inches mm	1 1/2"	2"	3"	4"	6"	8"
L, L1	inches mm	9 1/2 241	11 1/2 292	14 356	17 432	22 559	26 660
H (open)	inches mm	11 2/3 295	13 2/3 347	18 7/8 478	20 7/8 531	26 1/2 675	38 1/3 721
D	inches mm	7 7/8 200	8 7/8 224	12 315	14 355	19 2/3 500	22 560



SWING CHECK VALVES

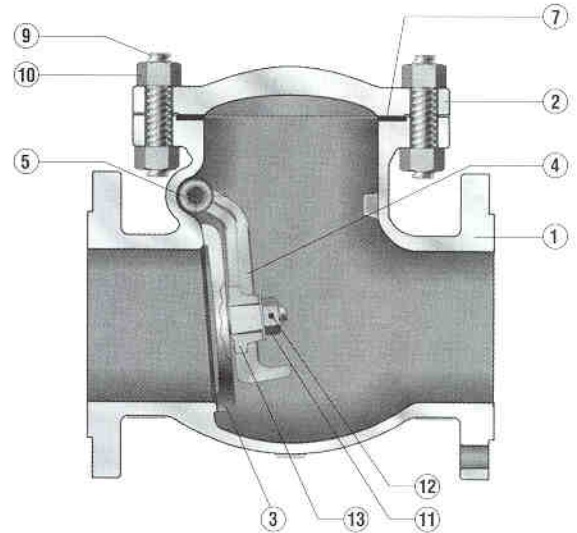
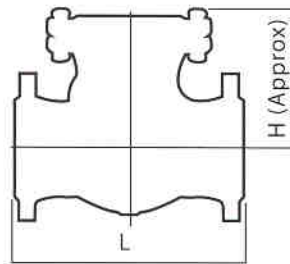
BONNEY FORGE

CLASS 150

CLASS 300

CLASS 600

MATERIAL		
NO	PART NAME	MATERIAL
1	BODY	A351 CF8M
2	BONNET	A351 CF8M
3	DISC	A351 CF8M
4	ARM	A351 CF8M
5	ROD PIN	A479-316
6	PLUG	A479-304
7	GASKET	GRAPHITE
8	PLUG GASKET	316 S.S
9	BONNET BOLT	A193-B8
10	BONNET NUT	A194-8
11	DISC NUT	A194-8M
12	SPLIT PIN	A580-316
13	WASHER	A240-316



Dimensions For Swing Check Valves Class 150

Weight on Request

SIZE	inches	mm	1/2"	3/4"	1"	1 1/2"	2"	3"	4"	6"	8"	10"	12"	14"	16"	18"	20"	24"
			15	20	25	40	50	80	100	150	200	250	300	350	400	450	500	600
L, L1	inches	mm	4 1/4	4 5/8	5	6 1/2	8	9 1/2	11 1/2	14	19 1/2	24 1/2	27 1/2	31	34	38 1/2	38 1/2	51
			108	118	127	165	203	241	292	356	495	622	698	787	864	978	978	1295
H	inches	mm	3 1/4	3 1/2	4	4 3/4	5 1/2	6 3/8	8	9 3/4	11 1/2	13	14	15 1/2	16 1/2	20	21 5/8	23 1/2
			83	89	102	120	138	160	201	248	293	330	354	394	420	510	550	599

Dimensions For Swing Check Valves Class 300

Weight on Request

SIZE	inches	mm	1/2"	3/4"	1"	1 1/2"	2"	3"	4"	6"	8"	10"	12"	14"	16"	18"	20"	24"
			15	50	25	40	50	80	100	150	200	250	300	350	400	450	500	600
L, L1	inches	mm	5 1/2	6	8 1/2	9 1/2	10 1/2	12 1/8	14	17 1/2	21	24 1/2	28	33	34	38 1/2	40	53
			152	178	216	241	267	318	356	445	533	622	711	838	864	978	1016	1346
H	inches	mm	3 5/8	3 3/4	4 3/8	5	6	7	7 1/3	10 1/3	12 1/4	14	15 1/2	20	20 1/2	22 1/2	24 1/2	28
			93	96	112	126	152	176	186	262	312	355	393	510	521	572	622	712

Dimensions For Swing Check Valves Class 600

Weight on Request

SIZE	inches	mm	1 1/2"	2"	3"	4"	6"	8"	10"	12"
			40	50	80	100	150	200	250	300
L, L1	inches	mm	9 1/2	11 1/2	14	17	22	26	31	33
			241	292	356	432	559	660	787	838
H (open)	inches	mm	4 7/8	7 1/3	8 1/4	10	13	14 1/3	18 1/4	19 1/8
			124	187	210	256	329	364	464	486



BONNEY FORGE

How to Order/Specify Cast Stainless Steel Valves

1. Specify Valve Size
2. Designate Bonnet Style and Pressure Class from Section A
3. Select Valve Type desired from Section B
4. Indicate Body/Bonnet and Trim Material from Section C
5. Select End Configuration from Section D

Section A- Bonnet Style And Pressure Class

1	Bolted Bonnet	Class 150#
3	Bolted Bonnet	Class 300#
6	Bolted Bonnet	Class 600#

Section B- Type of Valve

1	Gate Valve, Flexible Wedge
3	Globe Valve, T Pattern
6	Check Valve, Swing Type

Section C- Body/Bonnet And Trim Material

8	A351CF8M Body/Bonnet, Trim 18% Cr – 8 Ni (316/CF8M) "Trim 316 Stainless Steel API Trim #10"
---	--

Section D- End Configuration

RF-BA	Raised Face, Flanged End, 125-250 AARH
RFSF-BA	Raised Face, Flanged End, 125 AARH
RTJ-BA	Ring Type Joint
BW-BA	Butt Weld Ends (Specify Pipe Schedule)

Section F- Modifications/Special Requirements

SL	Bellow Seal Bonnet
BG	Bevel Gear Operator
BYP	Bypass
CWO	Chainwheel Operated
CRY	Cryogenic Bonnet
EMO	Electric Motor Operator
GD	Guided Disc (Globe Valves)
NACE	NACE Requirements to MR-01-75, latest edition
PMI	Positive Material Identification required

List as a suffix, by abbreviation if possible, any other requirements not shown on this list

Example: 3" 150# RF Flanged Gate Valve. Bolted Bonnet
ASTM-A351 CF8M WITH API #10 TRIM
SPECIFY: 3" 1-18-RF-BA