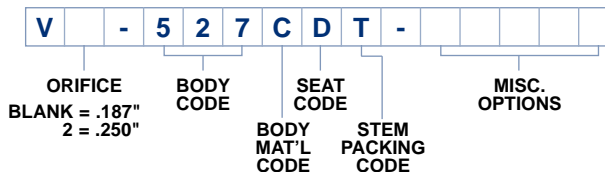


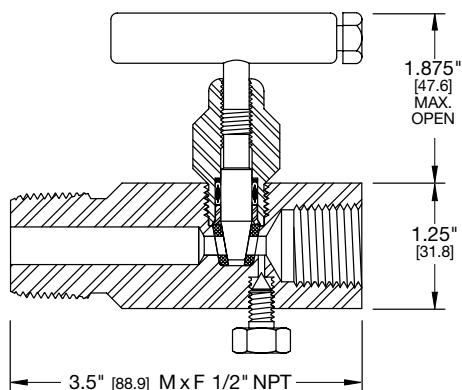
Bleeder Screw Gauge Valves ~ Soft Seat

ORIFICE

.187" .250"



V-527



MATERIALS OF CONSTRUCTION

PART DESCRIPTION	CARBON STEEL	316 SS
Body and Bonnet	ASTM A108 CS	ASTM A479-316 SS
Stem	ASTM A479-316 SS	ASTM A479-316 SS
Seal Retainer	ASTM A479-316 SS	ASTM A479-316 SS
Bleed Screw	ASTM A479-316 SS	ASTM A479-316 SS
Handle Assembly	ASTM A108 CS	ASTM A581 18-8 300 SS

- PGI Carbon Steel Products are Alkaline Zinc plated for corrosion prevention.
- PGI 316 SS Products meet the requirements of NACE MR0175/ISO 15156-3.
- 100% Pressure Tested

MAX Cv RATINGS

ORIFICE SIZE	BODY STYLE Straight
.187"	.83
.250"	1.40

Approximate Valve Weight: 1.30 lbs [0.59 kg] each

ORDERING INFORMATION

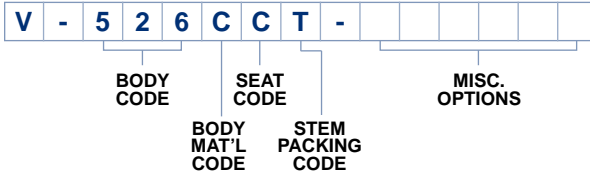
PART NO.	CONNECTIONS		BODY & BONNET	SEAT & PACKING
	INLET	OUTLET		
.187" Orifice				
V-523CDT	1/2" MNPT x 1/2" FNPT		Carbon Steel	Delrin® Cone Seat PTFE Pressure-Core® Stem Seal Max Pressure 6,000 PSI @ 200°F
V-523SDT			316 SS	
V-525CDT	1/2" FNPT x 1/2" FNPT		Carbon Steel	
V-525SDT			316 SS	
V-527CDT	3/4" MNPT x 1/2" FNPT		Carbon Steel	
V-527SDT			316 SS	
.250" Orifice				
V2-523CDT	1/2" MNPT x 1/2" FNPT		Carbon Steel	
V2-523SDT			316 SS	
V2-527CDT	3/4" MNPT x 1/2" FNPT		Carbon Steel	
V2-527SDT			316 SS	

OPTION CODE	DESCRIPTION	
Seat Material Options		
K	Kel-F® Seat	Refer to Chart B on Page 22 and Pressure and Process Temperature Charts on Page 23.
P	PEEK® Seat	
T	PTFE Seat	
Z	Tefzel® Seat (Available in .250" Orifice Only)	
Stem Packing Material Options		
T	PTFE Pressure-Core® Stem Seal	
J	PTFE Pressure-Core® Stem Seal (Low Temperature -50°F)	
Miscellaneous Options See Complete List on Page 24		
M1	Panel Mount	
W	Safety Bonnet Lock Plate (Lock Pin Standard)	
W1	316 SS Tag	
WK	Paper Tag	
XL	Clean for Critical Service (Oxygen or Chlorine)	

Bleeder Screw Gauge Valves ~ Hard Seat

ORIFICE

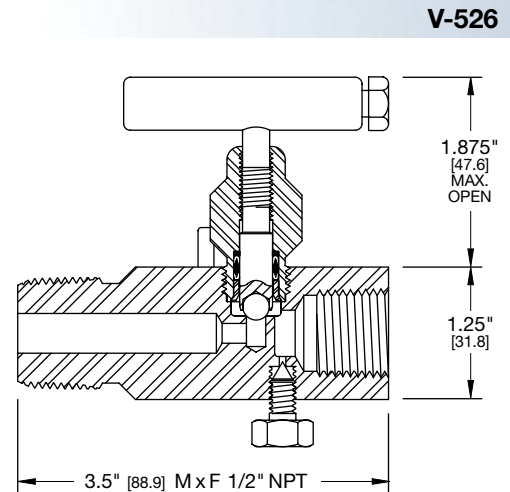
.187"



ORDERING INFORMATION

PART NO.	CONNECTIONS		BODY & BONNET	SEAT & PACKING
	INLET	OUTLET		
.187" Orifice				
V-522CCT	1/2" MNPT x 1/2" FNPT	1/2" FNPT	Carbon Steel	Carbide Ball Seat
V-522SCT			316 SS	
V-524CCT	1/2" FNPT x 1/2" FNPT	1/2" FNPT	Carbon Steel	
V-524SCT			316 SS	
V-526CCT	3/4" MNPT x 1/2" FNPT	1/2" FNPT	Carbon Steel	PTFE Pressure-Core® Stem Seal
V-526SCT			316 SS	
V-606CCT	1/2" MNPT x 1/2" MNPT	1/2" MNPT	Carbon Steel	Max Pressure 10,000 PSI @ 200°F
V-606SCT			316 SS	
V-608CCT	3/4" MNPT x 1/2" MNPT	1/2" MNPT	Carbon Steel	
V-608SCT			316 SS	

OPTION CODE	DESCRIPTION
Body Material Options	
P	ASTM A105 CF Carbon Steel For Use with Grafoil® Packed Bonnets
Seat Material Options	
R	Ceramic Ball Seat
6	316 SS Ball Seat
Stem Packing Material Options	
T	PTFE Pressure-Core® Stem Seal
G	Low-Torque™ Grafoil® Packed
J	PTFE Pressure-Core® Stem Seal (Low Temperature -50°F)
Miscellaneous Options See Complete List on Page 24	
AM7	Male Pipe Socket Weld - Male Inlet Only
AP7	Female Pipe Socket Weld - Female Inlet Only
M1	Panel Mount
W	Safety Bonnet Lock Plate (Lock Pin Standard)
W1	316 SS Tag
WK	Paper Tag
XL	Clean for Critical Service (Oxygen or Chlorine)



MATERIALS OF CONSTRUCTION

PART DESCRIPTION	CARBON STEEL	316 SS
Body and Bonnet	ASTM A108 CS	ASTM A479-316 SS
Stem	ASTM A479-316 SS	ASTM A479-316 SS
Seal Retainer	ASTM A479-316 SS	ASTM A479-316 SS
Bleed Screw	ASTM A479-316 SS	ASTM A479-316 SS
Handle Assembly	ASTM A108 CS	ASTM A581 18-8 300 SS

- PGI Carbon Steel Products are Alkaline Zinc plated for corrosion prevention.
- PGI 316 SS Products meet the requirements of NACE MR0175/ISO 15156-3.
- 100% Pressure Tested

MAX Cv RATINGS

ORIFICE SIZE	BODY STYLE
.187"	Straight
	.53

Approximate Valve Weight: 1.30 lbs [0.59 kg] each

BLEEDER SCREW GAUGE VALVES