

Model 600A-02 Duratemp® Thermometer



FEATURES

- Exclusive movementless design resists shock and vibration – no gears to wear or misalign resulting in increased instrument life
- Gas-operated molecular sieve
- No elevation error
- Mercury free
- One bulb size for all ranges
- ±1% full-span accuracy
- Maxivision® dial
- Limited five-year warranty

An aluminum case with a durable epoxy finish. Designed specifically for panel mounting. A hinged ring permits glass replacement and pointer adjustment. Available in 4½", 6" and 8½" sizes.

PRODUCT SPECIFICATIONS

- Model:** 600A-02
Accuracy: ±1% of span
Case Style: Aluminum hinged ring
Dial Size: 4½", 6" and 8½" Maxivision® linear anti-parallax dial, black markings on a white dial
Window: Glass, shatterproof glass & plastic are optional.
Mounting and connection: Flush/Rear (C12, C27 or C35)
Ambient Temperature: 160°F/71°C
Bulb size: 3" long by ⅜" O.D.
Bulb Material: 316 Stainless steel

- Bulb Styles:**
- 12" Bendable extension w/½ NPT union connection (B01)
 - Plain bulb with rigid extension no union (B03)
 - Plain bulb with rigid extension ½ NPT union on armor (B08)
 - 18" Bendable extension w/ ½ NPT union connection (B17)
 - 24" Bendable extension w/ ½ NPT union connection (B18)

Capillary Material: 300 Stainless steel
Line length: 5ft – 80ft in standard increments (See table 5)

Armor: AISI 302 spring armor standard, interlock 303 SS, PVC coated, plain and no armor are optional.

Ranges:
 -320/200°F — 400/1200°F
 -200/100°C — 200/650°C
 Dual scale ranges available

Over Range: 125% of span

Head/Elevation Error: None

- Product Options:**
- Dial markings **XDM**
 - Externally adjustable red hand set **XEO**
 - Externally adjustable **XEP**
 - Externally adjustable min. pointer **XEQ**
 - Non-glare glass **XNG**
 - Paper tag **XNN**
 - Stainless steel tag **XNH**
 - Plastic window **XPD**
 - Shatterproof glass **XSG**
 - Stationary red hand set **XSH**
 - Tank car thermometer **XTK**
 - Stainless steel polished ring **G3**

HOW TO ORDER

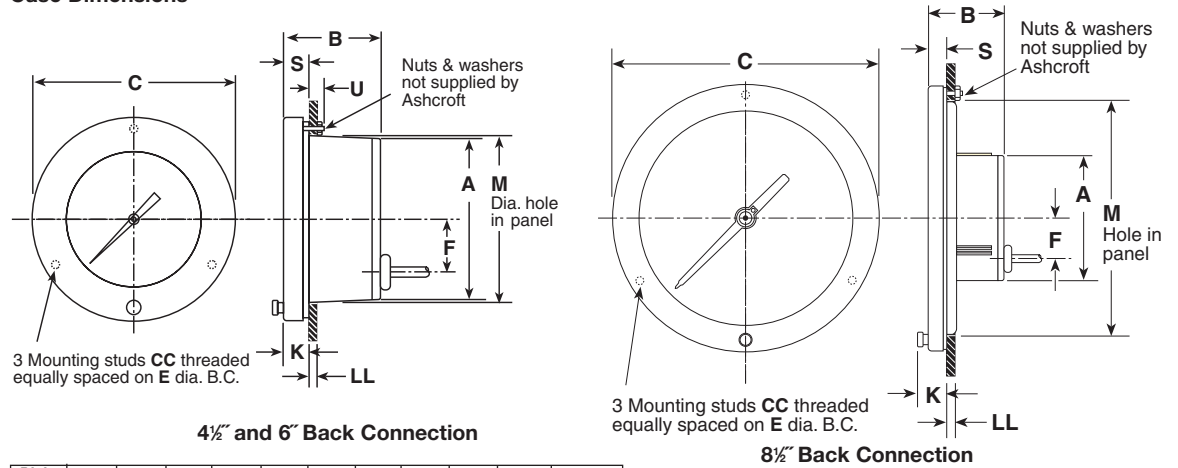
| 600A | 02 | | C02 | | | | | B01 | | A1 | | L07 | | AK | | |
|------|------------|----------------------|------------|------|---------------------|-------|-------|-------------|------|---|------|------------------------|------|--------------------|------------|-------------|
| | Table 1 | | Table 2 | | | | | Table 3 | | Table 4 | | Table 5 | | Table 6 | | |
| | CASE STYLE | | CASE STYLE | | MOUNTING CONNECTION | | | BULB STYLES | | ARMOR STYLE | | LINE LENGTH | | RANGES | | |
| | CODE | DESCRIPTION | CODE | SIZE | SURFACE | FLUSH | LOWER | REAR | CODE | DESCRIPTION | CODE | DESCRIPTION | CODE | DESCRIPTION | CODE | DESCRIPTION |
| | 02 | Aluminum Hinged Ring | C12 | 4½" | | ✓ | | ✓ | B01 | 12" Bendable extension with ½ NPT union connection | A1 | Stainless Steel Spring | L01 | 5' | AB | -320/200°F |
| | | | C27 | 6" | | ✓ | | ✓ | B03 | Plain bulb with rigid extension, no union | | | L03 | 10' | AE | -100/100°F |
| | | | C35 | 8½" | | ✓ | | ✓ | B08 | Plain bulb with rigid extension, ½ NPT union on armor | | | L07 | 20' | AG | -40/180°F |
| | | | | | | | | | B17 | 18" Bendable extension with ½ NPT union connection | | | L09 | 30' | AK | 20/240°F |
| | | | | | | | | | B18 | 24" Bendable extension with ½ NPT union connection | | | L13 | 50' | AL | 50/300°F |
| | | | | | | | | | | | L19 | 80' | AN | 50/550°F | | |
| | | | | | | | | | | | | | | AR | 50/750°F | |
| | | | | | | | | | | | | | | AT | 400/1200°F | |
| | | | | | | | | | | | | | | AY | -200/100°C | |
| | | | | | | | | | | | | | | BL | -80/40°C | |
| | | | | | | | | | | | | | | BN | -40/80°C | |
| | | | | | | | | | | | | | | BS | 0/120°C | |
| | | | | | | | | | | | | | | BT | 10/150°C | |
| | | | | | | | | | | | | | | BU | 0/300°C | |
| | | | | | | | | | | | | | | BW | 0/400°C | |
| | | | | | | | | | | | | | | BJ | 200/650°C | |
| | | | | | | | | | | | | | | DUAL RANGES | | |
| | | | | | | | | | | | | | | CE | 20/240°F | |
| | | | | | | | | | | | | | | | 0/120°C | |
| | | | | | | | | | | | | | | CF | 50/550°F | |
| | | | | | | | | | | | | | | | 0/300°C | |
| | | | | | | | | | | | | | | DR | 50/300°F | |
| | | | | | | | | | | | | | | | 10/150°C | |
| | | | | | | | | | | | | | | DT | -40/180°F | |
| | | | | | | | | | | | | | | | -40/80°C | |

Note: Thermowells must be used on any application where the bulb of the thermometer may be exposed to pressure, corrosive fluids, or velocity. Additionally, the use of a thermowell permits instrument interchangeability or recalibration without shutting down the process.

*Minimum recommended insertion length ("u" dimension) in liquids is 4 inches and in gases is 6 inches for standard ⅜ x 3" bulb

Model 600A-02 Duratemp® Thermometer

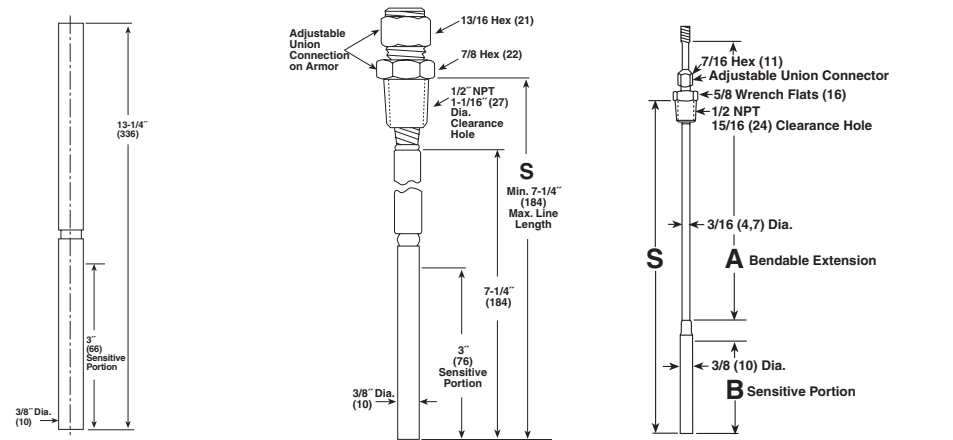
Case Dimensions



| Dial Size Inches | A | B | C | E | F | K | M | S | U | CC | LL |
|------------------|---------------|-------------|---------------|-------------|------------|-------------|-------------|----------|----------|--------|------------------|
| 4 1/2 | 4 1/4 (120.7) | 2 3/16 (56) | 6 1/2 (153) | 5 1/2 (137) | 1 1/2 (41) | 1 1/16 (27) | 4 1/4 (124) | 3/8 (16) | 3/8 (16) | 10-24 | 1/4 (3) 1/2 (13) |
| 6 | 4 1/4 (123.7) | 2 1/4 (57) | 7 1/2 (190.5) | 7 (178) | 2 1/4 (54) | 1 1/16 (27) | 6 1/2 (165) | 3/8 (16) | 3/8 (16) | 1/4-20 | 1/4 (3) 1/2 (13) |
| 8 1/2 | 4 1/4 (120.7) | 2 1/4 (57) | 9 1/2 (253) | 9 1/2 (244) | 2 1/4 (54) | 1 1/16 (27) | 9 (229) | 3/8 (16) | 3/8 (16) | 1/4-20 | 1/4 (3) 1/2 (13) |

NOTE: Dimensions in inches, () are millimeters.

Bulb Style and Armor Dimensions



Style B03
13" plain bulb for applications used in open tanks where pressures and velocities are negligible.

Armor Style A1
AISI 302 stainless steel spring armor is supplied as standard. Originally designed for U.S. Navy Hi Shock thermometers

Style B08
The compression fitting fastens anywhere along the armored line. This bulb style is well suited for insertion requirements in excess of 13 1/2". The B08 style is not a pressure tight connection. A thermowell is recommended for this style and for all bulb styles.

Style B01, B17 & B18
Are bendable extensions with union connections. B01 (12" bendable extension) is the standard Duratemp bulb style and is suitable for a variety of insertion lengths and lagging requirements. B17 is a 18" bendable extension, B18 is a 24" bendable extension. The union connection on all three styles is pressure tight and can be freely moved the entire length of the bendable portion. After installation, the bendable extension may be formed to suit the application.

| Bulb Code | Bulb Size "B" | "A" | "S" Max. | "S" Min. |
|-----------|---------------|----------|----------|----------|
| B01 | 3 (76) | 12 (305) | 15 (381) | 4 (102) |
| B17 | 3 (76) | 18 (457) | 21 (533) | 4 (102) |
| B18 | 3 (76) | 24 (610) | 27 (686) | 4 (102) |