

## Type 1127/1128 Differential Pressure Gauge



Type 1127 Shown

### FEATURES

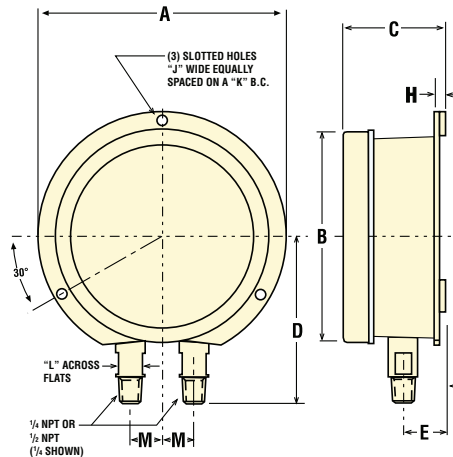
- 4½" & 6" dial size
- 316 Stainless steel or monel Bourdon tube and sockets
- ASME B40.1 Grade 1A (2%-1%-2%).
- Black epoxy coated aluminum case and ring

The Ashcroft® Type 1127/1128 differential pressure gauges display the difference of two separate inputs on one dial indicator. The 1127/1128 is offered with "0" at the 12 o'clock position on the dial with positive pressure on either side of zero. The 1127/1128 has stainless or monel Bourdon tubes. When the process media is corrosive to the gauge wetted parts, diaphragm seals with capillaries are available.

### PRODUCT SPECIFICATIONS

<b>Model Number:</b>	1127/1128
<b>Accuracy:</b>	2%-1%-2% ASME Grade A
<b>Case Style:</b>	Open Front (dry only)
<b>Case Material:</b>	Cast Aluminum, Black Epoxy Coated
<b>Dial Size:</b>	4½" (45), 6" (60)
<b>Dial Material &amp; Color:</b>	White Painted Aluminum with Black Markings
<b>Ring Type:</b>	Aluminum, Hinged, Black Epoxy Coated
<b>Bourdon Tube Material:</b>	316 SS (S); Monel (P)
<b>Socket Material:</b>	316 SS (S); Monel (P)
<b>Connection Size:</b>	¼ NPT only
<b>Connection Location:</b>	Lower (L)
<b>Range Limits:</b>	30-1000 psi
<b>Mounting:</b>	Stem/Surface/Flush
<b>Movement:</b>	Bronze
<b>Pointer:</b>	Black
<b>Window:</b>	Glass
<b>Warranty:</b>	1 Year

### DIMENSIONS



Dial Size Inches	A	B	C	D		E	H	J	K	L		M
				¼ NPT	½ NPT					¼ NPT	½ NPT	
4½	5⅞ (149)	4⅜/₃₂ (126)	27/₁₆ (62)	3⅞/₁₆ (100)	4⅞/₁₆ (103)	1 (25)	5/₁₆ (8)	7/₃₂ (6)	2⅞/₁₆ (68)	9/₁₆ (14)	1⅞/₁₆ (17)	3/₄ (19)
6	7⅞ (194)	6⅞/₁₆ (164)	2½ (64)	4⅞/₁₆ (125)	4⅞/₁₆ (125)	1⅞/₁₆ (27)	5/₁₆ (8)	9/₃₂ (7)	39/₁₆ (90)	9/₁₆ (14)	1⅞/₁₆ (17)	3/₄ (19)

( ) are millimeters

### HOW TO ORDER:

	45	1127	S	02L	0/1000#
1. Dial size-4½"	_____	_____	_____	_____	_____
2. Case type-1127	_____	_____	_____	_____	_____
3. Tube and socket material	_____	_____	_____	_____	_____
4. Connection size-¼ (02)	_____	_____	_____	_____	_____
5. Connection location-Lower (L)	_____	_____	_____	_____	_____
6. Standard pressure range-100 psi	_____	_____	_____	_____	_____

## Type 1127/1128 Differential Pressure Gauge

CASE SELECTION AND MOUNTING						
Dial Size (inches)	Order Code	Case Type	Case: Material Finish	Ring: Material Finish Style	Mounting	Connection
4½" 6"	(45) (60)	1127 1128	Aluminum Black	Aluminum Black Threaded	Stem Surface	Lower

SYSTEM, CONNECTION & LOCATION						
Bourdon Tube & Tip Material	Socket Material	Tube & Socket Code	Case Style	NPT Conn Code	Connection Location & Code	Range Selection Limits (psid)
316 Stainless Steel	316 SS	(S)	Open Front	¼ (02)	Lower (L) Back (B)	20/1000–1127 10/0/10–1128 500/0/500–1128
Monel	Monel	(P)	Open Front	¼ (02)	Lower (L) Back (B)	20/1000–1127 10/0/10–1128 500/0/500–1128

STANDARD RANGES							
Type 1127 (210° dial arc)				Type 1128 (210° dial arc) Zero centered dial			
Pressure Range psid	Figure Interval	Minor Graduation	Static Pressure Limits*	Pressure Range psid	Figure Interval	Minor Graduation	Static Pressure Limits*
0/20	5	0.2	30	10/0/10	2	0.2	30
0/30	5	0.5	60	15/0/15	5	0.5	60
0/60	10	1	120	30/0/30	10	1	120
0/100	10	1	200	50/0/50	10	1	200
0/160	20	2	300	80/0/80	20	2	300
0/200	20	2	300	100/0/100	20	2	300
0/300	50	5	450	150/0/150	50	5	450
0/400	50	5	600	200/0/200	50	5	600
0/600	100	10	900	300/0/300	100	10	900
0/800	100	10	1200	400/0/400	100	10	1200
0/1000	100	10	1500	500/0/500	100	10	1500

\*Maximum pressure that can be admitted into each Bourdon tube.

METRIC RANGES								
	PRESSURE RANGE		DIAL GRADUATIONS		RANGE	DIAL GRADUATIONS		Outer Range When Dual Range Specified psi
	kg/cm2	bar	Figure Interval	Minor Graduation	kPa (kilopascal)	Figure Interval	Minor Graduation	
Type 1127	0/1.4	0/1.4	0.2	0.02	0/140	20	2	0/20
	0/2	0/2	0.5	0.05	0/200	50	5	0/28
	0/4	0/4	0.5	0.05	0/400	50	5	0/55
	0/7	0/7	0.5	0.1	0/400	50	10	0/100
	0/11	0/11	2	0.2	0/1100	200	20	0/160
	0/14	0/14	2	0.2	0/1400	200	20	0/200
	0/20	0/20	5	0.5	0/2000	250	50	0/300
	0/28	0/28	5	0.5	0/2800	500	50	0/400
	0/40	0/40	5	0.5	0/4000	500	50	0/600
	0/56	0/56	10	1	0/5600	1000	100	0/800
	0/70	0/70	10	1	0/7000	1000	100	0/1000
	Type 1128	0.7/0.7	0.7/0.7	0.2	0.02	70/0/70	20	2
1/0/1		1/1	0.5	0.05	100/0/100	50	5	14/0/14
2/0/2		2/2	0.1	0.01	200/0/200	50	5	28/0/28
3.5/0/3.5		3.5/3.5	0.5	0.1	350/0/350	50	10	50/0/50
5.5/0/5.5		5.5/5.5	2	0.2	550/0/550	200	20	80/0/80
7/0/7		7/7	2	0.2	700/0/700	200	20	100/0/100
10/0/10		10/10	5	0.5	1000/0/1000	250	50	150/0/150
14/0/14		14/14	5	0.5	1400/0/1400	500	50	200/0/200
20/0/20		20/20	5	0.5	2000/0/2000	500	50	300/0/300
28/0/28		28/28	10	1	2800/0/2800	1000	100	400/0/400
35/0/35		35/35	10	1	3500/0/3500	1000	100	500/0/500