

Type 1134 – 4½" Low Pressure Differential Gauge



- *Convoluted diaphragm actuator*
- *Stainless steel case*
- *Ranges from 0.6 IWD-60 IWD*
- *Static pressures up to 35 psi*
- *Glass filled nylon body⁽¹⁾*
- *Buna-N seals (others available)*
- *Superior magnets for smoother power motion*
- *Low cost reed switches available*
- *5-year warranty*
- *Flush mounting accessories standard*

The Type 1134 uses a convoluted-diaphragm design with no migration of the process media. It is recommended for low differential inches of water ranges. Body material is glass filled nylon with Buna or silicone.⁽²⁾

NOTES:

- (1) Not for use with incompatible media.
- (2) Other wetted parts include stainless steel spring, Teflon piston and ceramic magnet.

PRODUCT SPECIFICATIONS

Model Number:	1134
Accuracy (Ascending):	±3%
Migration:	Zero
Ranges:	0-0.6 IWD to 60 IWD
Maximum Static Pressure:	35 psi
Case Material:	Stainless steel
Body Material:	Glass filled nylon
Dial Size:	4½" (45)
Maximum Process Temp.:	140°F/60°C
O-Rings/Diaphragm:	Buna-N
Connection Size (Female):	½ NPTF ⁽⁵⁾
Connection Location:	Dual In-Line and Back
Window:	Glass

PRODUCT OPTIONS

Switches^{(1,2):}	Available
Window	
Plastic:	XPD Available
Surface Mount:	XBF Available
Pipe Mounting Bracket:	XTM In-line (only)
EPDM O-Rings:	XEM Available ⁽⁴⁾

- (1) Applicable to switches:
 XV1 – 1 SPST with DIN plug
 XV3 – 2 SPST with DIN plug
 XV5 – 1 SPDT with DIN plug

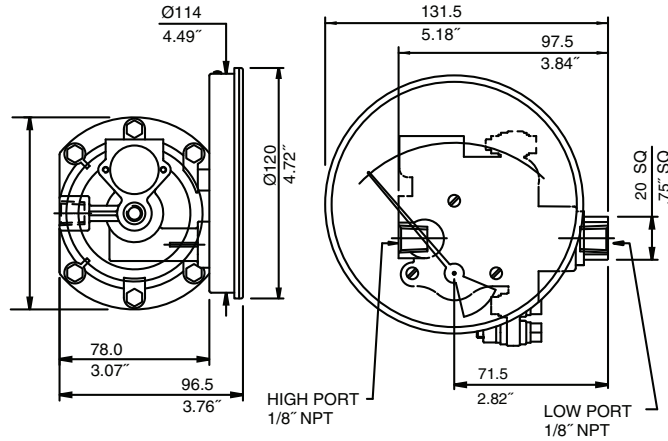
- (2) Adjustable from 40-80% of range
- (4) Only with ranges up to 4IW
- (5) Only available with ½ NPTF connection

HOW TO ORDER:

	45	1134	ED	RQ	M	XXX	2IWD
Dial Size: 4½"	_____	_____	_____	_____	_____	_____	_____
Case Type Number: 1134	_____	_____	_____	_____	_____	_____	_____
Body Material: Nylon	_____	_____	_____	_____	_____	_____	_____
Connection Size: ½ NPT	_____	_____	_____	_____	_____	_____	_____
Connection Location: Dual In-Line and Back (M)	_____	_____	_____	_____	_____	_____	_____
Variations:	_____	_____	_____	_____	_____	_____	_____
Range: 2 IWD	_____	_____	_____	_____	_____	_____	_____

Type 1134 – 4½" Low Pressure Differential Gauge

Type 1134 Dimension Drawing



This instrument with its off-center profile can still be easily inserted in a 115 mm panel cutout.

Type 1134 Standard Ranges

Pressure – Single Scale in. H ₂ O		
Range*	Minor Grad.	First Grad.
0/0.6	.02	0.10
0/1	.02	.12
0/2	.04	.20
0/3	.10	.30
0/4	.10	.40
0/5	.10	.50
0/6	.20	.60
0/8	.20	.80
0/10	.25	1.0
0/15	.30	1.5
0/20	.50	2.0
0/25	.50	2.5
0/30	.60	3.0
0/40	.80	4.0
0/50	1.0	5.0
0/60	1.0	5.0

*Metric, dual or special ranges on application.

Standard Accessories:

- Two nylon 3/16" hose barb tube adapters
- Flush mounting kit
- Two plugs for sealing connections not in use

Ratings for Standard Switches:

SPST SWITCH

Specifications:

- Contact Rating: 10 VA ac (rms) or dc (max)
- Switching Current: 0.5 Amp ac (rms) or dc (max)
- Switch Voltage: 100 Vac/Vdc (max)

SPDT SWITCH

Specifications:

- Contact Rating: 3 VA ac (rms) or dc (max)
- Switching Current: 0.3 Amp ac (rms) or dc (max)
- Switch Voltage: 30 Vac/Vdc (max)