

## Type 5503 Differential Pressure Gauge



- $\pm 1.6\%$  full scale accuracy
- *Stainless steel case*
- *Nace compliant option*
- *Available with custom flow monitoring dials*
- *1450 psi static pressure standard with optional static pressure to 5801 psi*
- *External zero adjust*
- *Optional liquid-filled case*
- *4" (100mm) or 6" (160mm) dial sizes*

The Ashcroft® Type 5503 differential pressure gauge is available with ranges from 16 I.W.D. to 600 psi with optional static pressure to 5801 psi. Optional wetted parts includes Hastelloy C. Typical applications include chemical, petrochemical power, food & beverage and the pulp and paper industries.

### PRODUCT SPECIFICATIONS

<b>Model Number:</b>	5503
<b>Accuracy:</b>	$\pm 1.6\%$ full scale
<b>Dial Size:</b>	4" (100mm) or 6" (160mm)
<b>Ranges:</b>	0-30 IWD (inches of water differential) to 300 psid
<b>Static Pressure:</b>	1450 psi standard Optional 3625 psi ranges <10 psid 5801 psi ranges >10 psid
<b>Case Material:</b>	304 SS open front case with a bayonet ring; (316 SS case and ring optional)
<b>Window:</b>	Shatterproof glass
<b>Dial:</b>	White painted aluminum
<b>Pointer:</b>	Black painted aluminum with external adjust feature standard (to 25% of range)
<b>Diaphragm Material:</b>	316 stainless steel for ranges of 15 psi and below. High strength cobalt alloy (Duratherm 600) for ranges of 10 psi and above
<b>Housing Material:</b>	316 SS with a Viton® O-ring
<b>Mounting:</b>	Stem, wall or pipe
<b>Connection Size:</b>	¼, ½ NPT
<b>Purge &amp; Bleed Connection:</b>	Standard on top of each pressure chamber (G½ with plug)
<b>Connection Location:</b>	Lower

### HOW TO ORDER (Typical example)

	<b>10</b>	<b>5503</b>	<b>S</b>	<b>S</b>	<b>02L</b>	<b>XXX</b>	<b>0/100</b>	<b>psid</b>
<b>Dial Size:</b> 100mm (10), 160mm (16)	_____	_____	_____	_____	_____	_____	_____	_____
<b>Case Type:</b> 5503	_____	_____	_____	_____	_____	_____	_____	_____
<b>Diaphragm:</b> (S) 316 SS	_____	_____	_____	_____	_____	_____	_____	_____
<b>Housing, Socket:</b> (S) 316 SS	_____	_____	_____	_____	_____	_____	_____	_____
<b>Connection Size, Location:</b> ¼ (02), ½ (04), Lower (L)	_____	_____	_____	_____	_____	_____	_____	_____
<b>Options:</b>	_____	_____	_____	_____	_____	_____	_____	_____
<b>Range:</b> 0/100 psid	_____	_____	_____	_____	_____	_____	_____	_____

### OPTIONAL FEATURES

316 SS case and ring	(XYW)
Glycerin fill - Standard	(L)
Silicone fill - Optional	(XGV)
Weatherproof/Hermetically sealed case (IP65)	(XLJ)
Static pressure to	(XSP)
3625 psi (ranges <10 psid)	
5801 psi (ranges >10 psid)	
Wall mounting bracket	(XFW)
Pipe mounting bracket	(XTM)
(Available for ranges 5 psid and above.)	
3-way manifold	(X43)
Hastelloy C diaphragm with 316 SS housing <sup>(1)</sup>	(HS)
Hastelloy C diaphragm and housing	(HH)
Ranges 60 psid and above	
NACE compliant	
Electric Warning Contacts <sup>(2)</sup>	
High and Low	(XED)
Double High	(XEE)
Double Low	(XEF)
Oxygen cleaning	(X6B)

<sup>(1)</sup> Only available with 1450 psi static pressure.

<sup>(2)</sup> Specify contact arrangement.

Specify if magnetic or inductive contacts.

### Temperature Limits

Process: -20/185°F

Ambient: -20/185°F

Storage: -20/185°F

Viton® is a registered trademark of DuPont Co.

### STANDARD RANGE TABLE\*

psid	mBar	bar	I.W.D.
3	40	0.6	10
5	60	1.0	30
10	100	1.6	60
15	160	2.5	100
30	250	4	200
60	400	6	
100		10	
160		16	
200		25	
300			
400			
600			

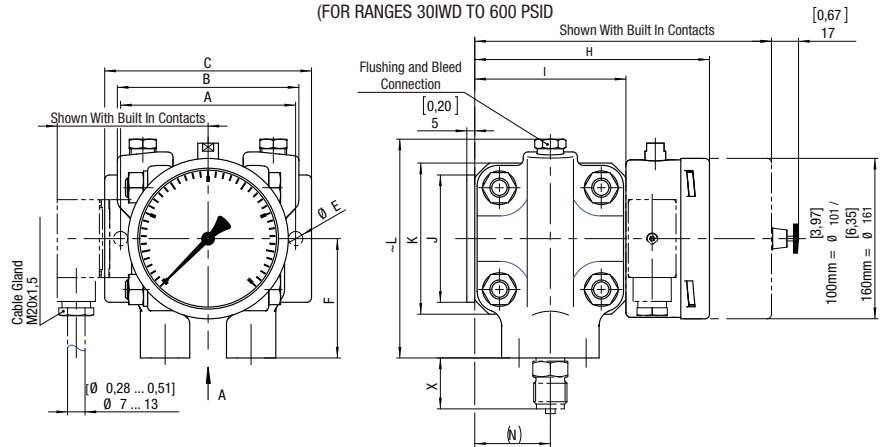
### WEIGHT (lbs)

	100mm	160mm
<b>For ranges <math>\leq 5</math> psid</b>		
Dry	20	21
Liquid Filled	21	22
<b>For ranges <math>\geq 10</math> psid</b>		
Dry	9	10
Liquid Filled	10	11

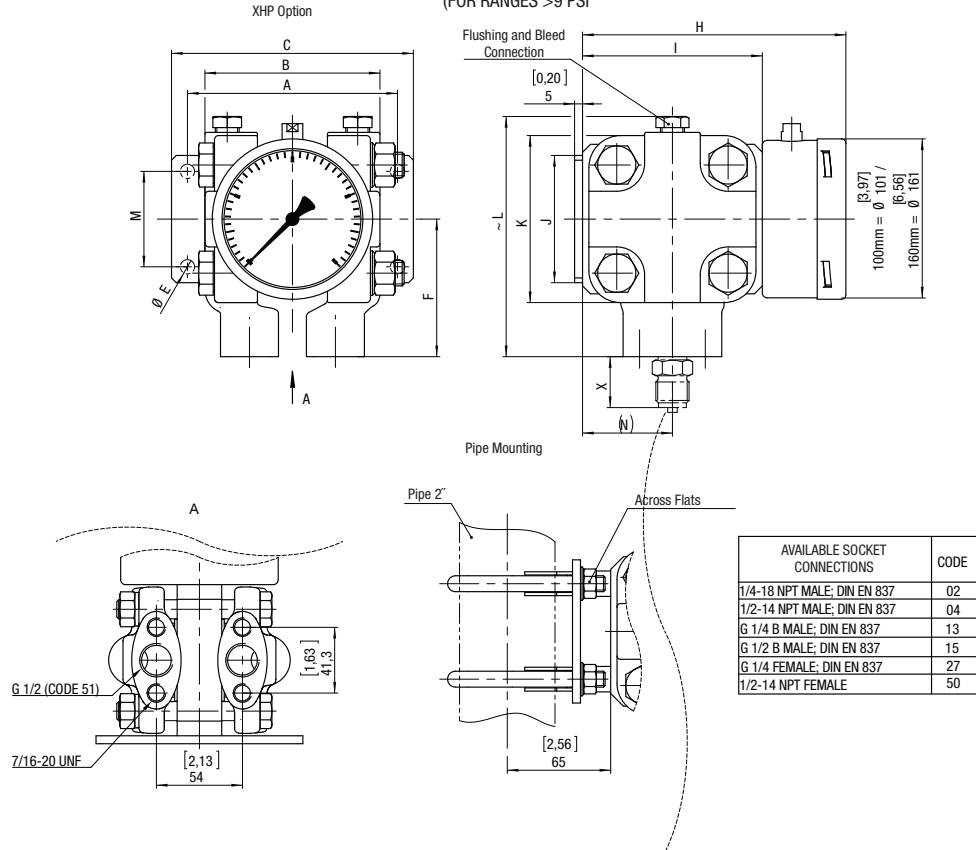
## Type 5503 Differential Pressure Gauge

### DIMENSIONS

FOR MAXIMUM STATIC PRESSURE 1450 PSI  
(FOR RANGES 30IWD TO 600 PSID)



FOR MAXIMUM STATIC PRESSURE 5801 PSI  
(FOR RANGES >9 PSI)



AVAILABLE SOCKET CONNECTIONS	CODE
1/4-18 NPT MALE; DIN EN 837	02
1/2-14 NPT MALE; DIN EN 837	04
G 1/4 B MALE; DIN EN 837	13
G 1/2 B MALE; DIN EN 837	15
G 1/4 FEMALE; DIN EN 837	27
1/2-14 NPT FEMALE	50

	A	B	C	D	E	F	G	H	I	J	K	~L	M	(N)
60 ÷ 400 mbar MAX. PN100	[5,20] 132	[4,25] 108	[5,98] 152	[4,72] 120	[0,35] 4 x Ø 9	[3,94] 100	[9,43] 239,5	[7,62] 193,5	[5,55] 141	[3,15] 80	[5,55] 141	[7,11] 181	[2,36] 60	[2,78] 70,5
MAX. PN250	[6,69] 170	[5,83] 148	[7,87] 200	-	[0,43] 4 x Ø 11	[4,72] 120	-	[8,96] 227,5	[6,89] 175	[3,94] 100	[6,69] 170	[8,62] 219	[2,36] 60	[3,44] 87,5
0.6 ÷ 25 bar MAX. PN400	[5,20] 132	[4,33] 110	[5,98] 152	-	[0,35] 2 x Ø 9	[3,41] 86,5	-	[6,52] 165,5	[4,45] 113	[3,15] 80	[4,13] 105	[5,94] 151	-	[2,22] 56,5