

Type 80 Wafer and Type 81 Bolt-Thru Isolation Ring

FEATURES

- Selection of 2" through 20" Nominal Pipe Size
- Non-Clogging/Low Maintenance
- Complete Instrument Protection
- Ensure Reliable/Accurate Pressure Readings
- Optional Retrofit Flange to Replace Competitive Units

APPLICATIONS

Wafer and Bolt-Thru models provide a solution to applications where plugging is a persistent problem. The durable "ring-like" design eliminates process build-up, ensuring reliable and accurate pressure measurement. The innovative patent

pending Safe Quick Release™ (SQR™) allows safe, in-process instrument removal without loss of fill fluid and eliminates the need to shut down the process pressure. Ashcroft also offers a comprehensive line of diaphragm seals.

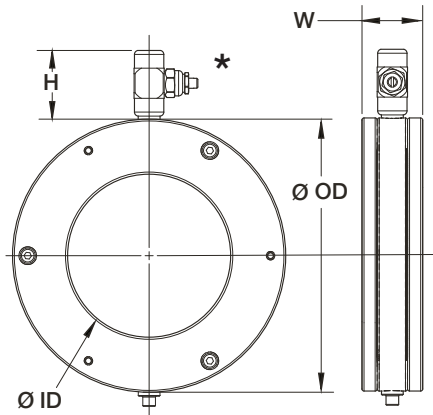
SPECIFICATIONS

Type/Size:	80 Wafer / 2" to 20" 81 Bolt-Thru / 2" to 10"
Flexible Liner:	Buna, Teflon®, EPDM, Natural Rubber and Viton®
Liner Process Temperature Limits:	Buna-N -30/225°F (-34/107°C) Teflon -15/350°F (-25/177°C) Viton -15/350°F (-25/177°C) Natural Rubber -30/225°F (-34/107°C) EPDM -40/300°F (-40/149°C)
Flange Material:	316L SS, Carbon Steel
Flange (Bolt-Thru):	Class 150, 300 (Type 80 wafer design compatible with class 150 & 300 flanges).
Body:	316L SS, Carbon Steel
Instrument Connection Size:	¼, ½ NPT
Fill Fluids:	Glycerin 0/400°F (0/204°C) Silicone (10Cst): -40/500°F (-40/260°C) Silicone (50Cst): -40/600°F (-40/316°C) Halocarbon -70/300°F (-57/149°C)
<i>Consult Factory for Additional Fluids</i>	
OPTIONS	Code
All Welded Assembly	DU
Retrofit Flange	IR
Safe Quick Release™ (SQR™)	Q
Needle Valve	V
Needle Valve & Safe Quick Release™ (SQR™)	Z



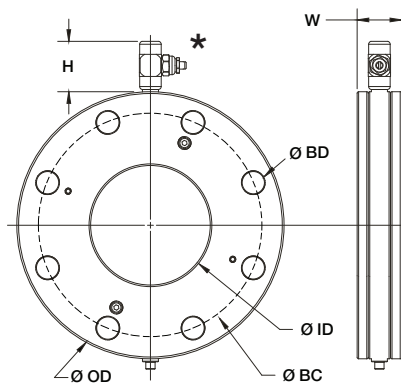
Type 80 Wafer and Type 81 Bolt-Thru Isolation Ring

Type 80 Wafer Isolation Ring



Nominal Pipe Size	Inner Diameter (ID)	Outer Diameter (OD)	Width (W)	Instrument Removal (H)			Weight Lbs.
				Direct	Safe Quick Release	Needle Valve	
2"	2.07	4.00	2.00	1.89	2.04	1.70	4.0
3"	3.07	5.25	2.00	1.89	2.04	1.70	6.3
4"	4.03	6.75	1.50	1.89	2.04	1.70	8.0
6"	6.07	8.63	1.50	1.89	2.67	2.32	10.2
8"	7.98	10.88	1.50	2.39	2.67	2.32	14.9
10"	10.02	13.25	1.50	2.39	2.67	2.32	21.3
12"	12.00	16.00	1.75	2.39	2.67	2.32	39.1
14"	13.25	17.63	1.75	2.89	3.17	2.82	47.8
16"	15.25	20.13	1.75	2.89	3.17	2.82	61.8
18"	17.25	21.50	1.75	2.89	3.67	3.32	58.0
20"	19.25	23.75	1.75	2.89	3.67	3.32	68.6

Type 81 Bolt-Thru Isolation Ring



ANSI ASME Class	Nom. Pipe Size	Inner Dia. (ID)	Outer Dia. (OD)	Width (W)	Bolt Circle (BC)	Bolt Dia. (BD)	No. Of Bolt Holes	Instrument Removal (H)			Weight Lbs.
								Direct	Safe Quick Release	Needle Valve	
150	2"	2.07	6.00	2.00	4.75	0.75	4	0	2.04	1.70	12.0
	3"	3.07	7.50	2.00	6.00	0.75	4	0	2.04	1.70	18.4
	4"	4.03	9.00	1.50	7.50	0.75	8	0	2.04	1.70	18.6
	6"	6.07	11.00	1.50	9.50	0.88	8	0	2.04	1.70	23.9
	8"	7.98	13.50	1.50	11.75	0.88	8	0	2.04	1.70	34.5
	10"	10.02	16.00	1.50	14.25	1.00	12	0	2.04	1.70	44.5
300	2"	2.07	6.50	2.00	5.00	0.75	8	0	2.04	1.70	13.8
	3"	3.07	8.25	2.00	6.62	0.88	8	0	2.04	1.70	22.0
	4"	4.03	10.00	1.50	7.88	0.88	8	0	2.04	1.70	24.5
	6"	6.07	12.50	1.50	10.62	0.88	12	0	2.04	1.70	34.9
	8"	7.98	15.00	1.50	13.00	1.00	12	0	2.04	1.70	47.1
10"	10.02	17.50	1.50	15.25	1.13	16	0	2.04	1.70	58.8	

Order Information

★NEEDLE VALVE SHOWN

TYPE	NOMINAL PIPE SIZE	FLEXIBLE LINER	FLANGE	BODY	INSTRUMENT CONNECTION	INSTRUMENT REMOVAL OPTION	FLANGE CLASS (Type 81 Only)	FILL FLUID OPTIONS	ADDITIONAL OPTIONS
(80) Wafer	(02) 2" NPS	(E) Buna N	(B) Carbon Steel	(B) Carbon Steel	(02T) 1/8" NPT	(N) None	(000) No Flange	(CG) Glycerin	(IR) Retrofit Flange
(81) Bolt-Thru*	(03) 3" NPS	(T) Teflon*	(S) 316L SS	(S) 316L SS	(04T) 1/8" NPT	(V) Valve/Needle	(150) Class 150*	(CK) Silicone 50 CTS	(DU) All Welded Stem Assembly
	(04) 4" NPS	(P) EPDM				(Q) Safe Quick Release (SQR)	(300) Class 300*	(CF) Halocarbon	Only offered with SS hub; no Safe Quick Release™ (SQR™) or Needle Valve
	(06) 6" NPS	(R) Natural Rubber				(Z) Needle Valve with Safe Quick Release		(FJ) Silicone 10 Cst	
	(08) 8" NPS	(Y) Viton						(NF) No Fill	(NH) Wired Tag
	(10) 10" NPS								
	(12) 12" NPS	* N/A in sizes larger than 10"							
	(14) 14" NPS								
	(16) 16" NPS								
	(18) 18" NPS								
	(20) 20" NPS								
	Consult factory for sizes larger than 20"						* Type 81 Only		

Order Coding Example

SPECIFY IF OPTIONS

80	02	E	S	S	02T	Q	000	X	CG	IR
----	----	---	---	---	-----	---	-----	---	----	----