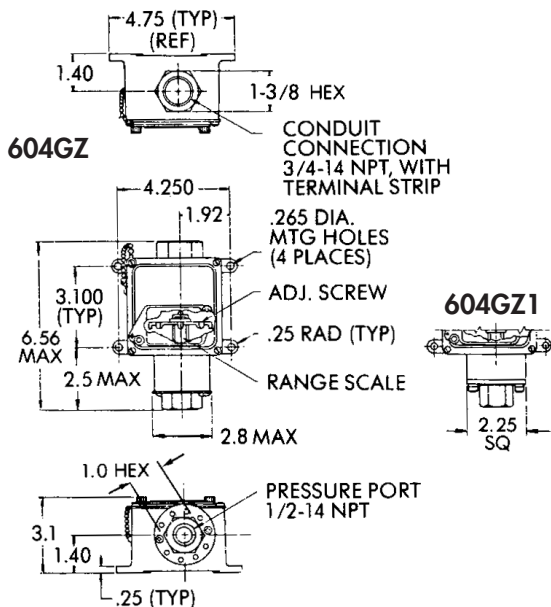


INSTALLATION DRAWING



604GZ & 604GZ-7011
SHIPPING WT.
APPROX. 52 OZ.
(1474 GRAMS)

Press. **.3** to **5000** psi

**SERIES:
604GZ
604GZ-7011**

Standard Features:

- U.L. Listed
- NEMA: 4, 13
- Weatherproof
- Internal Case Ground
- Fire Resistant
- Steel Body

AMBIENT TEMP. RANGE

-30° to 160° F
-34° to 71° C

OPERATING AND ORDERING DATA:

PRESSURE SWITCHES MODEL 604GZ		1/2" STAINLESS STEEL PRESSURE PORT & POLYIMIDE DIAPHRAGM			Wetted Parts	316 SST Polyimide Viton
Max Sys. Press. psi	Proof (Test) Press. psi	Adjustable Set-Point Range		Approx. Dead-band psi	MODEL SPDT-Std.	MODEL DPDT "M"
		On Incr. Press. psi	On Decr. Press. psi			
500	750	1.2-16	.4-15.2	.8	604GZ1	604GZM1
3000	5000	8-75	3-70	5	604GZ2	604GZM2
3000	5000	20-150	8-138	12	604GZ11	604GZM11
3000	5000	50-375	22-347	28	604GZ3	604GZM3
3000	5000	330-1000	265-935	65	604GZ5	604GZM5
3000	5000	950-2300	775-2125	175	604GZ7	604GZM7

PRESSURE SWITCHES MODEL 604GZ-7011		1/2" STAINLESS STEEL PRESSURE PORT & POLYIMIDE DIAPHRAGM			Wetted Parts	316 SST Viton
Max Sys. Press. psi	Proof (Test) Press. psi	Adjustable Set-Point Range		Approx. Dead-band psi	MODEL SPDT-Std.	MODEL DPDT "M"
		On Incr. Press. psi	On Decr. Press. psi			
500	750	1.4-16	.4-15	1	604GZ1-7011	604GZM1-7011
3000	5000	10-75	3-68	7	604GZ2-7011	604GZM2-7011
3000	5000	20-150	6-136	14	604GZ11-7011	604GZM11-7011
3000	5000	50-375	16-347	34	604GZ3-7011	604GZM3-7011
3000	5000	330-1000	250-920	80	604GZ5-7011	604GZM5-7011
3000	5000	950-2300	750-2100	200	604GZ7-7011	604GZM7-7011
5000	7500	2100-3400	1820-3120	280	604GZ9-7011	604GZM9-7011
5000	7500	3200-5000	2720-4520	480	604GZ10-7011	604GZM10-7011

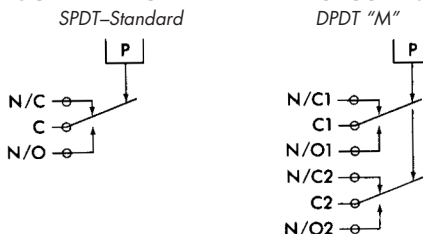
Options Code:

- "E" Ethylene Propylene O-ring
- "J" CSA Approved File No. LR22665
- "7008" Gold Contacts
- "7030" Gold Contacts w/SST Diaphragm
- "7044" Monel Port and Diaphragm
- "7045" Hastelloy Port and Diaphragm

ELECTRICAL CHARACTERISTICS:
RATING OF SWITCH ELEMENT

VOLTS	AMPERES	
	SPDT	DPDT "M"
125 AC - 50/60 Hz	15	5
250 AC - 50/60 Hz	15	5
480 AC - 50/60 Hz	15	—
28 DC	6	5
125 DC	.4	.5

SCHEMATIC AND WIRING CODE:



ENCLOSURE/CERTIFICATIONS:

All Models shown are Underwriter's Laboratories, Inc. listed in the Recognized Components Index, Guide NKPZ "Motor Controllers, Float and Pressure Operated," File No. E72038.

Model 604GZM1 has an approximate dead band of .9 psi.

HOW TO ORDER: Specify model number, add desired "options" listing letter codes first followed by numbers:
Custom Control Sensors, Inc. • 21111 Plummer Street, Chatsworth, CA 91311 • Tel: (818)341-4610 • Fax: (818)709-0426
e-mail: switchnet@ccsdualsnap.com • http://www.ccsdualsnap.com