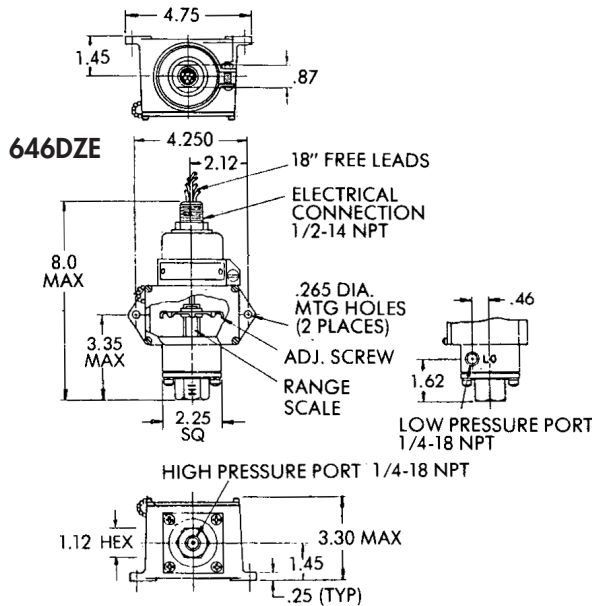


INSTALLATION DRAWING



SHIPPING WT.
APPROX. 60 OZ.
(1700 GRAMS)

Diff. .4 to 75 psid

**SERIES:
646DZE**

Standard Features:

- U.L./CSA
Explosion Proof: Div. 1, 2
- NEMA: 4, 7, 9, 13
- Fire Resistant
Steel Body

AMBIENT TEMP. RANGE

-30° to 160° F
-34° to 71° C

OPERATING AND ORDERING DATA:

DIFFERENTIAL SWITCHES MODEL 646DZE		1/4" STAINLESS STEEL PRESSURE PORTS & POLYIMIDE DIAPHRAGM		Wetted Parts		300 SST Polyimide, Viton		
Max Sys. Press. psi	Proof (Test) Press. psi	Adjustable Set-Point Range		Approx. Dead- band psi	Model Number			
High Press. Port	Low Press. Port	Both Ports Simul- taneous	High Over Low High		MODEL SPDT-Std.	MODEL DPDT "M"		
400	750	750	400	1.2 to 18 6 to 75	.4 to 17.2 2 to 71	.8 4	646DZE1 646DZE2	646DZEM1 646DZEM2

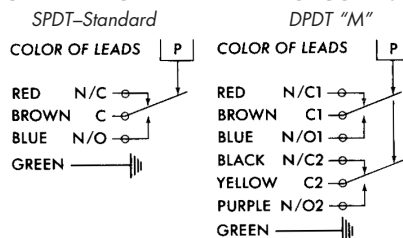
Options Code:

- "E" Ethylene Propylene O-ring
- "Y" EECS Certified to EXsII T5
- "7008" Gold Contacts
- "7011" SST Diaphragm
- "7030" Gold Contacts w/SST Diaphragm
- "7065" Teflon Wire w/SST Diaphragm

ELECTRICAL CHARACTERISTICS:
RATING OF SWITCH ELEMENT

VOLTS	AMPERES	
	SPDT	DPDT "M"
125 AC - 50/60 Hz	15	5
250 AC - 50/60 Hz	15	5
480 AC - 50/60 Hz	15	—
125 DC	.4	.5

SCHEMATIC AND WIRING CODE:



ENCLOSURE/CERTIFICATIONS:

Div. 1 explosion-proof and hermetically sealed electrical assembly Part No. 17-51 (17-73 for "M" model option), listed by both Underwriter's Laboratories, Inc. (File No. E32961) and CSA Testing Laboratories (File No. 22921) for hazardous locations, Class 1, Groups A, B, C, and D; Class 2 Groups E, F, and G.

Model 646DZEM1 has an approximate dead band of .9 psi.

HOW TO ORDER: Specify model number, add desired "options" listing letter codes first followed by numbers:
Custom Control Sensors, Inc. • 21111 Plummer Street, Chatsworth, CA 91311 • Tel: (818)341-4610 • Fax: (818)709-0426
e-mail: switchnet@ccsdualsnap.com • http://www.ccsdualsnap.com