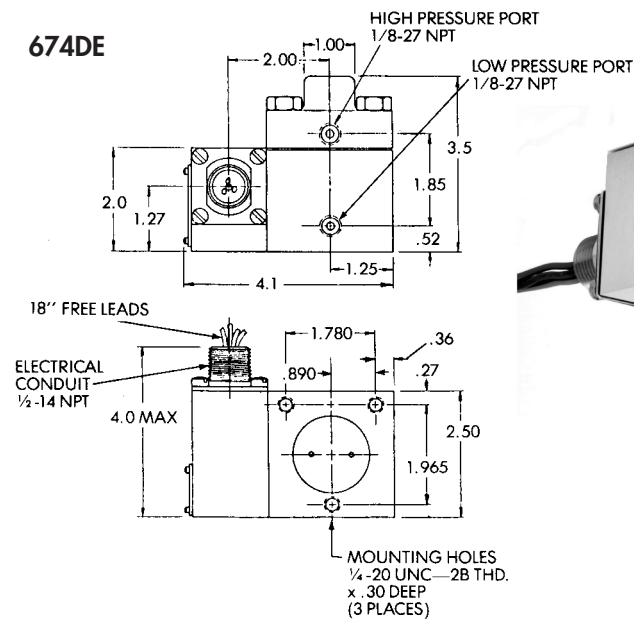


INSTALLATION DRAWING



SHIPPING WT.
APPROX. 47 OZ.
(1332 GRAMS)

Diff. **2 to 800** psid

**SERIES:
674DE**

Standard Features:

- U.L./CSA
- Explosion Proof: Div. 1, 2
- NEMA: 4, 7, 9, 13

AMBIENT TEMP. RANGE

-30° to 160° F
-34° to 71° C

OPERATING AND ORDERING DATA:

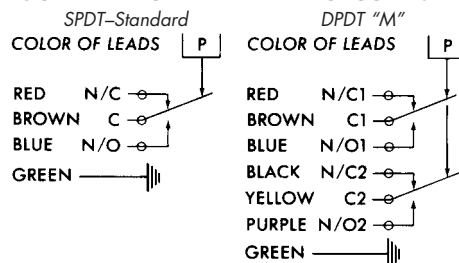
DIFFERENTIAL SWITCHES MODEL 674DE		1/8" ALUMINUM PRESSURE PORT & POLYIMIDE DIAPHRAGM		Wetted Parts	Aluminum Polyimide	Buna N, 300 SST	Options Code:		
Max Sys. Press. psi	Proof (Test) Press.		Setting Ranges — For Customer Specified Set Points				Model Number		
	Both Ports Simul- aneous	High Over Low Over High	Fixed Set Point Range		Approx. Dead Band		MODEL SPDT—Std.	MODEL DPDT "M"	
			On Incr. Press. psi	On Decr. Press. psi	At Bottom of Range psi	At Top of Range psi			
3000	4500	2500	2500	7 to 80 81 to 350 351 to 800	2 to 68 66 to 297 291 to 680	5 14 60	12 52 120	674DE1 674DE2 674DE3	674DEM1 674DEM2 674DEM3

- "F" Ethylene Propylene O-ring
- "7008" Gold Contacts
- "7065" Exp. Proof w/Teflon Wire

ELECTRICAL CHARACTERISTICS:
RATING OF SWITCH ELEMENT

VOLTS	AMPERES	
	SPDT Res.	DPDT "M" Res.
125 AC - 50/60 Hz	11	11
250 AC - 50/60 Hz	11	11
30 DC	5	5
125 DC	.5	.5

SCHEMATIC AND WIRING CODE:



ENCLOSURE/CERTIFICATIONS:

Div. 1 explosion-proof and hermetically sealed electrical assembly Part No. 46-1058 (46-1061 for "M" model option), listed by both Underwriter's Laboratories, Inc. (File No. E32961) and CSA Testing Laboratories (File No. 22921) for hazardous locations, Class 1, Groups A, B, C, and D; Class 2 Groups E, F, and G.

HOW TO ORDER: Specify model number, add desired "options" listing letter codes first followed by numbers:
Custom Control Sensors, Inc. • 21111 Plummer Street, Chatsworth, CA 91311 • Tel: (818)341-4610 • Fax: (818)709-0426
e-mail: switchnet@ccsdualsnap.com • http://www.ccsdualsnap.com