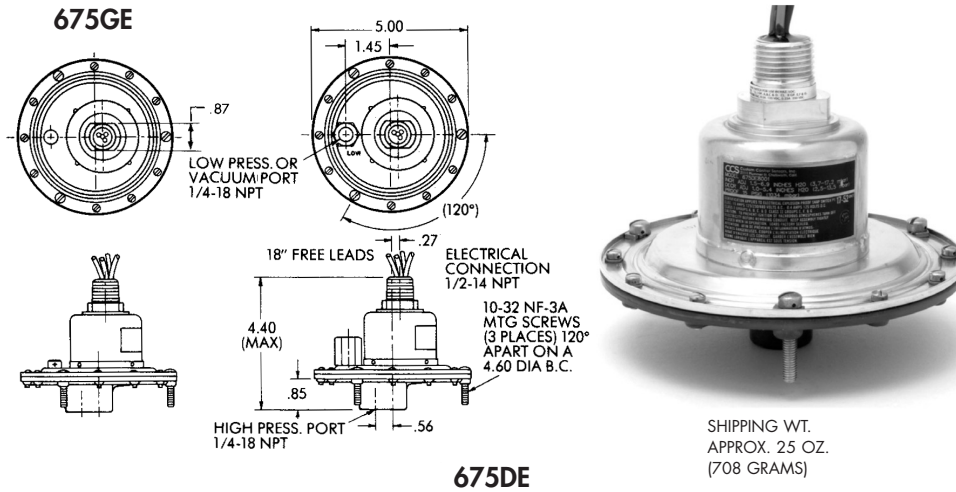


**INSTALLATION DRAWING**



Press. **.8" to 30"** H<sub>2</sub>O  
Diff. **.8" to 30"** H<sub>2</sub>O  
Vac. **.8" to 30"** H<sub>2</sub>O

**SERIES:**  
**675GE**  
**675DE**  
**675VE**

**Standard Features:**

- U.L./CSA
- Explosion Proof: Div. 1, 2
- NEMA: 4, 7, 9, 13

**AMBIENT TEMP. RANGE**

-30° to 160° F  
-34° to 71° C

**OPERATING AND ORDERING DATA:**

| PRESSURE SWITCHES<br>MODEL 675GE     |                                  | 1/4" ALUMINUM<br>PRESSURE PORT &<br>POLYIMIDE DIAPHRAGM |  | Wetted<br>Parts                               | Aluminum,   | Polyimide<br>Buna N,<br>300 SST               |  |                    |                   |
|--------------------------------------|----------------------------------|---|--|---|---|---|--|--------------------|-------------------|
| Max<br>Sys.<br>Press.<br>psi         | Proof<br>(Test)<br>Press.<br>psi | Setting Ranges — For Customer Specified Set Points      |  |   |   | Model Number                                  |  |                    |                   |
|                                      |                                  | Fixed Set Point Range                                   |  | Approx. Dead Band                             |   | MODEL<br>SPDT-Std.                            | MODEL<br>DPDT "M"                          |                    |                   |
|                                      |                                  | On Incr.<br>Press.<br>In. H <sub>2</sub> O              | On Decr.<br>Press.<br>In. H <sub>2</sub> O | At Bottom<br>of Range<br>In. H <sub>2</sub> O | At Top<br>of Range<br>In. H <sub>2</sub> O  |   |  |                    |                   |
| 10                                   | 15                               | 1.5-30  | .8-27                                      | .7  | 3.0   | 675GE1  | 675GEM1                                    |                    |                   |
| DIFFERENTIAL SWITCHES<br>MODEL 675DE |                                  | 1/4" ALUMINUM<br>PRESSURE PORT &<br>POLYIMIDE DIAPHRAGM |  | Wetted<br>Parts                               | Aluminum, Polyimide,<br>Buna N, 300 SST, Tin Plated<br>Steel, Silver Plated Beryllium<br>Copper and Brass |   |  |                    |                   |
| High<br>Press.<br>Port<br>psi        | Low<br>Press.<br>Port<br>psi     | High<br>Press.<br>Port<br>psi                           | Low<br>Press.<br>Port<br>psi               | On Incr.<br>Press.<br>In. H <sub>2</sub> O    | On Decr.<br>Press.<br>In. H <sub>2</sub> O  | At Bottom<br>of Range<br>In. H <sub>2</sub> O | At Top<br>of Range<br>In. H <sub>2</sub> O | MODEL<br>SPDT-Std. | MODEL<br>DPDT "M" |
| 10                                   | 10                               | 15  | 15   | 1.5-30  | .8-27   | .7  | 3.0  | 675DE1             | 675DEM1           |
| VACUUM SWITCHES<br>MODEL 675VE       |                                  | 1/4" ALUMINUM<br>PRESSURE PORT &<br>POLYIMIDE DIAPHRAGM |  | Wetted<br>Parts                               | Aluminum, Polyimide,<br>Buna N, 300 SST, Tin Plated<br>Steel, Silver Plated Beryllium<br>Copper and Brass |   |  |                    |                   |
| Max<br>System<br>Press.<br>psi       | Proof<br>(Test)<br>Press.<br>psi | On Incr.<br>Vacuum<br>In. H <sub>2</sub> O              | On Decr.<br>Vacuum<br>In. H <sub>2</sub> O | At Bottom<br>of Range<br>In. H <sub>2</sub> O | At Top<br>of Range<br>In. H <sub>2</sub> O  | MODEL<br>SPDT-Std.                            | MODEL<br>DPDT "M"                          |                    |                   |
| 10                                   | 15                               | 1.5-30  | .8-27                                      | .7  | 3.0   | 675VE1  | 675VEM1                                    |                    |                   |

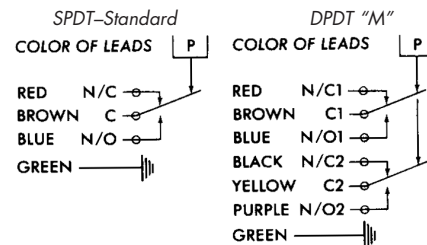
**Options Code:**

- "A" Viton O-ring
- "7008" Gold Contacts
- "7076" Teflon Wire

**ELECTRICAL CHARACTERISTICS:**  
RATING OF SWITCH ELEMENT

| VOLTS             | AMPERES |          |
|-------------------|---------|----------|
|                   | SPDT    | DPDT "M" |
|                   | Res.    | Res.     |
| 125 AC - 50/60 Hz | 15      | 5        |
| 250 AC - 50/60 Hz | 15      | 5        |
| 480 AC - 50/60 Hz | 15      | —        |
| 125 DC            | .4      | .5       |

**SCHEMATIC AND WIRING CODE:**



**ENCLOSURE/CERTIFICATIONS:**

Div. 1 explosion-proof and hermetically sealed electrical assembly Part No. 17-52 (17-283 for "M" model option), listed by both Underwriter's Laboratories, Inc. (File No. E32961) and CSA Testing Laboratories (File No. 22921) for hazardous locations, Class 1, Groups A, B, C, and D; Class 2 Groups E, F, and G.

Models 675GEM1, 675DEM1, and 675VEM1 have an approximate dead band of 1.5 In. H<sub>2</sub>O.

**HOW TO ORDER:** Specify model number, add desired "options" listing letter codes first followed by numbers: Custom Control Sensors, Inc. • 21111 Plummer Street, Chatsworth, CA 91311 • Tel: (818)341-4610 • Fax: (818)709-0426  
e-mail: switchnet@ccsdualsnap.com • http://www.ccsdualsnap.com