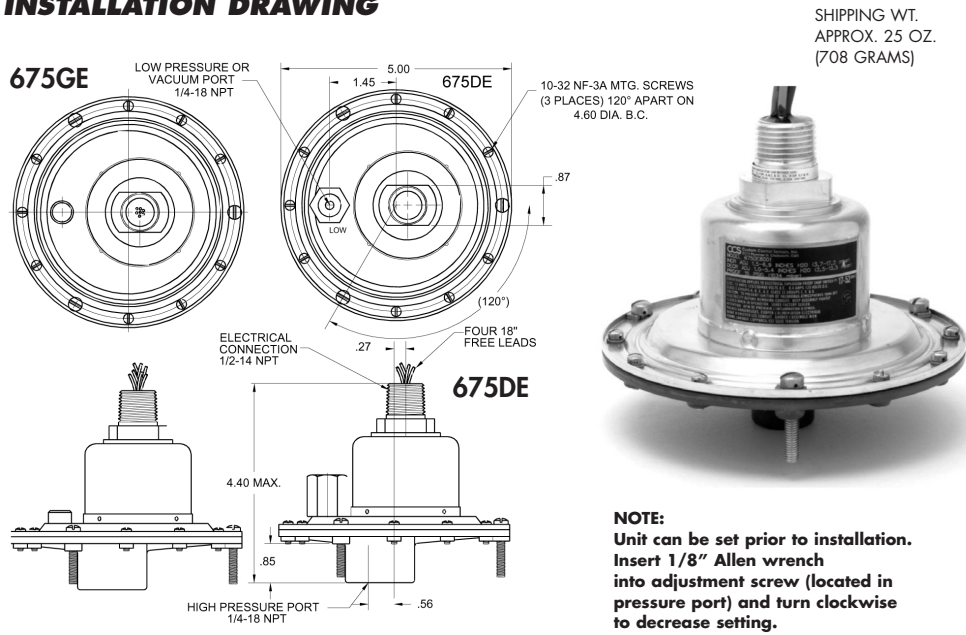


INSTALLATION DRAWING



Press. **.2" to 31" H₂O**
Diff. **.2" to 31" H₂O**

SERIES:
675GE800*
675DE800*

Standard Features:

- U.L./CSA
Explosion Proof: Div. 1, 2
- NEMA: 4, 7, 9, 13

AMBIENT TEMP. RANGE

-30° to 160° F
-34° to 71° C

NOTE:
Unit can be set prior to installation. Insert 1/8" Allen wrench into adjustment screw (located in pressure port) and turn clockwise to decrease setting.

OPERATING AND ORDERING DATA:

PRESSURE SWITCHES MODEL 675GE800*		Adjustable Set-Point Range		Approx. Dead-band In. H ₂ O	Model No. & Wetted Parts	
Max Sys. Press. psi	Proof (Test) Press. psi	On Incr. Press. In. H ₂ O	On Decr. Press. In. H ₂ O		MODEL	Wetted Parts
10	15	1.5-6.9	0.2-5.6	1.3	675GE8001	Aluminum, Polyimide, Buna N, 300 SST
		7-12.9	5.5-11.4	1.5	675GE8002	
		13-18.9	11-16.9	2.0	675GE8003	
		19-24.9	16.5-22.4	2.5	675GE8004	
		25-31	22.5-28	3.0	675GE8005	
		2-6.9	0.2-5.1	1.8	675GEM8001	
		7-12.9	5-10.9	2.0	675GEM8002	
		13-18.9	10.8-16.7	2.2	675GEM8003	
		19-24.9	16.5-22.4	2.5	675GEM8004	
		25-31	22.5-28	3.0	675GEM8005	
PRESSURE SWITCHES MODEL 675DE800*		Adjustable Set-Point Range		Approx. Dead-band In. H ₂ O	Model No. & Wetted Parts	
Max Sys. Press. psi	Proof (Test) Press. psi	On Incr. Press. In. H ₂ O	On Decr. Press. In. H ₂ O		MODEL	Wetted Parts
10	15	1.5-6.9	0.2-5.6	1.3	675DE8001	Aluminum, Polyimide, Buna N, 300 SST, Tin Plated Steel, Silver Plated Beryllium, Copper and Brass
		7-12.9	5.5-11.4	1.5	675DE8002	
		13-18.9	11-16.9	2.0	675DE8003	
		19-24.9	16.5-22.4	2.5	675DE8004	
		25-31	22.5-28	3.0	675DE8005	
		2-6.9	0.2-5.1	1.8	675DEM8001	
		7-12.9	5-10.9	2.0	675DEM8002	
		13-18.9	10.8-16.7	2.2	675DEM8003	
		19-24.9	16.5-22.4	2.5	675DEM8004	
		25-31	22.5-28	3.0	675DEM8005	

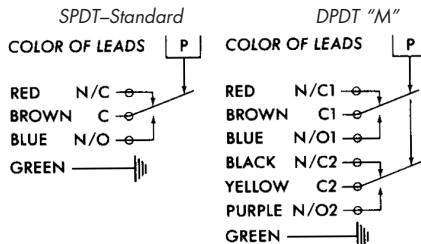
Options Code:

"7008" Gold Contacts
"7076" Teflon Wire

ELECTRICAL CHARACTERISTICS:
RATING OF SWITCH ELEMENT

VOLTS	AMPERES	
	SPDT Res.	DPDT "M" Res.
125 AC - 50/60 Hz	1.5	5
250 AC - 50/60 Hz	1.5	5
480 AC - 50/60 Hz	1.5	—
125 DC	.4	.5

SCHEMATIC AND WIRING CODE:



ENCLOSURE/CERTIFICATIONS:

Div. 1 explosion-proof and hermetically sealed electrical assembly Part No. 17-52 (17-283 for "M" model option), listed by both Underwriter's Laboratories, Inc. (File No. E32961) and CSA Testing Laboratories (File No. 22921) for hazardous locations, Class 1, Groups A, B, C, and D; Class 2 Groups E, F, and G.

HOW TO ORDER: Specify model number, add desired "options" listing letter codes first followed by numbers: Custom Control Sensors, Inc. • 21111 Plummer Street, Chatsworth, CA 91311 • Tel: (818)341-4610 • Fax: (818)709-0426
e-mail: switchnet@ccsdualsnap.com • http://www.ccsdualsnap.com