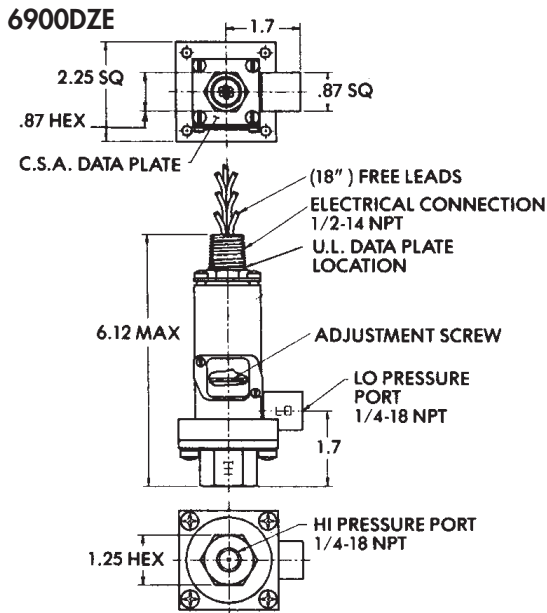


**INSTALLATION DRAWING**



6900DZE  
SHIPPING WT.  
APPROX. 49 OZ.  
(1372 GRAMS)

Diff. .4 to 75 psid

**SERIES:  
6900DZE**

**Standard Features:**

- U.L./CSA
- Explosion Proof:  
Div. 1, 2
- NEMA: 4, 7, 9, 13
- Fire Resistant
- Stainless Steel Body

**AMBIENT TEMP. RANGE**

-30° to 160° F  
-34° to 71° C

**OPERATING AND ORDERING DATA:**

Max Sys. Press. psi		Proof (Test) Press. psi		Adjustable Set-Point Range		Approx. Dead-band psi	Model Number		
High Press. Port	Low Press. Port	Both Ports Simultaneous	High Over Low	Low Over High	On Incr. Press. psi		On Decr. Press. psi	MODEL SPDT-Std.	MODEL DPDT "M"
400	750	750	750	400	1.2 to 18 6 to 75	.4 to 17.2 2 to 71	1 4	6900DZE8 6900DZE10	6900DZEM8 6900DZEM10

**DIFFERENTIAL SWITCHES MODEL 6900DZE**

- 1/4" STAINLESS STEEL PRESSURE PORTS & POLYIMIDE DIAPHRAGM
- Wetted Parts: 300 SST Polyimide Viton

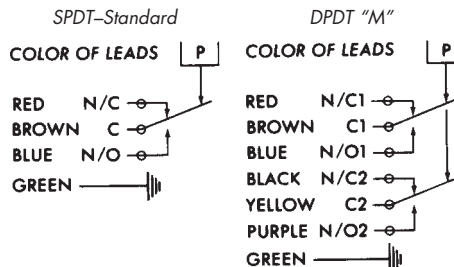
**Options Code:**

- "7008" Gold Contacts
- "7076" Teflon Wire

**ELECTRICAL CHARACTERISTICS:**  
RATING OF SWITCH ELEMENT

VOLTS	AMPERES	
	SPDT	DPDT "M"
125 AC - 50/60 Hz	11	11
250 AC - 50/60 Hz	11	11
30 DC	5	5
125 DC	.5	.5

**SCHEMATIC AND WIRING CODE:**



**ENCLOSURE/CERTIFICATIONS:**

Div. 1 explosion-proof and hermetically sealed electrical assembly Part No. 46-1058 (46-1061 for "M" model option), listed by both Underwriter's Laboratories, Inc. (File No. E32961) and CSA Testing Laboratories (File No. 22921) for hazardous locations, Class 1, Groups A, B, C, and D; Class 2 Groups E, F, and G.

**HOW TO ORDER:** Specify model number, add desired "options" listing letter codes first followed by numbers:  
Custom Control Sensors, Inc. • 21111 Plummer Street, Chatsworth, CA 91311 • Tel: (818)341-4610 • Fax: (818)709-0426  
e-mail: switchnet@ccsdualsnap.com • http://www.ccsdualsnap.com