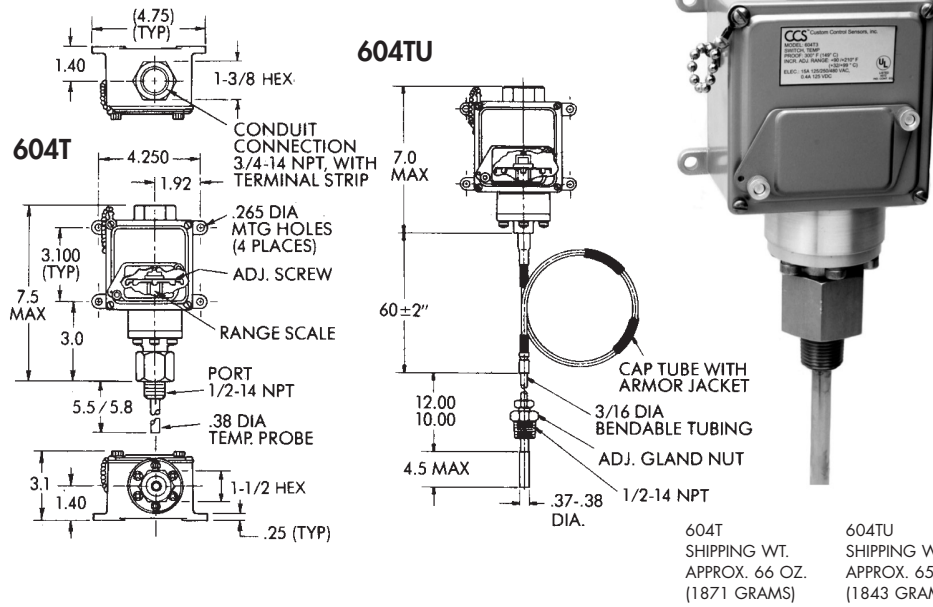


INSTALLATION DRAWING



Temp. **-39 to +630° F**

**SERIES:
604T
604TU**

Standard Features:

- U.L.
- NEMA: 4, 13
- Weatherproof
- Internal Case Ground

AMBIENT TEMP. RANGE
-30° to 160° F
-34° to 71° C

604T SHIPPING WT. APPROX. 66 OZ. (1871 GRAMS)
604TU SHIPPING WT. APPROX. 65 OZ. (1843 GRAMS)

OPERATING AND ORDERING DATA:

TEMPERATURE SWITCHES MODEL 604T		STAINLESS STEEL TEMPERATURE PROBE		Wetted Parts		300 SST, Nickel Plated Steel Buna N (Ranges 1-3) Silicone Rubber (Ranges 4, 5)	
Maximum Probe Temperature Degrees F	Adjustable Set Point Range		Approx. Dead Band		Model Number		
	On Incr. Temperature Degrees F	On Decr. Temperature Degrees F	At Bottom of Range Degrees F	At Top of Range Degrees F	MODEL SPDT-Std.	MODEL DPDT "M"	
+250°	-30° to +55°	-39° to +52°	9°	3°	604T1	604TM1	
+300°	+35° to +140°	+21° to +135°	14°	5°	604T2	604TM2	
+300°	+90° to +210°	+75° to +195°	15°	5°	604T3	604TM3	
+500°	+175° to +310°	+159° to +305°	16°	5°	604T4	604TM4	
+500°	+275° to +420°	+256° to +414°	19°	6°	604T5	604TM5	

TEMPERATURE SWITCHES MODEL 604TU		STAINLESS STEEL TEMPERATURE PROBE WITH 5' CAPILLARY TUBE		Wetted Parts		300 SST & Graphite Lubricated Glass Fiber	
Maximum Probe Temperature Degrees F	Adjustable Set Point Range		Approx. Dead Band		Model Number		
	On Incr. Temperature Degrees F	On Decr. Temperature Degrees F	At Bottom of Range Degrees F	At Top of Range Degrees F	MODEL SPDT-Std.	MODEL DPDT "M"	
+200°	-30° to +55°	-39° to +52°	9°	3°	604TU1	604TUM1	
+300°	+35° to +140°	+21° to +135°	14°	5°	604TU2	604TUM2	
+300°	+90° to +210°	+75° to +195°	15°	5°	604TU3	604TUM3	
+500°	+175° to +310°	+159° to +305°	16°	5°	604TU4	604TUM4	
+500°	+275° to +420°	+256° to +414°	19°	6°	604TU5	604TUM5	
+600°	+380° to +525°	+355° to +520°	25°	5°	604TU6	604TUM6	
+650°	+480° to +630°	+456° to +624°	24°	6°	604TU7	604TUM7	

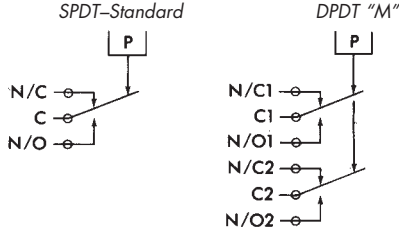
Options Code:
"7001" 10' Capillary
"7002" 15' Capillary
"7003" 25' Capillary
"7008" Gold Contacts

EXTERNAL PROBE PRESSURE
System Pressure: 1250 psi
Proof Pressure: 1500 psi

ELECTRICAL CHARACTERISTICS:
RATING OF SWITCH ELEMENT

VOLTS	AMPERES	
	SPDT Res.	DPDT "M" Res.
125 AC - 50/60 Hz	15	5
250 AC - 50/60 Hz	15	5
480 AC - 50/60 Hz	15	-
28 DC	6	5
125 DC	.4	.5

SCHEMATIC AND WIRING CODE:



ENCLOSURE/CERTIFICATIONS:

All Models shown are Underwriter's Laboratories, Inc. listed in the Recognized Components Index, Guide NKPZ "Motor Controllers, Float and Pressure Operated," File No. E72038.

HOW TO ORDER: Specify model number, add desired "options" listing letter codes first followed by numbers: See Page 23 for detail data on available Capillaries and Thermowells
Custom Control Sensors, Inc. • 21111 Plummer Street, Chatsworth, CA 91311 • Tel: (818)341-4610 • Fax: (818)709-0426
e-mail: switchnet@ccsdualsnap.com • http://www.ccsdualsnap.com