



## Ball Valves

- Brass, Carbon Steel & Stainless Steel
- UL Listed
- 90° Valves
- Padlocking & Vented Options
- Handle Options
- Actuators
- Inch & Metric



## Needle Valves

- Metal to Metal Seats
- All Brass construction
- Fine Threaded for control and positive seal



## Truck Valves

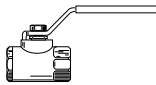
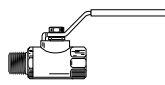
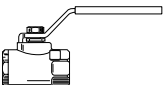
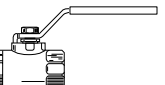
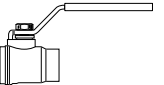
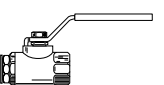
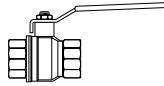
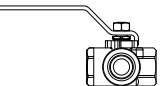
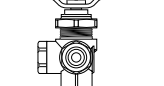

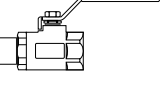
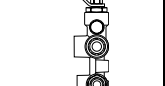
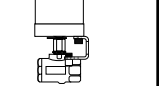
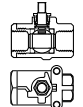
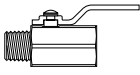
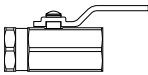
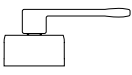
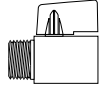
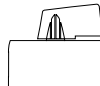
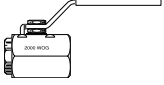
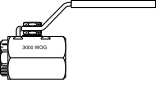
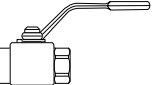
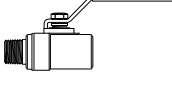
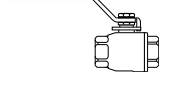
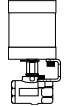
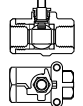
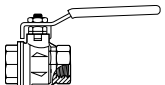

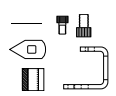
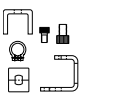
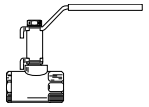
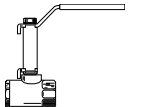
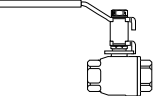


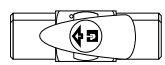
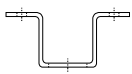
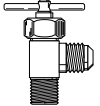
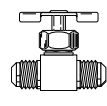
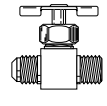
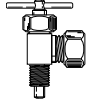

- Metal to Metal Seats
- All Brass construction
- -30° to +250° F



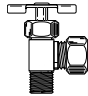
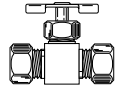
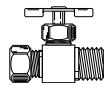
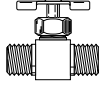
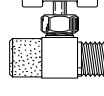
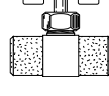
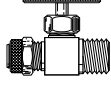

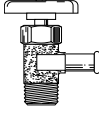
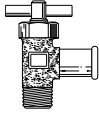
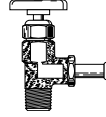





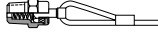
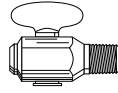
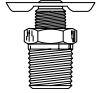
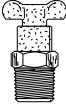
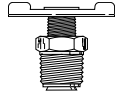
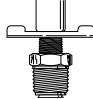
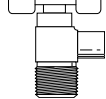
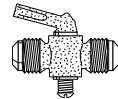
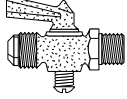
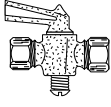
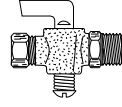
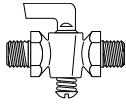
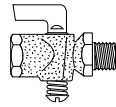
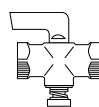
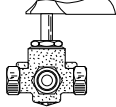
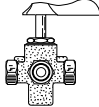
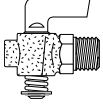
## Ground Plug Shutoff / Drain Cocks

- Metal to Metal Seats
- Economical
- External & Internal Seat

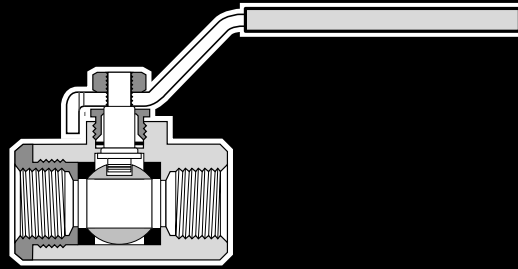


<b>Brass Ball Valves</b>	<b>XV500P</b> Female-Female  Page K5	<b>XV501P</b> Male-Female  Page K9	<b>XV502P</b> Panel Mount  Page K12	<b>XV506P</b> Straight Thread  Page K15	<b>XV509P</b> Solder End  Page K17	<b>XV510P</b> Straight Thread  Page K19	
	<b>XV520P</b> Economy Series  Page K22	<b>XV533P</b> 3-Female Pipe Ends  Page K24	<b>XV540P</b> 4-Female Pipe Ends  Page K24	<b>XV590/591P</b> 90° Ball Valve  Page K26	<b>XV500HB</b> Hose Barb  Page K27	<b>XV600P/XV633P</b> 6 Port Diversion  Page K29	<b>XV502P-ACT</b> Actuator  Page K47
	<b>XV502P-SUB</b> Sub Assembly  Page K48	<b>MV708</b> Micro Valve  Page K60	<b>MV709</b> Micro Valve  Page K60	<b>MV200</b> Mini Valve  Page K65	<b>MV608</b> Mini Valve  Page K65	<b>MV609</b> Mini Valve  Page K65	
	<b>Carbon Steel Valves</b>	<b>XV500/502CS</b> Female-Female  Page K31	<b>XV506CS</b> Straight Thread  Page K35	<b>XV500HP/506HP/507HP</b> High Pressure  Page K37	<b>Stainless Steel Valves</b>	<b>XV501SS</b> Male-Female  Page K41	<b>XV502SS</b> Female-Female  Page K43
		<b>XV502SS-ACT</b> Actuator  Page K47	<b>XV502SS-SUB</b> Sub Assembly  Page K48	<b>Metric Ball Valves</b>		<b>BVGC</b> Female-Female  Page K51	<b>BVGL</b> Female Long  Page K53
	<b>Auxiliary</b>	<b>ACT-P-KIT</b> Brass Actuator Kit  Page K49	<b>ACT-SS-Kit</b> Stainless Actuator Kit  Page K49		<b>STX-P-1-125</b> Stem Extension  Page K62	<b>STX-P-1-225</b> Stem Extension  Page K62	<b>STXSS-X-X</b> Stem Extension  Page K63
		<b>Plug Valves</b>	<b>PV607</b> Male-Male  Page K67	<b>PV608</b> Male-Female  Page K67	<b>PV609</b> Female-Female  Page K67	<b>PVMB</b> Mounting Bracket  Page K67	
<b>Needle Valves</b>			<b>NV101F</b> Flare-Male Pipe  Page K69	<b>NV102F</b> Flare-Flare  Page K69	<b>NV103F</b> Flare-Male Pipe  Page K69	<b>HV104C</b> Humidifier Valve  Page K69	<b>HV104C-Kit</b> Humidifier Kit  Page K69

**K**

<p><b>NV104C/ NV104CA</b> Comp-Pipe</p>  <p>Page K70</p>	<p><b>NV105C/ NV105CA</b> Comp-Comp</p>  <p>Page K70</p>	<p><b>NV106C/ NV106CA</b> Comp-Pipe</p>  <p>Page K71</p>	<p><b>NV107P</b> Pipe-Pipe</p>  <p>Page K71</p>	<p><b>NV108P</b> Female-Male</p>  <p>Page K71</p>	<p><b>NV109P</b> Female-Female</p>  <p>Page K71</p>	<p><b>NV311P</b> Poly-Tite/Pipe</p>  <p>Page K71</p>	
<p><b>NV312P</b> Poly-Tite/Pipe</p>  <p>Page K72</p>	<p><b>Truck Valves</b></p>		<p><b>V404P</b> Hose-Pipe</p>  <p>Page K72</p>	<p><b>V404PH</b> Hose-Pipe</p>  <p>Page K72</p>	<p><b>SV404P</b> Hose-Pipe</p>  <p>Page K72</p>	<p><b>V405P</b> Female-Male</p>  <p>Page K72</p>	<p><b>V408NTA</b> Tube-Pipe</p>  <p>Page K73</p>
<p><b>V409F</b> Flare - Pipe</p>  <p>Page K73</p>	<p><b>V410NTA</b> Tube-Pipe</p>  <p>Page K73</p>	<p><b>V412F</b> Tube-Pipe</p>  <p>Page K73</p>	<p><b>LV91</b> Lanyard Valve</p>  <p>Page K73</p>	<p><b>Drain Cocks</b></p>		<p><b>DCR601</b> Internal Seal</p>  <p>Page K77</p>	<p><b>DC602</b> Internal Seal</p>  <p>Page K77</p>
<p><b>DC603</b> Internal Seal</p>  <p>Page K77</p>	<p><b>DC604</b> External Seal</p>  <p>Page K77</p>	<p><b>DC606</b> External Seal</p>  <p>Page K77</p>	<p><b>DC607</b> Bib Drain</p>  <p>Page K77</p>	<p><b>Shutoff Valves</b></p>		<p><b>V203F</b> Flare-Flare</p>  <p>Page K75</p>	<p><b>V204F</b> Flare-Pipe</p>  <p>Page K75</p>
<p><b>V303C/V303CA</b> Comp-Comp</p>  <p>Page K75</p>	<p><b>V304C/V304CA</b> Comp-Pipe</p>  <p>Page K75</p>	<p><b>V401P</b> Pipe-Pipe</p>  <p>Page K75</p>	<p><b>V402P</b> Female-Male</p>  <p>Page K76</p>	<p><b>V403P</b> Female-Female</p>  <p>Page K76</p>	<p><b>V406P</b> 3-Way</p>  <p>Page K76</p>	<p><b>V407P</b> 4-Way</p>  <p>Page K76</p>	
<p><b>DC601</b> Pipe</p>  <p>Page K76</p>							





## Brass Ball Valves Series 500

### Advantages

Parker's forged body ball valve provides extended service life and resists failure caused by severe temperature applications. Optimum flow design assures maximum system efficiency. Highly inert PTFE seats and seals provide resistance to chemical corrosion. Parker also provides a blow-out proof stem, chrome plated brass ball and a specially designed handle enabling increased turning leverage for ease of opening and closing. Parker's ball valve can be readily identified assuring high quality engineering and reliability. This economical ball valve is available in female pipe sizes. Parker's ball valve bodies are machined from high quality CA 377 forgings.

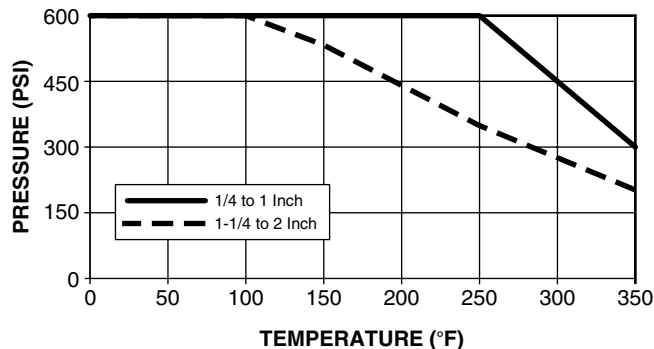
### Applications

Parker's industrial ball valve product line is intended for general purpose use. Please be aware that ball valves are intended for use in the fully open or closed positions. Depending on application conditions, throttling of the valve may result in premature seal failure and/or inability to turn the valve handle.

For use as fuel line shutoffs for gasoline and diesel powered over the highway, off highway, and construction equipment vehicles. Water and air service lines on capital equipment and plant design plumbing that require total shutoff capability.

### Working Pressure and Temperature

Saturated steam service up to 150 PSI and 400° F  
 Vacuum, 29 Inches of Mercury  
 Vented up to 250 PSI



### Operating Instructions

Quarter turn is "ON" or "OFF".  
 (Provides positive stop action for full shutoff.)

**NOTE:** PERIODICALLY CHECK THE ADJUSTABLE PACKING NUT AND TIGHTEN AS REQUIRED.

Style	Type	Material	Size	Options
V	500	P	-4	-00
Style	V-Valve VP-Valve, Padlocking Handle VV-Valve, Vented VVP-Valve, Vented, Padlocking Handle			
Type	500-Female/Female PTF Ports			
Material	P- Brass PN-Nickel Plated			
Size	4-1/4" 6-3/8" 8-1/2" 12-3/4" 16-1"			
Options	01-Stainless Steel Ball & Stem 02-Stainless Steel Handle & Nut 03-Stainless Steel Ball, Stem, Handle & Nut 04-Tee Handle 08-Unmarked Yellow Vinyl Handle Cover 21-Oval Handle			

Style	Type	Material	Size
V	500	P	-20
Style	V-Valve VP-Valve, Padlocking Handle		
Type	500-Female/Female PTF Ports		
Material	P- Brass		
Size	20-1 1/4" 24-1 1/2" 32-2"		

### Flow Data

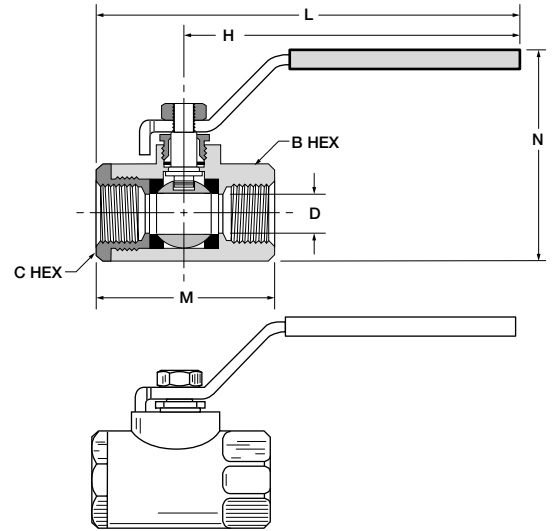
VALVE SIZE	CV
1/4	4.0
3/8	5.8
1/2	12.0
3/4	25.0
1	35.0
1-1/4	57.0
1-1/2	92.0
2	224.0

K

**Female-Female Pipe Ends XV500P**

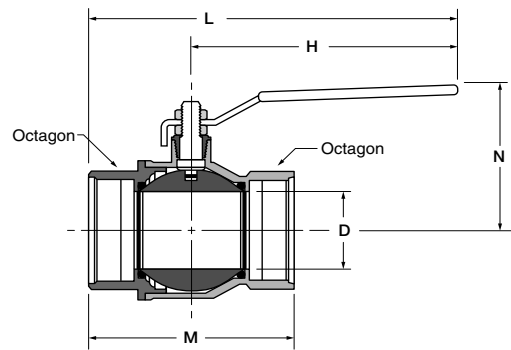
PART NO.	PIPE THREAD [PTF]	B HEX	C HEX	H	L	M	N	FLOW DIA.D
XV500P-4	1/4	15/16	15/16	3.96	4.90	2.03	2.47	.375
XV500P-6	3/8	15/16	15/16	3.96	4.90	2.03	2.47	.375
XV500P-8	1/2*	1-1/16	1-1/16	3.96	5.00	2.20	2.58	.500
XV500P-12†	3/4**	1-1/4	1-5/16	3.96	5.25	2.42	2.81	.685
XV500P-16†	1**	1-1/2	1-9/16	3.96	5.34	2.75	3.08	.875

† Available in Full Flow Panel Mount see XV508P Series



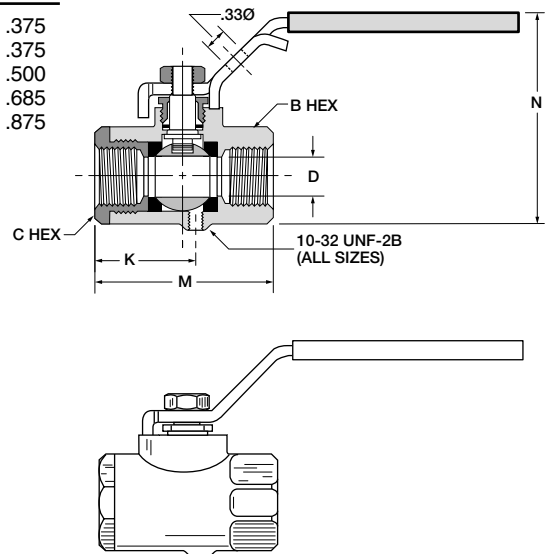
**Female-Female Pipe Ends XV500P-20, XV500P-24, XV500P-32**

PART NO.	PIPE THREAD [NPT]	OCTAGON	H	L	M	N	FLOW DIA.D
XV500P-20	1-1/4	1.93	6.22	8.05	3.66	3.01	1.18
XV500P-24	1-1/2	2.13	6.22	8.23	4.02	3.25	1.50
XV500P-32	2	2.69	6.22	8.58	4.76	3.52	1.89



**Vented, Female Pipe Ends XVV500P**

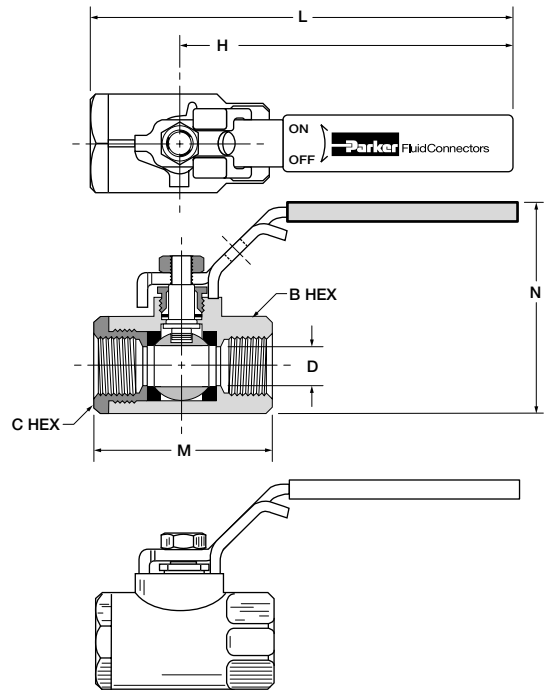
PART NO.	PIPE THREAD	B HEX	C HEX	K	H	L	M	N	D FLOW Ø
XVV500P-4	1/4	15/16	15/16	1.11	3.96	4.90	2.03	2.47	.375
XVV500P-6	3/8	15/16	15/16	1.11	3.96	4.90	2.03	2.47	.375
XVV500P-8	1/2*	1-1/16	1-1/16	1.23	3.96	5.00	2.20	2.58	.500
XVV500P-12	3/4**	1-1/4	1-5/16	1.45	3.96	5.25	2.42	2.81	.685
XVV500P-16	1**	1-1/2	1-9/16	1.58	3.96	5.34	2.75	3.08	.875



\*PTF special short. \*\*PTF special extra short

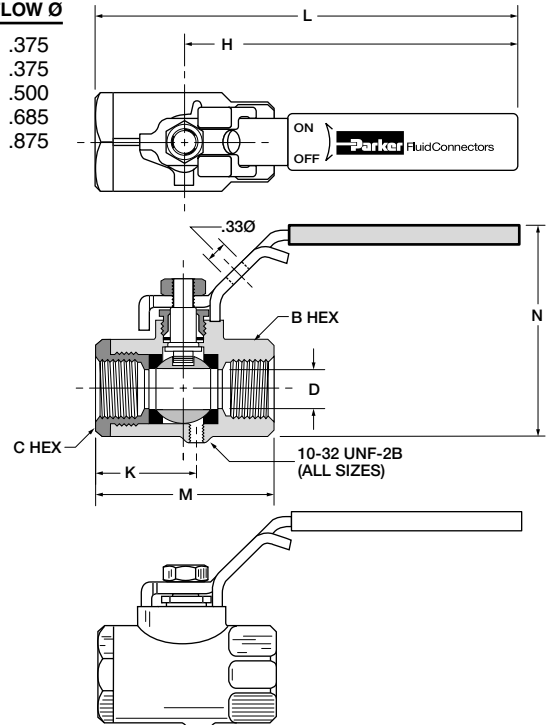
**Locking Handle, Female Pipe Ends XVP500P**

PART NO.	PIPE THREAD	B HEX	C HEX	H	L	M	N	D FLOW Ø
XVP500P-4	1/4	15/16	15/16	3.96	4.90	2.03	2.47	.375
XVP500P-6	3/8	15/16	15/16	3.96	4.90	2.03	2.47	.375
XVP500P-8	1/2*	1-1/16	1-1/16	3.96	5.00	2.20	2.58	.500
XVP500P-12	3/4**	1-1/4	1-5/16	3.96	5.25	2.42	2.81	.685
XVP500P-16	1**	1-1/2	1-9/16	3.96	5.34	2.75	3.08	.875
For use with 5/16" Ø shank lock; .33Ø								
XVP500P-20	1-1/4	1-15/16	1-15/16	6.22	8.05	3.66	4.04	1.180
XVP500P-24	1-1/2	2-1/8	2-1/8	6.22	8.23	4.02	4.52	1.500
XVP500P-32	2	2-11/16	2-11/16	6.22	8.60	4.76	5.07	1.890
For use with 9/32" Ø shank lock; .31Ø								



**OSHA 29 CFR Part 1910 Vented, Locking Handle, Female Pipe Ends XVVP500P**

PART NO.	PIPE THREAD	B HEX	C HEX	K	H	L	M	N	D FLOW Ø
XVVP500P-4	1/4	15/16	15/16	1.11	3.96	4.90	2.03	2.47	.375
XVVP500P-6	3/8	15/16	15/16	1.11	3.96	4.90	2.03	2.47	.375
XVVP500P-8	1/2*	1-1/16	1-1/16	1.23	3.96	5.00	2.20	2.58	.500
XVVP500P-12	3/4**	1-1/4	1-5/16	1.45	3.96	5.25	2.42	2.81	.685
XVVP500P-16	1**	1-1/2	1-9/16	1.58	3.96	5.34	2.75	3.08	.875
For use with 5/16" Ø shank lock									

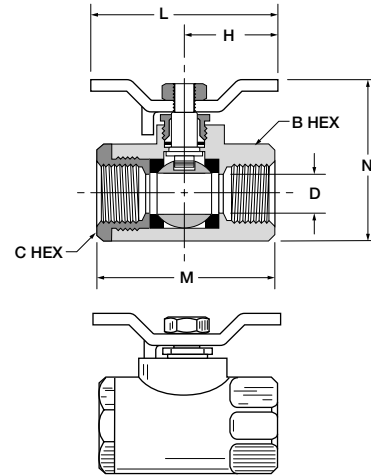


**K**

\*PTF special short. \*\*PTF special extra short

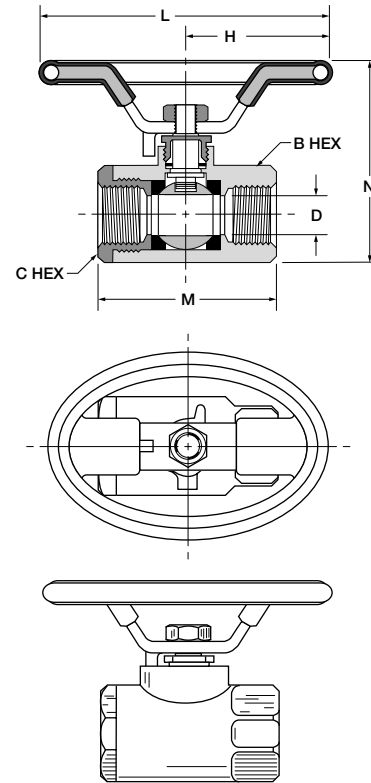
**Tee Handle, Female Pipe Ends XV500P-X-04**

PART NO.	PIPE THREAD	B HEX	C HEX	H	L	M	N	D FLOW Ø
XV500P-4-04	1/4	15/16	15/16	1.25	2.50	2.03	1.87	.375
XV500P-6-04	3/8	15/16	15/16	1.25	2.50	2.03	1.87	.375
XV500P-8-04	1/2*	1-1/16	1-1/16	1.25	2.50	2.20	1.98	.500
XV500P-12-04	3/4**	1-1/4	1-5/16	1.25	2.50	2.42	2.20	.685
XV500P-16-04	1**	1-1/2	1-9/16	1.25	2.50	2.75	2.48	.875



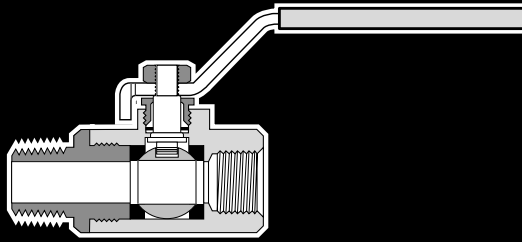
**Oval Handle, Female Pipe Ends XV500P-X-21**

PART NO.	PIPE THREAD	B HEX	C HEX	H	L	M	N	D FLOW Ø
XV500P-4-21	1/4	15/16	15/16	1.74	3.49	2.03	2.38	.375
XV500P-6-21	3/8	15/16	15/16	1.74	3.49	2.03	2.38	.375
XV500P-8-21	1/2*	1-1/16	1-1/16	1.74	3.49	2.20	2.49	.500
XV500P-12-21	3/4**	1-1/4	1-5/16	1.74	3.48	2.42	2.71	.685
XV500P-16-21	1**	1-1/2	1-9/16	1.74	3.48	2.75	2.99	.875



\*PTF special short. \*\*PTF special extra short





## Male/Female Ball Valves Series 501

### Advantages

Parker's forged body ball valve provides extended service life and resists failure caused by severe temperature applications. Optimum flow design assures maximum system efficiency. Highly inert PTFE seats and seals provide resistance to chemical corrosion. Parker also provides a blow-out proof stem, chrome plated brass ball and a specially designed handle enabling increased turning leverage for ease of opening and closing. Parker's ball valve can be readily identified assuring high quality engineering and reliability. This economical ball valve is available in 1/4", 3/8", 1/2", 3/4" and 1" female/male pipe sizes. Parker's ball valve bodies are machined from high quality CA 377 forgings.

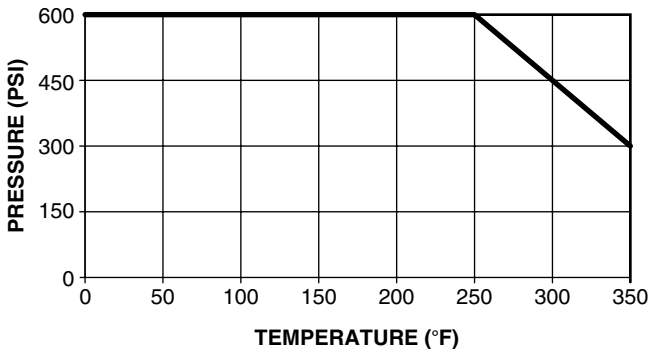
### Applications

Parker's industrial ball valve product line is intended for general purpose use. Please be aware that ball valves are intended for use in the fully open or closed positions. Depending on application conditions, throttling of the valve may result in premature seal failure and/or inability to turn the valve handle.

For use as fuel line shutoffs for gasoline and diesel powered over highway, off highway, and construction equipment vehicles. Water and air service lines on capital equipment and plant design plumbing that require total shutoff capability.

### Working Pressure and Temperatures

Saturated steam service up to 150 PSI and 400° F  
 Vacuum, 29 Inches of Mercury  
 Vented up to 250 PSI



Style	Type	Material	Size	Options
V	501	P	-4	-00
Style	V-Valve VP-Valve, Padlocking Handle VV-Valve, Vented VVP-Valve, Vented, Padlocking Handle			
Type	501-Male/Female PTF Ports			
Material	P- Brass PN-Nickel Plated			
Size	4-1/4" 6-3/8" 8-1/2" 12-3/4" 16-1"			
Options	01-Stainless Steel Ball & Stem 02-Stainless Steel Handle & Nut 03-Stainless Steel Ball, Stem, Handle & Nut 04-Tee Handle 08-Unmarked Yellow Vinyl Handle Cover 21-Oval Handle			

### Flow Data

VALVE SIZE	CV
1/4	6.3
3/8	5.7
1/2	10.0
3/4	25.0
1	35.0

### Operating Instructions

Quarter turn is "ON" or "OFF".  
 (Provides positive stop action for full shutoff.)

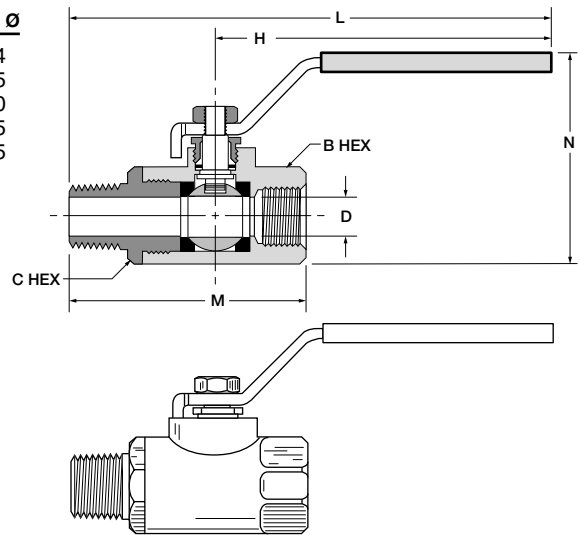
**NOTE:** PERIODICALLY CHECK THE ADJUSTABLE PACKING NUT AND TIGHTEN AS REQUIRED.

K



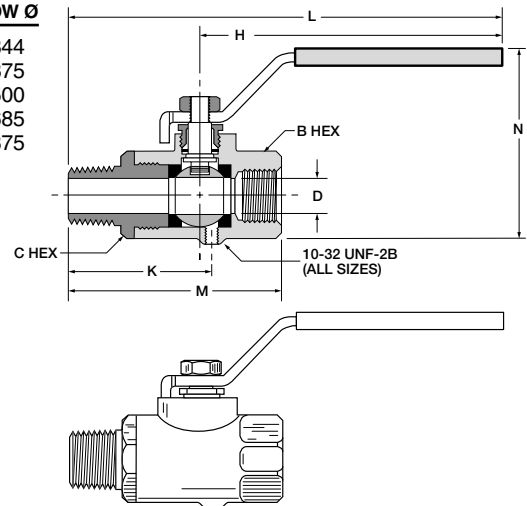
**Male-Female Pipe Ends XV501P**

PART NO.	PIPE THREAD	B HEX	C HEX	H	L	M	N	D FLOW Ø
XV501P-4	1/4	15/16	15/16	3.96	5.46	2.59	2.47	.344
XV501P-6	3/8	15/16	15/16	3.96	5.46	2.59	2.47	.375
XV501P-8	1/2*	1-1/16	1-1/16	3.96	5.75	2.94	2.58	.500
XV501P-12	3/4**	1-1/4	1-5/16	3.96	5.83	3.00	2.81	.685
XV501P-16	1**	1-1/2	1-9/16	3.96	6.19	3.60	3.08	.875



**Vented, Male-Female Pipe Ends XVV501P**

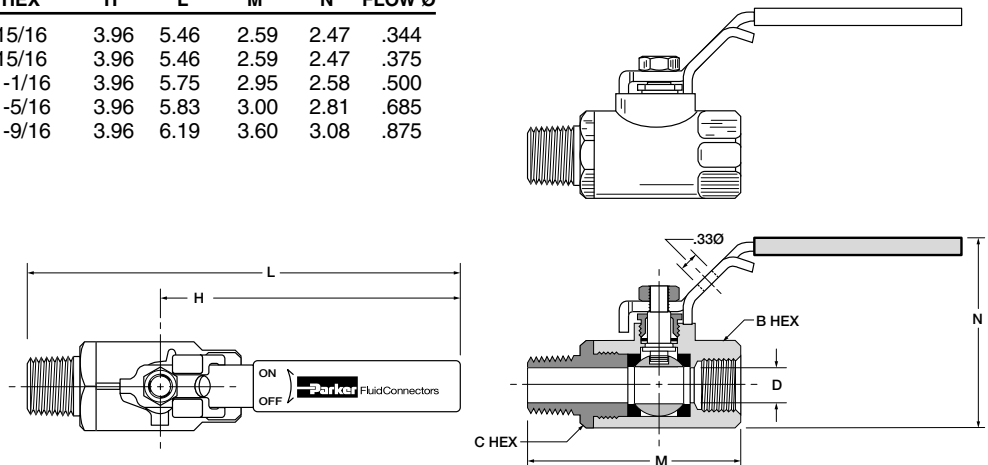
PART NO.	PIPE THREAD	B HEX	C HEX	K	H	L	M	N	D FLOW Ø
XVV501P-4	1/4	15/16	15/16	1.67	3.96	5.46	2.59	2.47	.344
XVV501P-6	3/8	15/16	15/16	1.67	3.96	5.46	2.59	2.47	.375
XVV501P-8	1/2*	1-1/16	1-1/16	1.98	3.96	5.75	2.95	2.58	.500
XVV501P-12	3/4**	1-1/4	1-5/16	2.03	3.96	5.83	3.00	2.81	.685
XVV501P-16	1**	1-1/2	1-9/16	2.43	3.96	6.19	3.60	3.08	.875



**Locking Handle, Male-Female Pipe Ends XVP501P**

PART NO.	PIPE THREAD	B HEX	C HEX	H	L	M	N	D FLOW Ø
XVP501P-4	1/4	15/16	15/16	3.96	5.46	2.59	2.47	.344
XVP501P-6	3/8	15/16	15/16	3.96	5.46	2.59	2.47	.375
XVP501P-8	1/2*	1-1/16	1-1/16	3.96	5.75	2.95	2.58	.500
XVP501P-12	3/4**	1-1/4	1-5/16	3.96	5.83	3.00	2.81	.685
XVP501P-16	1**	1-1/2	1-9/16	3.96	6.19	3.60	3.08	.875

For use with 5/16" Ø shank lock



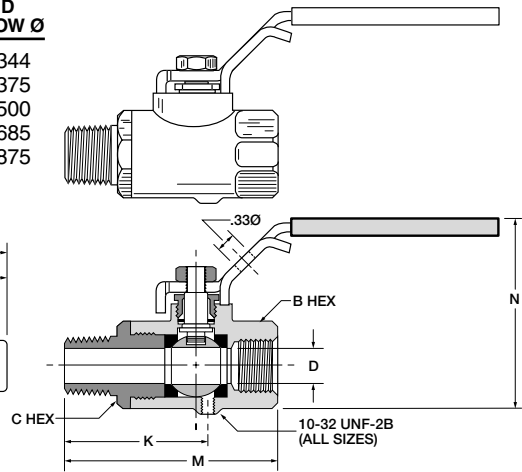
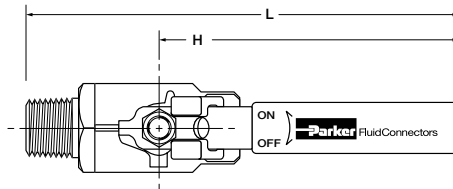
\*PTF special short. \*\*PTF special extra short



**OSHA 29 CFR Part 1910  
Vented, Locking Handle, Male-Female Pipe Ends XVVP501P**

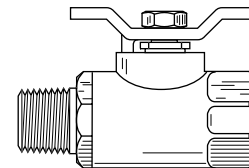
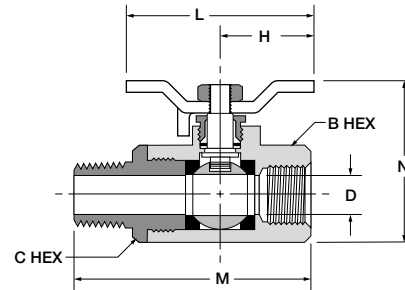
PART NO.	PIPE THREAD	B HEX	C HEX	K	H	L	M	N	D FLOW Ø
XVVP501P-4	1/4	15/16	15/16	1.67	3.96	5.46	2.59	2.47	.344
XVVP501P-6	3/8	15/16	15/16	1.67	3.96	5.46	2.59	2.47	.375
XVVP501P-8	1/2*	1-1/16	1-1/16	1.98	3.96	5.75	2.95	2.58	.500
XVVP501P-12	3/4**	1-1/4	1-5/16	2.03	3.96	5.83	3.00	2.81	.685
XVVP501P-16	1**	1-1/2	1-9/16	2.43	3.96	6.19	3.60	3.08	.875

For use with 5/16" Ø shank lock



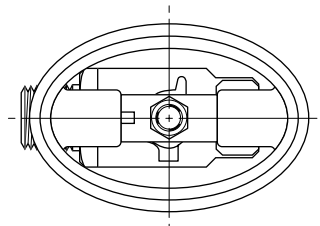
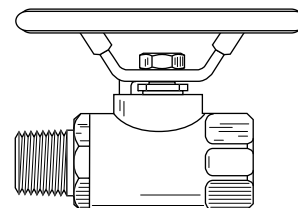
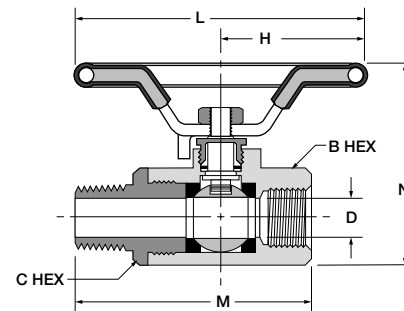
**Tee Handle, Male-Female Pipe Ends XV501P-X-04**

PART NO.	PIPE THREAD	B HEX	C HEX	H	L	M	N	D FLOW Ø
XV501P-4-04	1/4	15/16	15/16	1.25	2.50	2.59	1.87	.344
XV501P-6-04	3/8	15/16	15/16	1.25	2.50	2.59	1.87	.375
XV501P-8-04	1/2*	1-1/16	1-1/16	1.25	2.50	2.95	1.98	.500
XV501P-12-04	3/4**	1-1/4	1-5/16	1.25	2.50	3.00	2.20	.685
XV501P-16-04	1**	1-1/2	1-9/16	1.25	2.50	3.60	2.48	.875



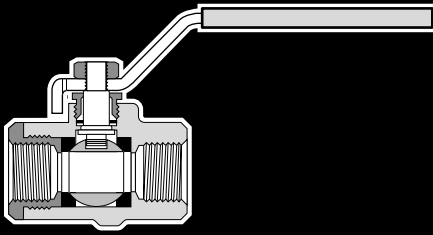
**Oval Handle, Male-Female Pipe Ends XV501P-X-21**

PART NO.	PIPE THREAD	B HEX	C HEX	H	L	M	N	D FLOW Ø
XV501P-4-21	1/4	15/16	15/16	1.74	3.49	2.59	2.38	.344
XV501P-6-21	3/8	15/16	15/16	1.74	3.49	2.59	2.38	.375
XV501P-8-21	1/2*	1-1/16	1-1/16	1.74	3.49	2.95	2.49	.500
XV501P-12-21	3/4**	1-1/4	1-5/16	1.74	3.48	3.00	2.71	.685
XV501P-16-21	1**	1-1/2	1-9/16	1.74	3.48	3.60	2.99	.875



\*PTF special short. \*\*PTF special extra short

**K**



## Brass Panel Mount Ball Valves Series 502

### Advantages

Parker's forged body ball valve provides extended service life and resists failure caused by severe temperature applications. Optimum flow design assures maximum system efficiency. Highly inert PTFE seats and seals provide resistance to chemical corrosion. Parker also provides a blow-out proof stem, chrome plated brass ball and a specially designed handle enabling increased turning leverage for ease of opening and closing. Parker's ball valve can be readily identified assuring high quality engineering and reliability. This economical ball valve is available in female pipe sizes. Parker's ball valve bodies are machined from high quality CA 377 forgings.

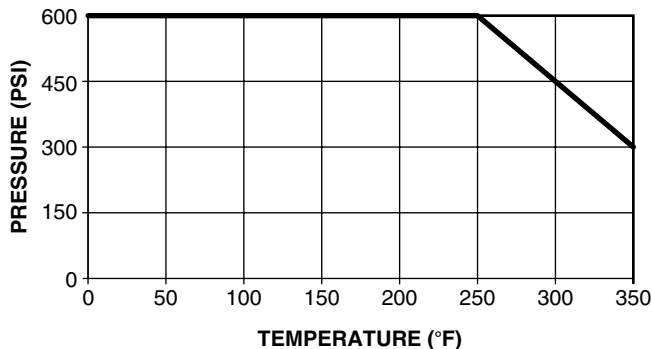
### Applications

Parker's industrial ball valve product line is intended for general purpose use. Please be aware that ball valves are intended for use in the fully open or closed positions. Depending on application conditions, throttling of the valve may result in premature seal failure and/or inability to turn the valve handle.

For use as fuel line shutoffs for gasoline and diesel powered over the highway, off highway, and construction equipment vehicles. Water and air service lines on capital equipment and plant design plumbing that require total shutoff capability.

### Working Pressure and Temperature

Saturated steam service up to 150 PSI and 400° F  
 Vacuum, 29 Inches of Mercury  
 Vented up to 250 PSI



### Operating Instructions

Quarter turn is "ON" or "OFF".  
 (Provides positive stop action for full shutoff.)

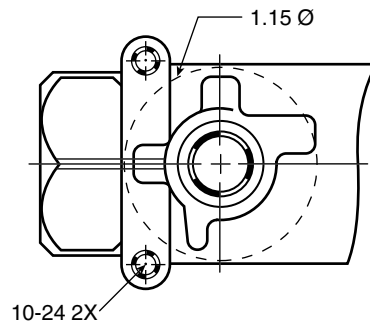
**NOTE:** PERIODICALLY CHECK THE ADJUSTABLE PACKING NUT AND TIGHTEN AS REQUIRED.

Style	Type	Material	Size	Options
V	502	P	-4	-00
Style	V-Valve VP-Valve, Padlocking Handle VV-Valve, Vented VVP-Valve, Vented, Padlocking Handle			
Type	502-Female/Female PTF Ports			
Material	P- Brass PN-Nickel Plated			
Size	4-1/4" 6-3/8" 8-1/2" 12-3/4" 16-1"			
Options	01-Stainless Steel Ball & Stem 02-Stainless Steel Handle & Nut 03-Stainless Steel Ball, Stem, Handle & Nut 04-Tee Handle 08-Unmarked Yellow Vinyl Handle Cover 21-Oval Handle			

### Flow Data

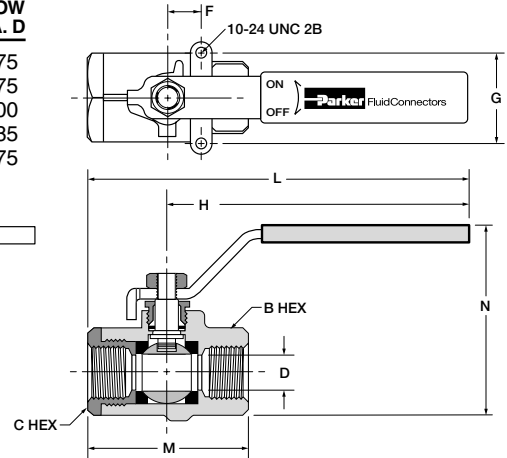
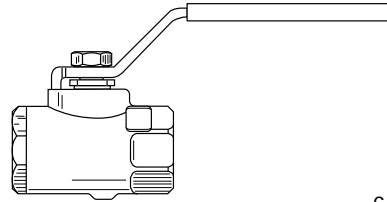
VALVE SIZE	CV
1/4	4.0
3/8	5.8
1/2	12.0
3/4	25.0
1	35.0

### Mounting detail for all sizes



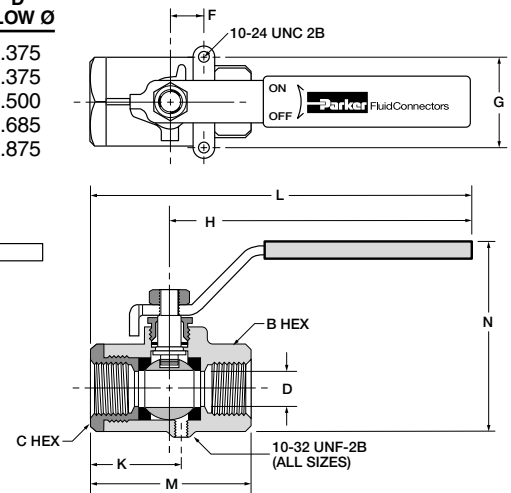
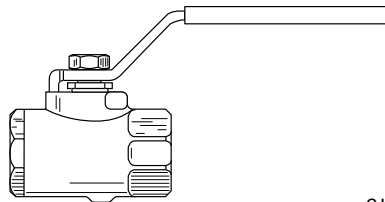
**Female-Female Pipe Ends, Panel Mount XV502P**

PART NO.	PIPE THD.	B HEX	C HEX	F	G	H	L	M	N	FLOW DIA. D
XV502P-4	1/4	15/16	15/16	.50	1.12	3.96	4.90	2.03	2.47	.375
XV502P-6	3/8	15/16	15/16	.50	1.12	3.96	4.90	2.03	2.47	.375
XV502P-8	1/2*	1-1/16	1-1/16	.50	1.12	3.96	5.00	2.20	2.58	.500
XV502P-12†	3/4**	1-1/4	1-5/16	.87	1.37	3.96	5.25	2.42	2.81	.685
XV502P-16†	1**	1-1/2	1-9/16	.87	1.37	3.96	5.34	2.75	3.08	.875



**Vented, Female-Female Pipe Ends, Panel Mount XVV502P**

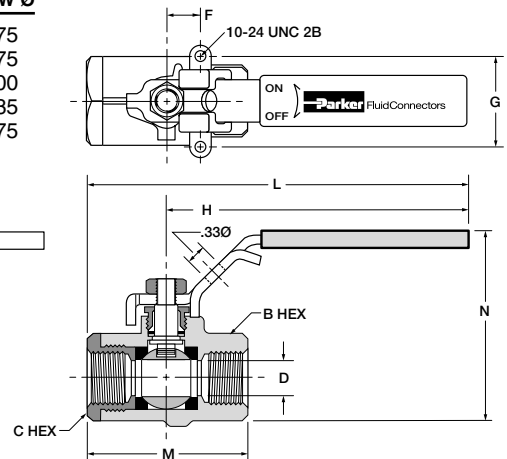
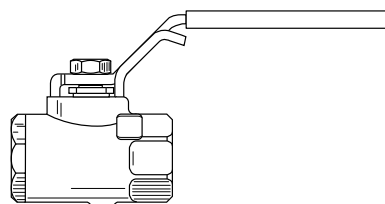
PART NO.	PIPE THD.	B HEX	C HEX	F	G	K	H	L	M	N	D FLOW Ø
XVV502P-4	1/4	15/16	15/16	.50	1.12	1.11	3.96	4.90	2.03	2.47	.375
XVV502P-6	3/8	15/16	15/16	.50	1.12	1.11	3.96	4.90	2.03	2.47	.375
XVV502P-8	1/2*	1-1/16	1-1/16	.50	1.12	1.23	3.96	5.00	2.20	2.58	.500
XVV502P-12	3/4**	1-1/4	1-5/16	.87	1.37	1.45	3.96	5.25	2.42	2.81	.685
XVV502P-16	1**	1-1/2	1-9/16	.87	1.37	1.58	3.96	5.34	2.75	3.08	.875



**Locking Handle, Female Pipe Ends, PanelMount XVP502P**

PART NO.	PIPE THD.	B HEX	C HEX	F	G	H	L	M	N	D FLOW Ø
XVP502P-4	1/4	15/16	15/16	.50	1.12	3.96	4.90	2.03	2.47	.375
XVP502P-6	3/8	15/16	15/16	.50	1.12	3.96	4.90	2.03	2.47	.375
XVP502P-8	1/2*	1-1/16	1-1/16	.50	1.12	3.96	5.00	2.20	2.58	.500
XVP502P-12	3/4**	1-1/4	1-5/16	.87	1.37	3.96	5.25	2.42	2.81	.685
XVP502P-16	1**	1-1/2	1-9/16	.87	1.37	3.96	5.34	2.75	3.08	.875

For use with 5/16" Ø shank lock



\*PTF special short. \*\*PTF special extra short

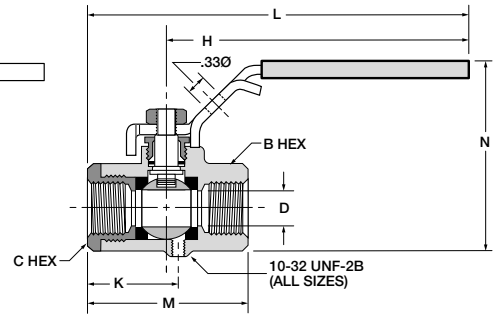
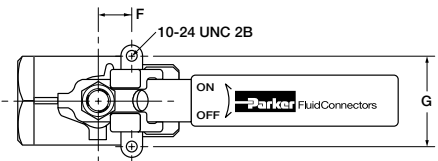
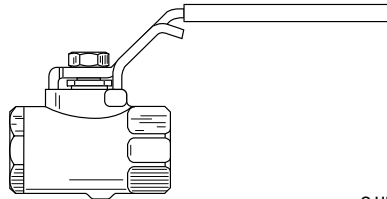
**K**



**OSHA 29 CFR Part 1910  
Vented, Locking Handle, Female Pipe Ends, Panel Mount XVVP502P**

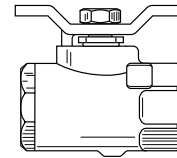
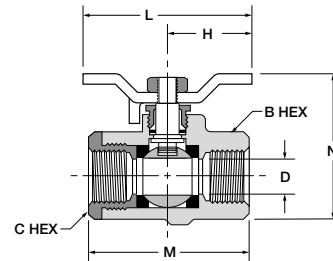
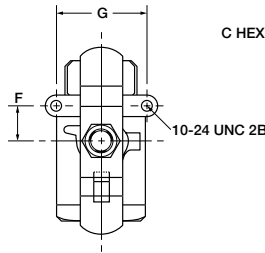
PART NO.	PIPE THD.	B HEX	C HEX	F	G	K	H	L	M	N	D FLOW Ø
XVVP502P-4	1/4	15/16	15/16	.50	1.12	1.11	3.96	4.90	2.03	2.47	.375
XVVP502P-6	3/8	15/16	15/16	.50	1.12	1.11	3.96	4.90	2.03	2.47	.375
XVVP502P-8	1/2*	1-1/16	1-1/16	.50	1.12	1.23	3.96	5.00	2.20	2.58	.500
XVVP502P-12	3/4**	1-1/4	1-5/16	.87	1.37	1.45	3.96	5.25	2.42	2.81	.685
XVVP502P-16	1**	1-1/2	1-9/16	.87	1.37	1.58	3.96	5.34	2.75	3.08	.875

For use with 5/16" Ø shank lock



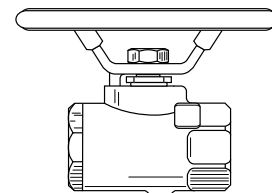
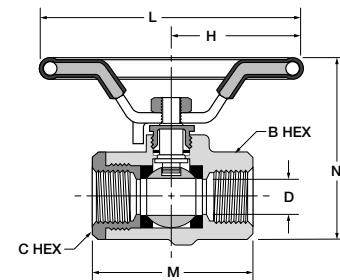
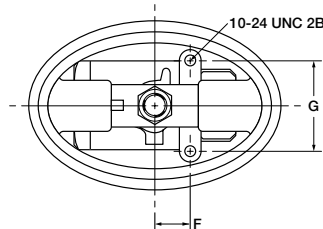
**Tee Handle, Female Pipe Ends, Panel Mount XV502P-X-04**

PART NO.	PIPE THD.	B HEX	C HEX	F	G	H	L	M	N	D FLOW Ø
XV502P-4-04	1/4	15/16	15/16	.50	1.12	1.25	2.50	2.03	1.87	.375
XV502P-6-04	3/8	15/16	15/16	.50	1.12	1.25	2.50	2.03	1.87	.375
XV502P-8-04	1/2*	1-1/16	1-1/16	.50	1.12	1.25	2.50	2.20	1.98	.500
XV502P-12-04	3/4**	1-1/4	1-5/16	.87	1.37	1.25	2.50	2.42	2.20	.685
XV502P-16-04	1**	1-1/2	1-9/16	.87	1.37	1.25	2.50	2.75	2.48	.875



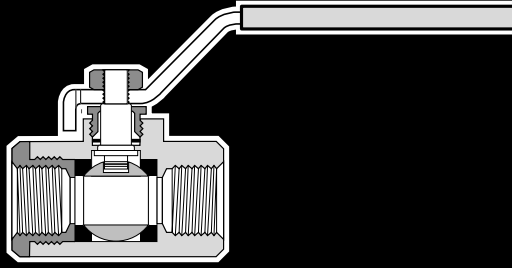
**Oval Handle, Female Pipe Ends, Panel Mount XV502P-X-21**

PART NO.	PIPE THD.	B HEX	C HEX	F	G	H	L	M	N	D FLOW Ø
XV502P-4-21	1/4	15/16	15/16	.50	1.12	1.74	3.49	2.03	2.38	.375
XV502P-6-21	3/8	15/16	15/16	.50	1.12	1.74	3.49	2.03	2.38	.375
XV502P-8-21	1/2*	1-1/16	1-1/16	.50	1.12	1.74	3.49	2.20	2.49	.500
XV502P-12-21	3/4**	1-1/4	1-5/16	.87	1.37	1.74	3.48	2.42	2.71	.685
XV502P-16-21	1**	1-1/2	1-9/16	.87	1.37	1.74	3.48	2.75	2.99	.875



\*PTF special short. \*\*PTF special extra short





## Female/Female Straight Thread Brass Ball Valve Series 506

### Advantages

Parker's forged body ball valve provides extended service life and resists failure caused by severe temperature applications. Optimum flow design assures maximum system efficiency. Highly inert PTFE seats and seals provide resistance to chemical corrosion. Parker also provides a blow-out proof stem, chrome plated brass ball and a specially designed handle enabling increased turning leverage for ease of opening and closing. Parker's ball valve can be readily identified assuring high quality engineering and reliability. This ball valve is available in 1/4" through 2" female straight thread sizes. Parker's ball valve bodies are machined from high quality CA 377 forgings.

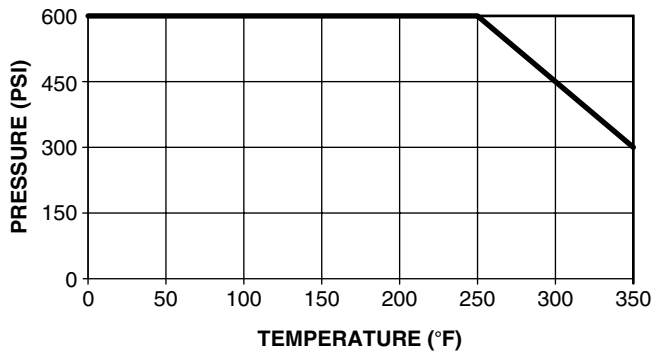
### Applications

Parker's industrial ball valve product line is intended for general purpose use. Please be aware that ball valves are intended for use in the fully open or closed positions. Depending on application conditions, throttling of the valve may result in premature seal failure and/or inability to turn the valve handle.

For use on construction equipment, chemical processing, plastic and rubber manufacturing, pumps and specialized industrial machinery requiring total shut-off capability.

### Working Pressure and Temperature

Saturated steam service up to 150 PSI and 400° F  
Vacuum, 29 Inches of Mercury



### Operating Instructions

Quarter turn is "ON" or "OFF".  
(Provides positive stop action for full shutoff.)

**NOTE:** PERIODICALLY CHECK THE ADJUSTABLE PACKING NUT AND TIGHTEN AS REQUIRED.

Style	Type	Material	Size	Options
V	506	P	-4	-00
Style	V-Valve VP-Valve, Padlocking Handle			
Type	506 Female/Female			
Material	P- Brass			
Size	4-1/4" 6-3/8" 8-1/2" 12-3/4" 16-1"			
Options	01-Stainless Steel Ball & Stem 02-Stainless Steel Handle & Nut 03-Stainless Steel Ball, Stem, Handle & Nut 04-Tee Handle 08-Unmarked Yellow Vinyl Handle Cover 21-Oval Handle			

### Flow Data

VALVE SIZE	CV
1/4	4.0
3/8	5.8
1/2	12.0
3/4	25.0
1	35.0

Style	Type	Material	Size
V	506	P	-20
Style	V-Valve		
Type	506 Female/Female		
Material	P- Brass		
Size	20 - 1 1/4" 24 - 1 1/2" 32 - 2"		

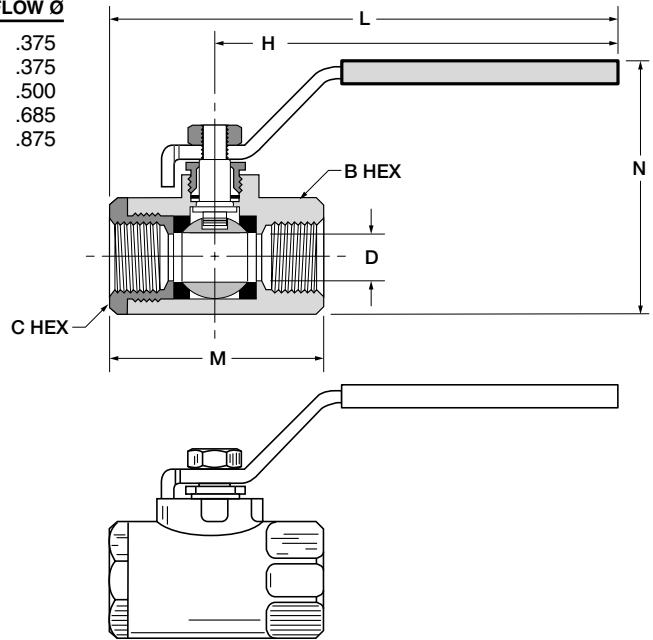
### Flow Data

VALVE SIZE	CV
1-1/4	57.0
1-1/2	92.0
2	224.0

K

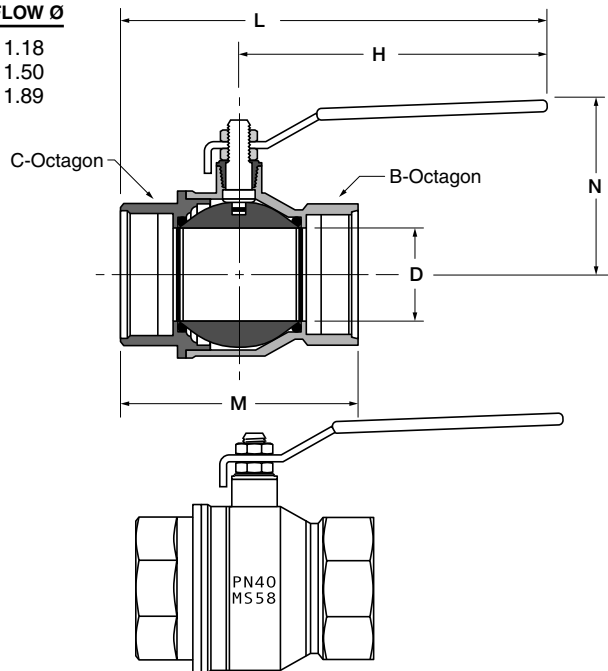
**Female/Female, Straight Thread O-Ring Port XV506P**

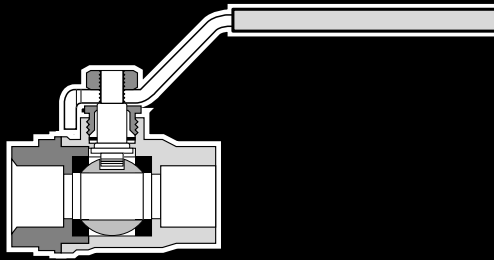
PART NO.	STRT. THREAD	B HEX	C HEX	H	L	M	N	D FLOW Ø
XV506P-4	7/16-20	15/16	15/16	3.96	5.01	2.20	2.47	.375
XV506P-6	9/16-18	15/16	15/16	3.96	5.07	2.26	2.47	.375
XV506P-8	3/4-16	1-1/16	1-1/16	3.96	5.18	2.42	2.60	.500
XV506P-12	1-1/16-12	1-1/4	1-5/16	3.96	5.87	3.46	2.81	.685
XV506P-16	1-5/16-12	1-1/2	1-9/16	3.96	5.96	3.68	3.08	.875



**Female/Female, Straight Thread O-Ring Port XV506P-20, XV506P-24, XV506P-32**

PART NO.	STRT. THREAD	B OCT	C OCT	H	L	M	N	D FLOW Ø
XV506P-20	1 5/8-12	1.93	1.93	6.22	8.05	3.66	3.01	1.18
XV506P-24	1 7/8-12	2.13	2.13	6.22	8.23	4.02	3.25	1.50
XV506P-32	2 1/2-12	2.85	2.85	6.22	8.60	4.76	3.52	1.89





## Solder End Ball Valves Series 509

### Advantages

Parker forged body ball valve provides extended service life and resists failure caused by severe temperature applications. Optimum flow design assures maximum system efficiency. Highly inert PTFE seats and seals provide resistance to chemical corrosion. Parker also provides a blow-out proof stem, chrome plated brass ball and a specially designed handle enabling increased turning leverage for ease of opening and closing. The Parker series 509 is designed to be soft soldered into lines without disassembly. This allows the valve to be installed without disturbing the seats and seals in any way.

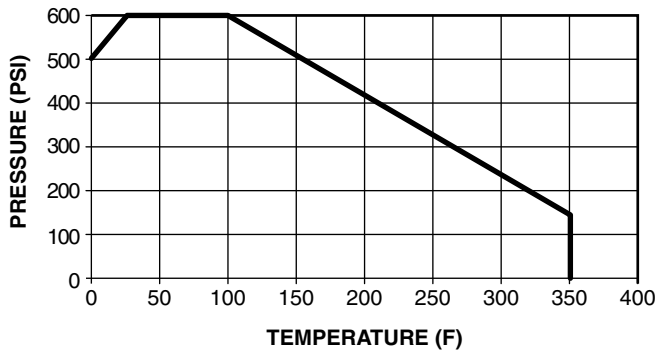
### Applications

Parker's industrial ball valve product line is intended for general purpose use. Please be aware that ball valves are intended for use in the fully open or closed positions. Depending on application conditions, throttling of the valve may result in premature seal failure and/or inability to turn the valve handle.

These valves are ideal for water and air service lines on capital equipment and plant design plumbing that require total shut-off capability. Use with ASTM B88 copper water tubing.

### Working Pressure and Temperature

Saturated steam service up to 150 PSI and 400° F. Solder temperature not to exceed 470°F.



Joining Material	Melting Range Degrees F	Working Temp. Degrees F	Maximum Working Pressure (PSI)	
			Size 1/2"-1"	Size 1-1/4"-2"
50-50 Tin-Lead Solder	361-421	100	200	175
		150	150	125
		200	100	90
		250	85	75
95-5 Tin Antimony Solder	450-464	100	400	400
		150	400	350
		200	300	250
		250	200	175

Style	Type	Material	Size
V	509	P	-4
Style	V-Valve		
Type	509-Solder Ends		
Material	P- Brass		
Size	8-1/2" 12-3/4" 16-1" 20-1 1/4" 24-1 1/2" 32-2"		

### Flow Data

VALVE SIZE	CV
1/2"	26
3/4"	69
1"	91
1 1/4"	127
1 1/2"	299
2"	425

### Operating Instructions

Quarter turn is "ON" or "OFF".

(Provides positive stop action for full shutoff.)

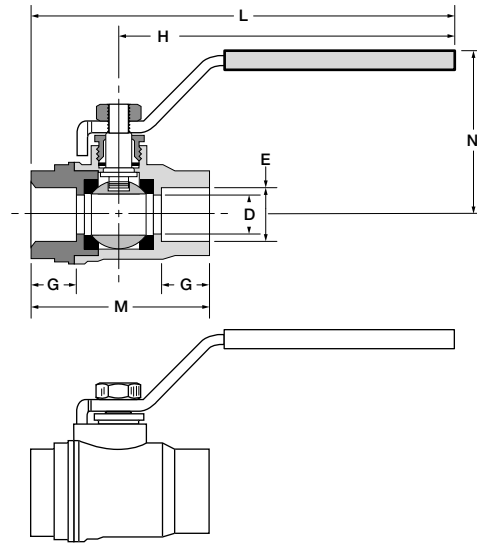
**NOTE:** PERIODICALLY CHECK THE ADJUSTABLE PACKING NUT AND TIGHTEN AS REQUIRED.

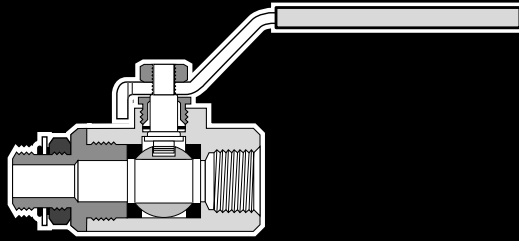
K



**Solder Cup Ends XV509P**

PART NO.	TUBE SIZE	E	G	H	L	M	N	FLOW DIA. D
XV509P-8	1/2	.630	.49	3.94	5.00	2.24	1.69	.55
XV509P-12	3/4	.877	.75	4.72	6.10	2.85	1.97	.75
XV509P-16	1	1.128	.90	4.72	6.40	3.35	2.13	.94
XV509P-20	1 1/4	1.378	.96	6.22	8.13	3.82	3.01	1.18
XV509P-24	1 1/2	1.628	1.00	6.22	8.46	4.49	3.25	1.50
XV509P-32	2	2.128	1.10	6.22	8.94	5.43	3.52	1.89





## Male/Female Straight Thread Ball Valves Series 510

### Advantages

Parker's forged body ball valve provides extended service life and resists failure caused by severe temperature applications. Optimum flow design assures maximum system efficiency. Highly inert PTFE seats and seals provide resistance to chemical corrosion. Parker also provides a blow-out proof stem, chrome plated brass ball and a specially designed handle enabling increased turning leverage for ease of opening and closing. Parker's ball valve can be readily identified assuring high quality engineering and reliability. This economical ball valve is available in 1/4", 3/8", 1/2", 5/8", 3/4" and 1" male/female straight thread sizes. Parker's ball valve bodies are machined from high quality CA 377 forgings.

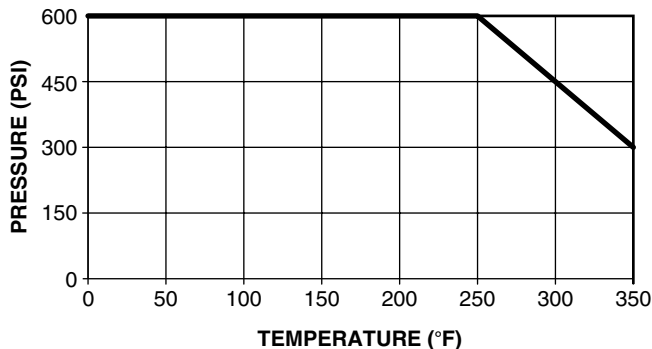
### Applications

Parker's industrial ball valve product line is intended for general purpose use. Please be aware that ball valves are intended for use in the fully open or closed positions. Depending on application conditions, throttling of the valve may result in premature seal failure and/or inability to turn the valve handle.

For use on construction equipment, chemical processing, plastic and rubber manufacturing, pumps and specialized industrial machinery requiring total shut-off capability.

### Working Pressure and Temperature

Saturated steam service up to 150 PSI and 400° F  
 Vacuum, 29 Inches of Mercury  
 Vented up to 250 PSI



### Operating Instructions

Quarter turn is "ON" or "OFF".  
 (Provides positive stop action for full shutoff.)

**NOTE:** PERIODICALLY CHECK THE ADJUSTABLE PACKING NUT AND TIGHTEN AS REQUIRED.

Style	Type	Material	Size	Options
V	510	P	-4	-00
Style	V-Valve VP-Valve, Padlocking Handle			
Type	510 Male/Female Straight Thread O-Ring			
Material	P- Brass			
Size	4-1/4" 6-3/8" 8-1/2" 12-3/4" 16-1"			
Options	01-Stainless Steel Ball & Stem 02-Stainless Steel Handle & Nut 04-Tee Handle 08-Unmarked Yellow Vinyl Handle Cover 21-Oval Handle			

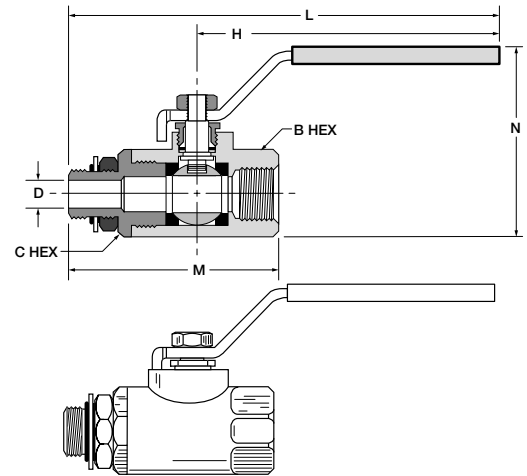
### Flow Data

VALVE SIZE	CV
1/4	0.8
3/8	2.1
1/2	5.3
5/8	7.6
3/4	13.0
1	33.0

K

**Male-Female, Straight Thread O-Ring Port XV510P**

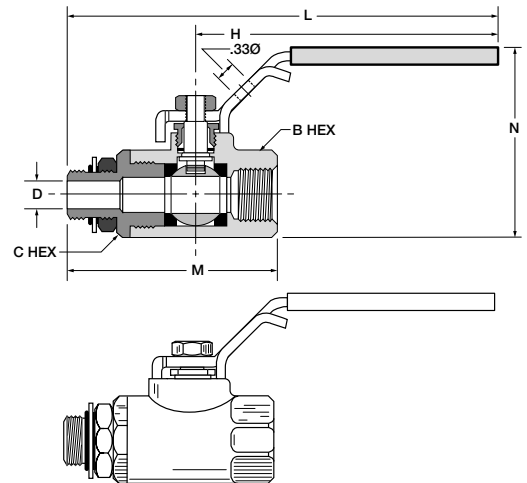
PART NO.	STRT. THREAD	B HEX	C HEX	H	L	M	N	D FLOW Ø
XV510P-4	7/16-20	15/16	15/16	3.96	5.61	2.85	2.47	.188
XV510P-6	9/16-18	15/16	15/16	3.96	5.68	2.92	2.47	.281
XV510P-8	3/4-16	1-1/16	1-1/16	3.96	5.88	3.17	2.58	.422
XV510P-10	7/8-14	1-1/4	1-5/16	3.96	6.31	3.90	2.81	.500
XV510P-12	1-1/16-12	1-1/4	1-5/16	3.96	6.44	4.03	2.81	.656
XV510P-16	1-5/16-12	1-1/2	1-9/16	3.96	6.56	4.28	3.08	.875



**Locking Handle, Straight Thread O-Ring Port XVP510P**

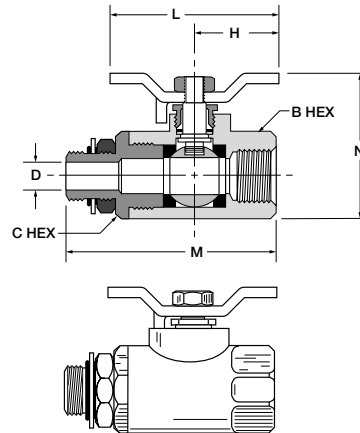
PART NO.	STRT. THREAD	B HEX	C HEX	H	L	M	N	D FLOW Ø
XVP510P-4	7/16-20	15/16	15/16	3.96	5.61	2.85	2.47	.188
XVP510P-6	9/16-18	15/16	15/16	3.96	5.68	2.92	2.47	.281
XVP510P-8	3/4-16	1-1/16	1-1/16	3.96	5.88	3.17	2.58	.422
XVP510P-10	7/8-14	1-1/4	1-5/16	3.96	6.31	3.90	2.81	.500
XVP510P-12	1-1/16-12	1-1/4	1-5/16	3.96	6.44	4.03	2.81	.656

For use with 5/16" Ø shank lock



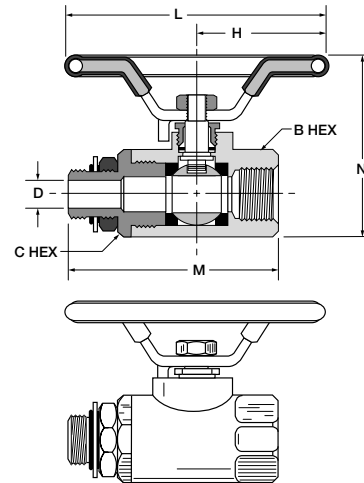
**Tee Handle, Straight Thread O-Ring Port XV510P-X-04**

PART NO.	STRT. THREAD	B HEX	C HEX	H	L	M	N	D FLOW Ø
XV510P-4-04	7/16-20	15/16	15/16	1.25	2.50	2.85	1.87	.188
XV510P-6-04	9/16-18	15/16	15/16	1.25	2.50	2.92	1.87	.281
XV510P-8-04	3/4-16	1-1/16	1-1/16	1.25	2.50	3.17	1.98	.422
XV510P-10-04	7/8-14	1-1/4	1-5/16	1.25	2.50	3.90	2.20	.500
XV510P-12-04	1-1/16-12	1-1/4	1-5/16	1.25	2.50	4.03	2.20	.656
XV510P-16-04	1-5/16-12	1-1/2	1-9/16	1.25	2.50	4.28	2.48	.875

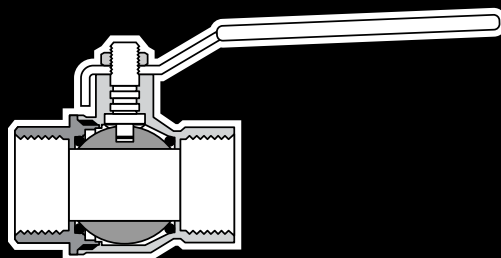


**Oval Handle, Straight Thread O-Ring Port XV510P-X-21**

PART NO.	STRT. THREAD	B & C HEX	H	L	M	N	D FLOW Ø
XV510P-4-21	7/16-20	15/16	1.74	3.49	2.85	2.38	.188
XV510P-6-21	9/16-18	15/16	1.74	3.49	2.92	2.38	.281
XV510P-8-21	3/4-16	1 1/16	1.74	3.49	3.17	2.49	.422



**K**



## Brass Ball Valves Series 520

### Advantages

Parker's forged body ball valve provides extended service life and resists failure caused by severe temperature applications. Full flow design assures maximum system efficiency. Highly inert PTFE seats provide resistance to chemical corrosion. Two Viton o-rings at the stem provide maximum safety with no maintenance. The blow-out proof stem, chrome plated brass ball and a specially designed handle enable increased turning leverage for ease of opening and closing. Parker's ball valve can be readily identified, assuring high quality engineering and reliability. This economical ball valve is available in female pipe sizes.

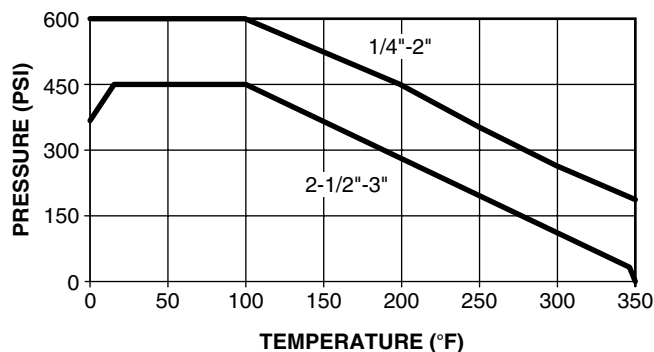
### Applications

Parker's industrial ball valve product line is intended for general purpose use. Please be aware that ball valves are intended for use in the fully open or closed positions. Depending on application conditions, throttling of the valve may result in premature seal failure and/or inability to turn the valve handle.

For use as shutoffs for highway, off highway, and construction equipment vehicles. Water and air service lines on capital equipment and plant design plumbing that require total shutoff capability.

### Working Pressure and Temperature

Saturated steam service up to 150 PSI and 350° F  
Vacuum, 29 Inches of Mercury



Style	Type	Material	Size
V	520	P	-4
Style	V-Valve		
Type	520-Female/Female NPT Ports		
Material	P- Brass		
Size	4-1/4" 6-3/8" 8-1/2" 12-3/4" 16-1"	20-1 1/4" 24-1 1/2" 32-2"	
Options	04-Tee Handle		

### Operating Instructions

Quarter turn is "ON" or "OFF".  
(Provides positive stop action for full shutoff.)

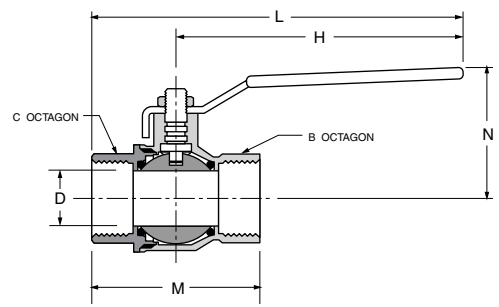
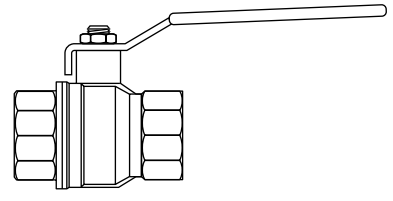
### U.L. Listed

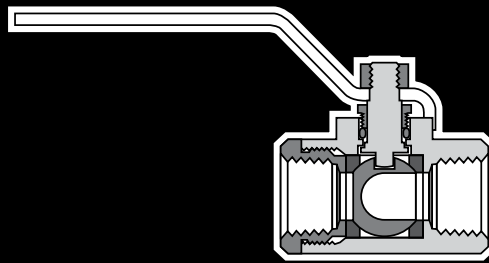
U.L. Category:	
YSDT	LP-Gas Shut-off Valves
YRBX	Flammable Liquid Shut-off Valves
YRPV	Gas Shut-off Valves
YQNZ	Compressed Gas Shut-off Valves

**K**

**Brass Ball Valve XV520P**

PART NO.	PIPE THREAD	B OCTAGON	C OCTAGON	H	L	M	N	D FLOW Ø
XV520P-4	1/4-18	.79	.79	3.94	4.83	1.77	1.50	.310
XV520P-6	3/8-18	.79	.79	3.94	4.83	1.77	1.50	.400
XV520P-8	1/2-14	.98	.98	3.94	5.10	2.32	1.69	.600
XV520P-12	3/4-14	1.22	1.22	4.72	5.98	2.52	1.97	.790
XV520P-16	1-11.5	1.57	1.57	4.72	6.32	3.19	2.13	1.000
XV520P-20	1-1/4	1.93	1.93	6.22	8.05	3.66	2.82	1.250
XV520P-24	1-1/2	2.13	2.13	6.22	8.23	4.02	3.06	1.570
XV520P-32	2	2.69	2.69	6.22	8.58	4.76	3.33	2.000
XV520P-40	2-1/2	3.35	3.35	10.04	13.11	6.14	5.20	2.520
XV520P-48	3	3.89	3.89	10.04	13.52	6.97	5.51	3.000





## Brass Ball Valves

### Series 533 3-Way Diversion / Series 540 4-Way

#### Advantages

Parker's forged body ball valve provides extended service life and resists failure caused by severe temperature applications. Optimum flow design assures maximum system efficiency. Highly inert PTFE seats and seals provide resistance to chemical corrosion. Parker's ball valve can be readily identified assuring high quality engineering and reliability. This ball valve is available with female PTF ports. Parker's ball valve bodies are machined from high quality CA 377 forgings.

#### Applications

Designed for applications requiring flow diversion making tank selection and fluid transfer easy.

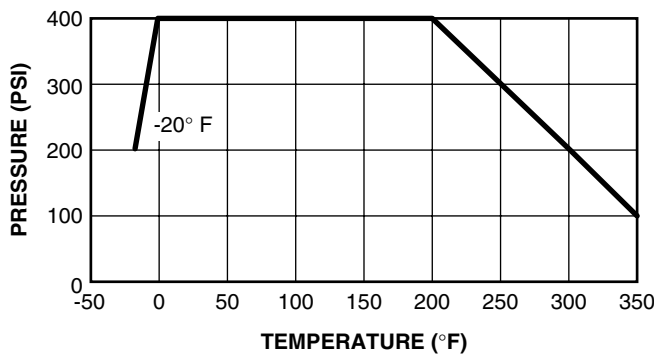
For use on construction equipment, chemical processing, pumps and specialized industrial machinery.

**NOTE:** Diversion valves do not have off positions, therefore, the center port can not be used for shut-off purposes.

#### Working Pressure and Temperature

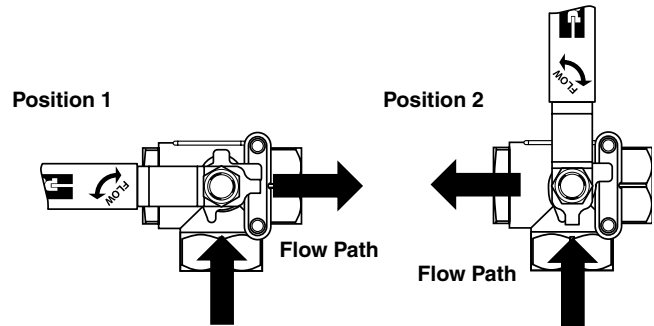
400 PSI and 250° F

Vacuum to 29 inches Hg

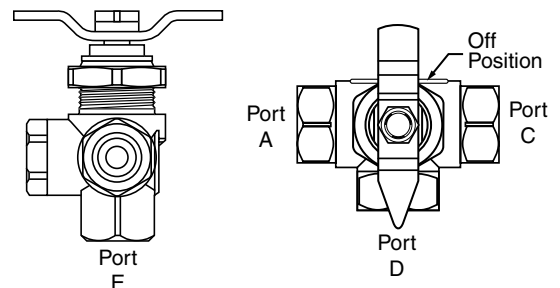


Style	Type	Material	Size	Options
V	533	P	-4	-00
<b>Style</b>	V-Valve			
<b>Type</b>	533 3-Way Diversion, 540 4-Way			
<b>Material</b>	P-Brass			
<b>Size</b>	4-1/4" 6-3/8" 8-1/2" 12-3/4" 16-1"			
<b>Options</b>	02-Stainless Steel Handle & Nut 08-Unmarked Yellow Vinyl Handle Cover			

#### XV533P Handle Positions



#### XV540P Handle Positions

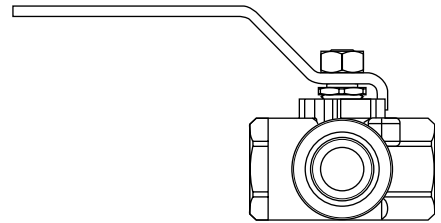
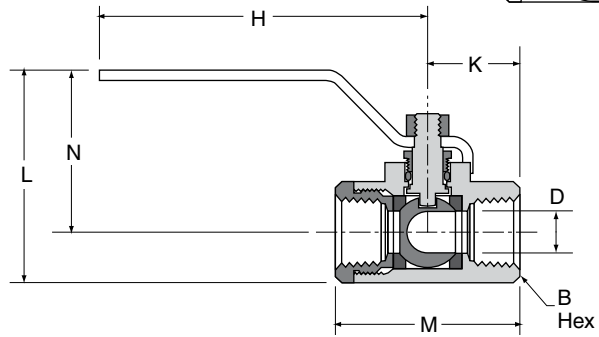
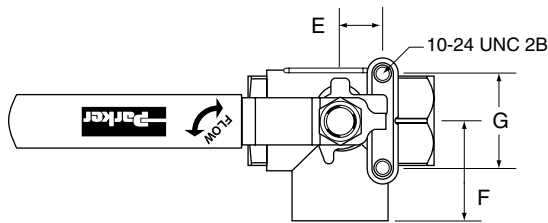


Pointer Over	Flow Path
A	A to E
Off	Closed
C	C to E
D	D to E



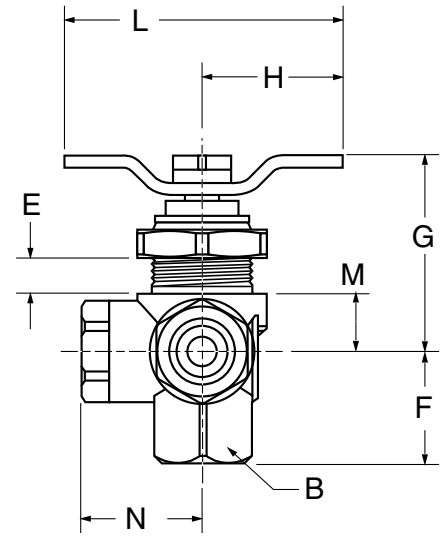
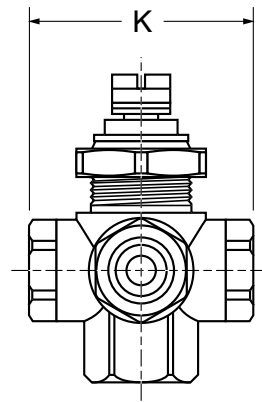
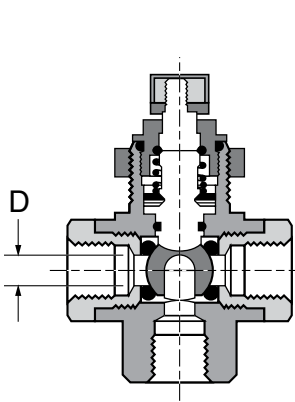
**Female-Female-Female Pipe Ends XV533P**

PART NO.	PIPE THREAD (PTF)	B HEX	E	F	G	H	K	L	M	N	FLOW DIA. D
XV533P-4	1/4	15/16	.50	1.08	1.12	3.96	1.03	2.47	2.03	1.94	.375
XV533P-6	3/8	15/16	.50	1.08	1.12	3.96	1.03	2.47	2.03	1.94	.375
XV533P-8	1/2	1-1/16	.50	1.18	1.12	3.96	1.11	2.58	2.20	1.98	.500
XV533P-12	3/4	1-1/4	.87	1.43	1.37	3.96	1.42	2.90	2.83	2.17	.685
XV533P-16	1	1-9/16	.87	1.62	1.37	3.96	1.58	3.21	3.16	2.32	.875



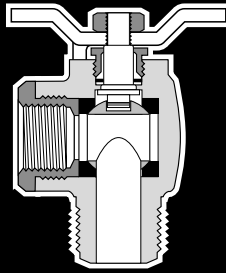
**Female-Female-Female-Female Pipe Ends XV540P**

PART NO.	PIPE THREAD (PTF)	B HEX	E	F	G	H	K	L	M	N	FLOW DIA. D
XV540P-4	1/4	7/8	.32	1.00	1.76	1.25	1.98	2.49	.52	1.07	.250



**K**





## 90° Ball Valves Series 590/591

### Advantages

Parker's forged body valve provides extended service life and resists failure caused by severe temperature applications. Optimum flow design assures maximum system efficiency. Highly inert PTFE seats and seals provide resistance to chemical corrosion. Parker also provides a blow-out proof stem and chrome plated brass ball on all series 590/591 valves. Parker's 590/591 series valve bodies are machined from high quality CA377 forgings.

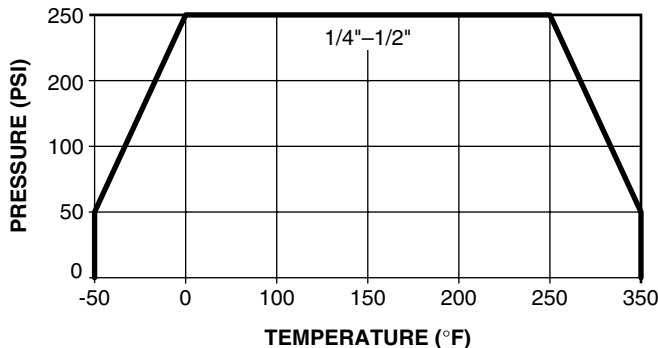
### Applications

Parker's industrial ball valve product line is intended for general purpose use. Please be aware that ball valves are intended for use in the fully open or closed positions. Depending on application conditions, throttling of the valve may result in premature seal failure and/or inability to turn the valve handle.

For use as fuel line shutoffs for gasoline and diesel powered over the highway, off highway and construction equipment vehicles. Water and air service lines on capital equipment and plant design plumbing that require total shut-off capability.

### Working Pressure and Temperature

Saturated steam service up to 150 PSI and 400° F  
Vacuum, 29 Inches of Mercury



### Operating Instructions

Quarter turn is "on" or "off".  
(Provides positive stop action for full shut-off.)

**NOTE:** PERIODICALLY CHECK THE ADJUSTABLE PACKING NUT AND TIGHTEN AS REQUIRED.

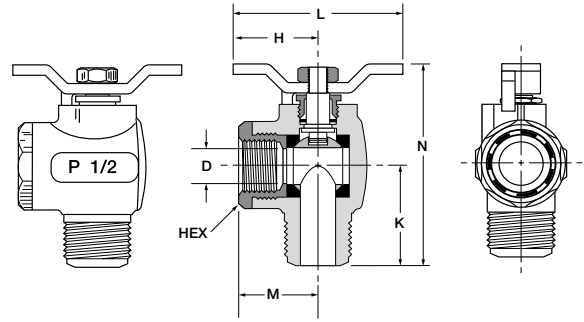
Style	Type	Material	Size	Options
V	590	P	-8	-00
Style	V-Valve			
Type	590-90 Male/Female 591-90 Male/Male			
Material	P- Brass			
Size	4-1/4" 6-3/8" 8-1/2"			
Options	04-Lever Handle 08-Unmarked Yellow Vinyl Handle Cover			

Note: 90° Ball Valve Series 590/591 has a tee handle as standard. A Lever Handle is available as option 04.

**K**

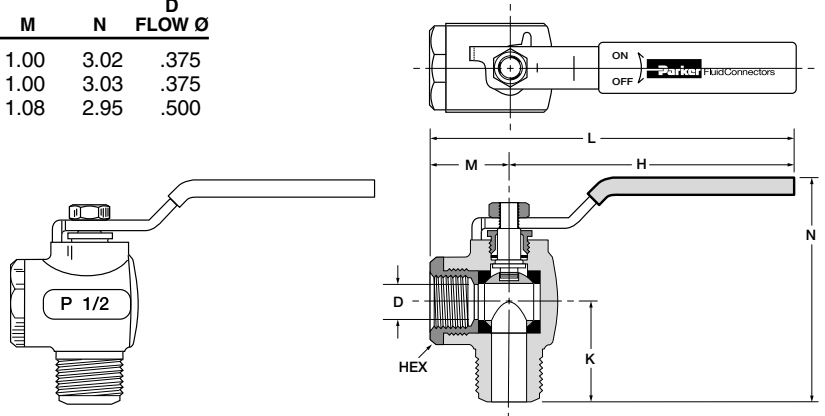
**90° Flow, Male-Female Pipe Ends XV590P**

PART NO.	PIPE THREAD	PTF HEX	H	K	L	M	N	D FLOW Ø
XV590P-4	1/4	15/16	1.25	1.08	2.50	1.00	2.42	.375
XV590P-6	3/8	15/16	1.25	1.09	2.50	1.00	2.43	.375
XV590P-8	1/2*	1-1/16	1.25	1.30	2.50	1.08	2.67	.500



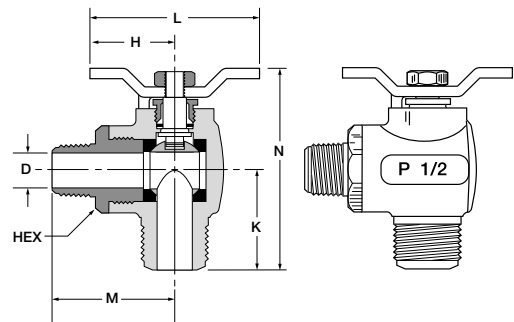
**Lever Handle, 90° Flow, Male-Female Pipe Ends XV590P-X-04**

PART NO.	PIPE THREAD	PTF HEX	H	K	L	M	N	D FLOW Ø
XV590P-4-04	1/4	15/16	3.96	1.08	4.96	1.00	3.02	.375
XV590P-6-04	3/8	15/16	3.96	1.09	4.96	1.00	3.03	.375
XV590P-8-04	1/2*	1-1/16	3.80	1.30	4.88	1.08	2.95	.500



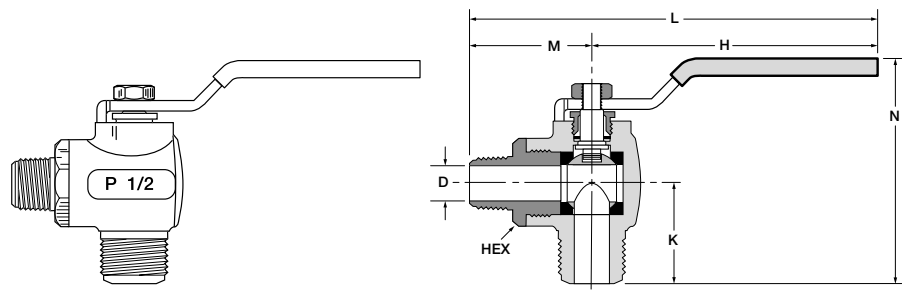
**90° Flow, Male-Male Pipe Ends XV591P**

PART NO.	PIPE THREAD	HEX	H	K	L	M	N	D FLOW Ø
XV591P-4	1/4	15/16	1.25	1.08	2.50	1.56	2.42	.375
XV591P-6	3/8	15/16	1.25	1.09	2.50	1.56	2.43	.375
XV591P-8	1/2	1-1/16	1.25	1.30	2.50	1.84	2.67	.500



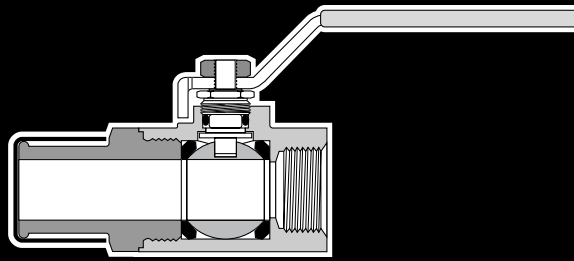
**Lever Handle, 90° Flow, Male-Male Pipe Ends XV591P-X-04**

PART NO.	PIPE THREAD	HEX	H	K	L	M	N	D FLOW Ø
XV591P-4-04	1/4	15/16	3.96	1.08	5.52	1.56	3.02	.375
XV591P-6-04	3/8	15/16	3.96	1.09	5.52	1.56	3.03	.375
XV591P-8-04	1/2	1-1/16	3.80	1.30	5.64	1.84	2.95	.500



\*PTF special short

**K**



## Brass Hose Barb Ball Valves Series 500HB

### Advantages

Parker's forged body ball valve provides extended service life and resists failure caused by severe temperature applications. Optimum flow design assures maximum system efficiency. Highly inert PTFE seats and seals provide resistance to chemical corrosion. The hose barb end configuration eliminates as fitting and possible leak path. Parker also provides a blow-out proof stem, chrome plated brass ball and a specially designed handle enabling increased turning leverage for ease of opening and closing. Parker's ball valve can be readily identified assuring high quality engineering and reliability. Parker's ball valve bodies are machined from high quality CA 377 forgings.

### Applications

Parker's industrial ball valve product line is intended for general purpose use. Please be aware that ball valves are intended for use in the fully open or closed positions. Depending on application conditions, throttling of the valve may result in premature seal failure and/or inability to turn the valve handle. For use on construction equipment, chemical processing, plastic and rubber manufacturing, pumps, power units, and specialized industrial machinery requiring total shut-off capability.

### Working Pressure and Temperature

150 psi WOG and 350° F  
Saturated steam service up to 150 PSI and 350° F  
Vacuum, 29 Inches of Mercury

### Operating Instructions

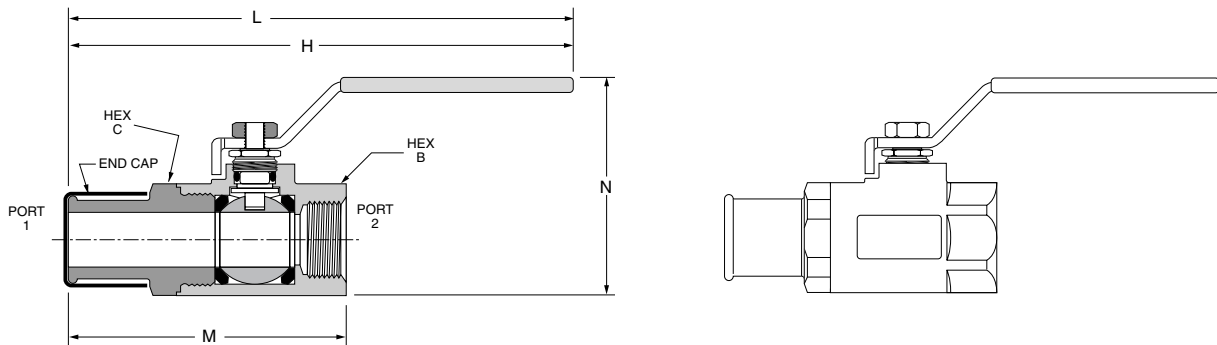
Quarter turn is "ON" or "OFF".  
(Provides positive stop action for full shutoff.)

*Note: Periodically check the adjustable packing nut and tighten as required.*

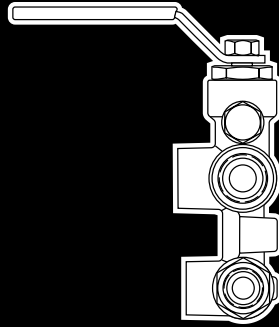
### Brass Hose Barb Ball Valve XV500P-HB

PART NO.	PORT 1	PORT 2 PTF	B HEX	C HEX	H	L	M	N	FLOW DIA. D
XV500P-12-16HB	1	3/4*	1-1/4	1-5/16	3.96	6.25	3.41	2.81	.685

\*PTF special extra short



K



## Brass Ball Valves Series 600 Six Port Diversion

### Advantages

Parker's forged body ball valve provides extended service life and resists failure caused by severe temperature applications. Full flow design assures maximum system efficiency. Highly inert PTFE seats and seals provide resistance to chemical corrosion. Viton o-rings seal between the upper and lower halves protect against cross-contamination of fluids. Parker's ball valve can be readily identified assuring high quality engineering and reliability. This ball valve is available with female PTF ports. Parker's ball valve bodies are machined from high quality CA 377 forgings.

### Applications

This valve can be used on applications where a fluid return or spillback is required.

For use on construction equipment, chemical processing, diesel engines, filter banks, pumps and specialized industrial machinery.

NOTE: Diversion valves do not have off positions, therefore, the center ports can not be used for shut-off purposes.

### Working Pressure and Temperature

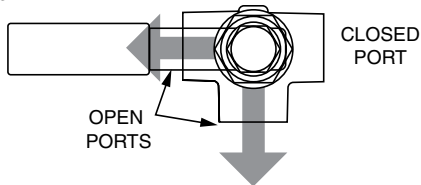
150 PSI and 250° F  
Vacuum, 29 Inches of Mercury

### Operating Instructions

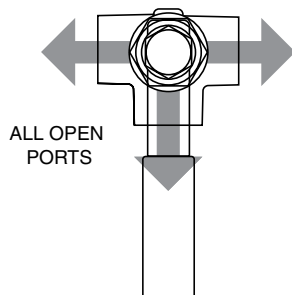
Position handle in quarter-turn increments to desired flow configuration. Detent mechanism assists in accurately positioning handle.

### Series 600 Handle Positions

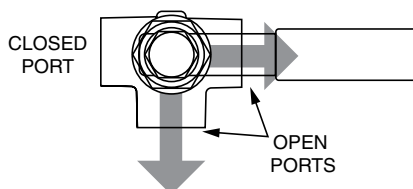
Position 1



Position 2

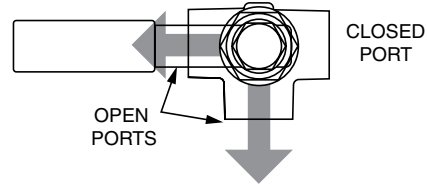


Position 3

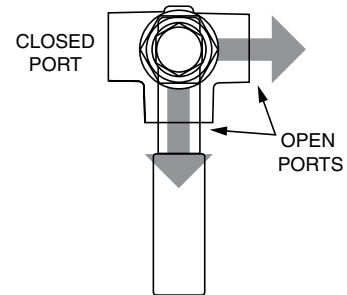


### Series 633 Handle Positions

Position 1



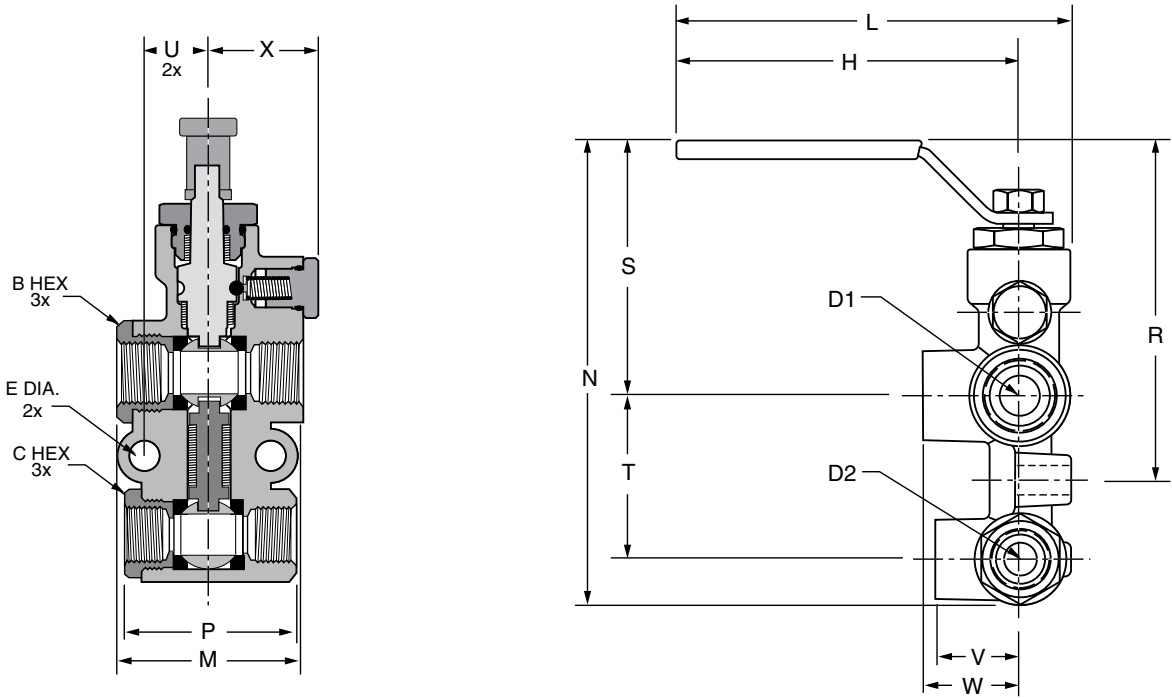
Position 2



K

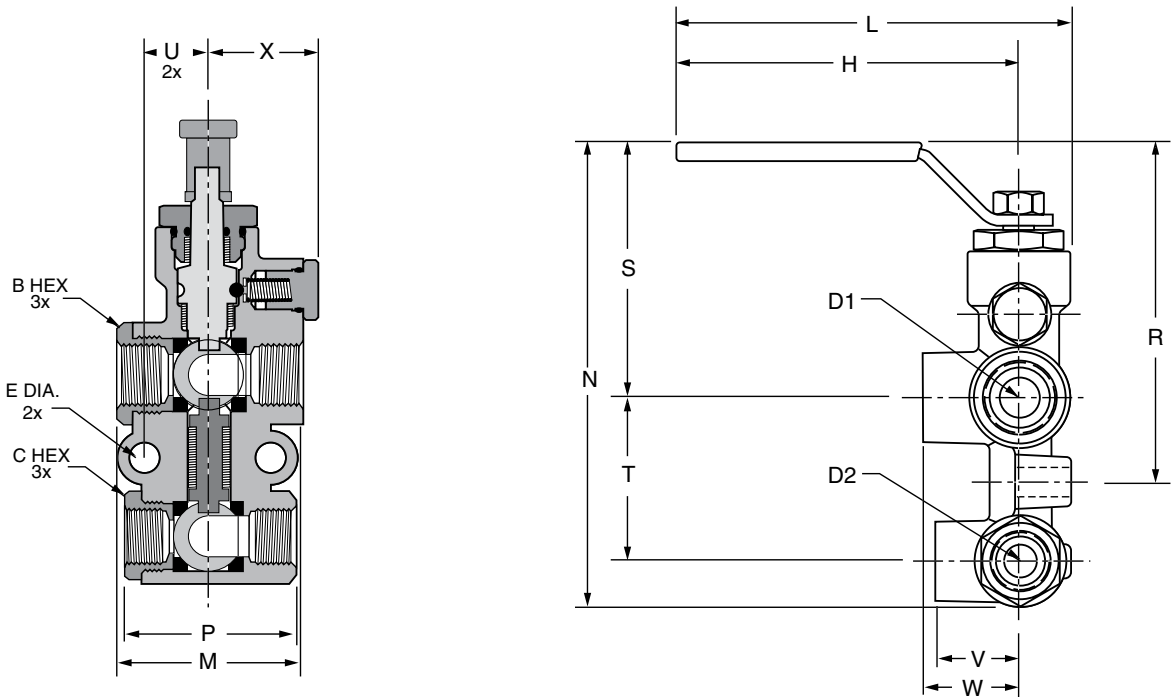
**Six Port Diversion Brass Valve XV600P**

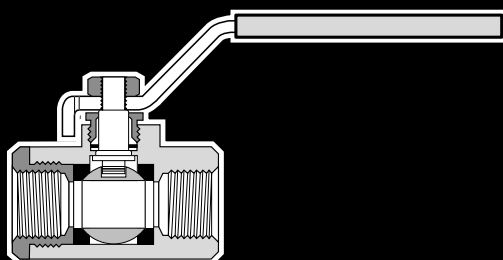
PART NO.	PIPE THD. TOP PORT SPL SHORT	PIPE THD. BOTTOM PORT PTF	B HEX	C HEX	D1 FLOW	D2 FLOW	E	H	L	M	N	P	R	S	T	U	V	W	X
XV600P-8-6	1/2	3/8	1 1/16	15/16	.500	.375	.34	3.96	4.56	2.20	5.43	2.03	3.98	2.99	1.91	.73	.98	1.12	1.31



**Six Port Diversion Brass Valve XV633P**

PART NO.	PIPE THD. TOP PORT SPL SHORT	PIPE THD. BOTTOM PORT PTF	B HEX	C HEX	D1 FLOW	D2 FLOW	E	H	L	M	N	P	R	S	T	U	V	W	X
XV633P-8-6	1/2	3/8	1 1/16	15/16	.500	.375	.34	3.96	4.56	2.20	5.43	2.03	3.98	2.99	1.91	.73	.98	1.12	1.31





## Carbon Steel Ball Valves Series 500CS/502CS

### Advantages

Parker's carbon steel ball valves have a hex shaped body for easy installation. Highly inert PTFE seats and seals combined with an external phosphate coating provide superior corrosion resistance. Parker also provides a blow-out proof stem and a specially designed handle enabling increased turning leverage for ease of opening and closing. Parker's ball valve can be readily identified assuring high quality engineering and reliability. This economical ball valve is available in female pipe sizes.

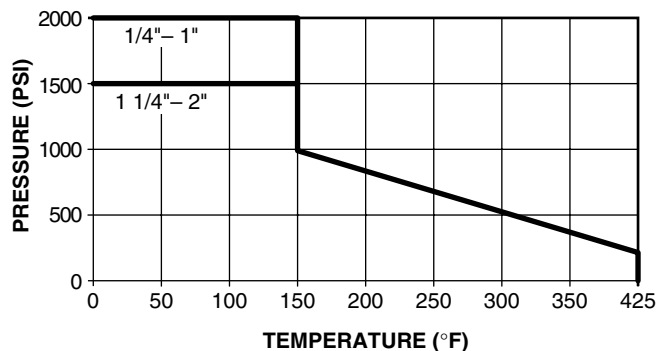
### Applications

Parker's industrial ball valve product line is intended for general purpose use. Please be aware that ball valves are intended for use in the fully open or closed positions. Depending on application conditions, throttling of the valve may result in premature seal failure and/or inability to turn the valve handle.

For use as fuel line shutoffs for gasoline and diesel powered over the highway, off highway, and construction equipment vehicles. Hydraulic and general industrial applications on capital equipment and plant design plumbing that require total shutoff capability.

### Working Pressure and Temperature

Saturated steam service up to 150 PSI



### Operating Instructions

Quarter turn is "ON" or "OFF".  
(Provides positive stop action for full shutoff.)

**NOTE:** PERIODICALLY CHECK THE ADJUSTABLE PACKING NUT AND TIGHTEN AS REQUIRED.

Style	Type	Material	Size	Options
V	500	CS	-4	-00
Style	V-Valve VP-Valve, Padlocking Handle			
Type	500-Female/Female PTF Ports			
Material	CS- Carbon Steel			
Size	4-1/4" 6-3/8" 8-1/2" 12-3/4" 16-1"			
Options	04-Tee Handle 21-Oval Handle			

Style	Type	Material	Size	Options
V	502	CS	-20	-00
Style	V-Valve VP-Valve, Padlocking Handle			
Type	502-Female/Female PTF Ports			
Material	CS- Carbon Steel			
Size	20-1 1/4" 24-1 1/2" 32-2"			
Options	04-Tee Handle 21-Oval Handle			

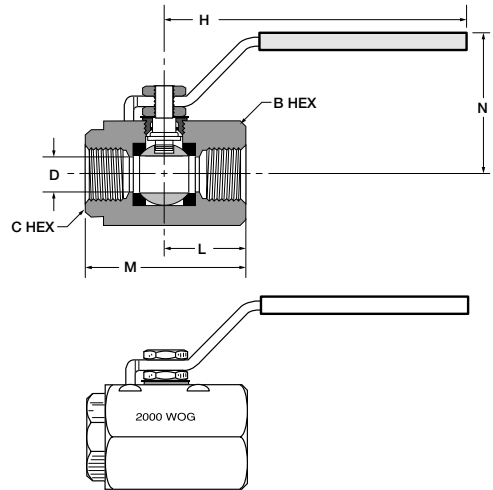
### Flow data

VALVE SIZE	CV
1/4	6.0
3/8	12.0
1/2	15.0
3/4	23.0
1	36.0
1 1/4	44.0
1 1/2	64.0
2	114.0

K

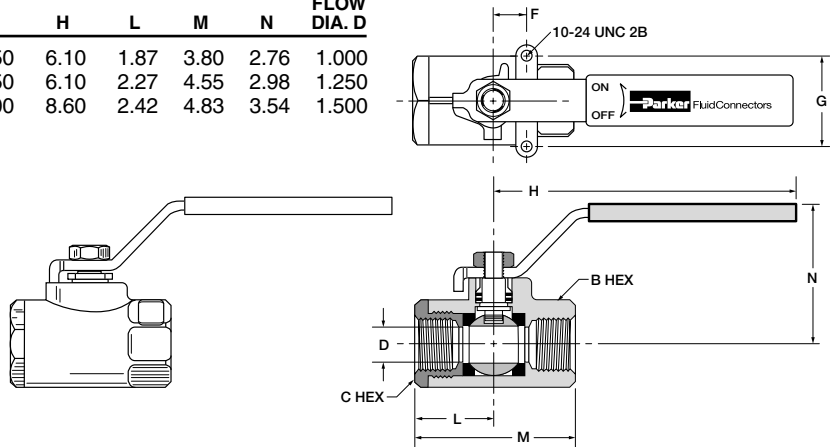
**Female-Female Pipe Ends XV500CS**

PART NO.	PIPE THREAD	B HEX	C HEX	H	L	M	N	D FLOW Ø
XV500CS-4	1/4	1-1/16	15/16	3.78	1.00	2.00	1.63	.400
XV500CS-6	3/8	1-1/16	15/16	3.78	1.00	2.00	1.63	.400
XV500CS-8	1/2	1-1/4	1-1/16	3.78	1.25	2.37	1.73	.540
XV500CS-12	3/4	1-5/8	1-3/8	5.10	1.50	2.90	2.08	.680
XV500CS-16	1	2	1-5/8	5.10	1.76	3.41	2.30	.880



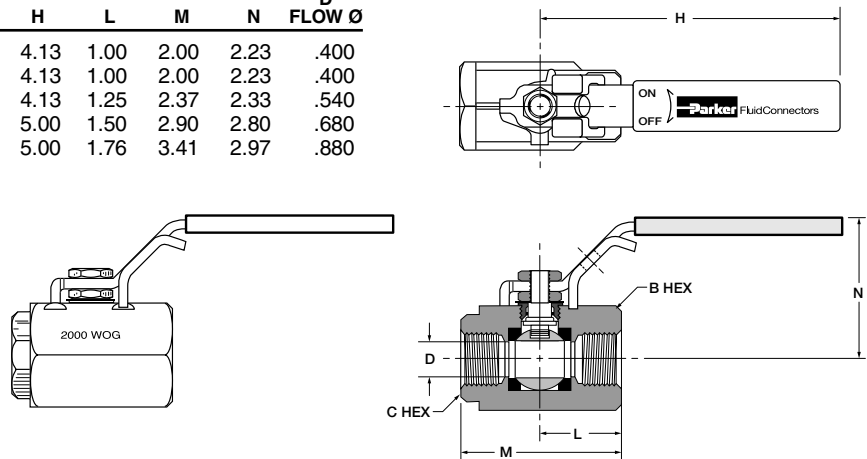
**Female-Female Pipe Ends, Panel Mount XV502CS**

PART NO.	PIPE THREAD	B HEX	C HEX	F	G	H	L	M	N	FLOW DIA. D
XV502CS-20	1-1/4	2	2-1/4	.94	1.50	6.10	1.87	3.80	2.76	1.000
XV502CS-24	1-1/2	2-5/16	2-1/2	.94	1.50	6.10	2.27	4.55	2.98	1.250
XV502CS-32	2	2-3/4	3	1.03	2.00	8.60	2.42	4.83	3.54	1.500



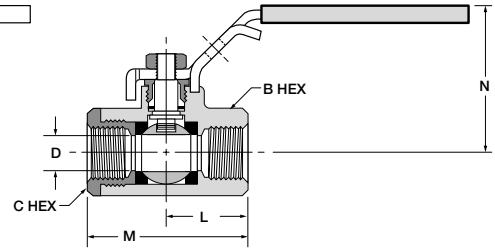
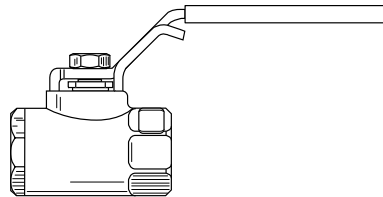
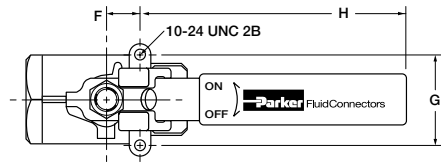
**Locking Handle, Female Pipe Ends XVP500CS**

PART NO.	PIPE THREAD	B HEX	C HEX	H	L	M	N	D FLOW Ø
XVP500CS-4	1/4	1-1/16	15/16	4.13	1.00	2.00	2.23	.400
XVP500CS-6	3/8	1-1/16	15/16	4.13	1.00	2.00	2.23	.400
XVP500CS-8	1/2	1-1/4	1-1/16	4.13	1.25	2.37	2.33	.540
XVP500CS-12	3/4	1-5/8	1-3/8	5.00	1.50	2.90	2.80	.680
XVP500CS-16	1	2	1-5/8	5.00	1.76	3.41	2.97	.880



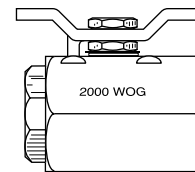
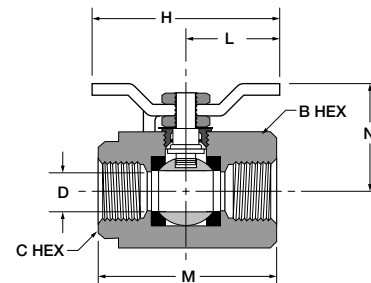
**Locking Handle, Female Pipe Ends, Panel Mount XVP502CS**

PART NO.	PIPE THREAD	B HEX	C HEX	F	G	H	L	M	N	FLOW DIA. D
XVP502CS-20	1-1/4	2	2-1/4	.94	1.50	7.50	1.87	3.80	3.15	1.000
XVP502CS-24	1-1/2	2-5/16	2-1/2	.94	1.50	7.50	2.27	4.55	3.37	1.250
XVP502CS-32	2	2-3/4	3	1.03	2.00	8.75	2.42	4.83	3.46	1.50



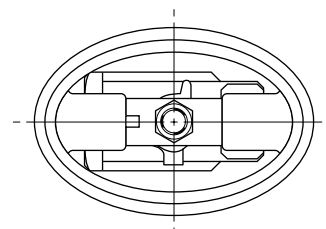
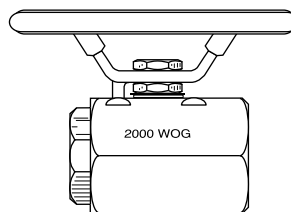
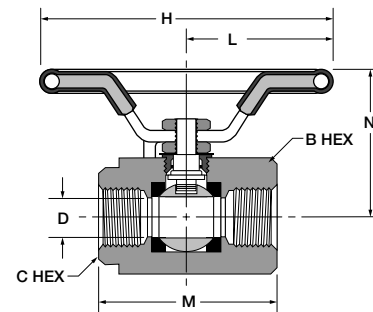
**Tee Handle, Female Pipe Ends XV500CS-X-04**

PART NO.	PIPE THREAD	B HEX	C HEX	H	L	M	N	D FLOW Ø
XV500CS-4-04	1/4	1-1/16	15/16	2.16	1.08	2.00	1.41	.400
XV500CS-6-04	3/8	1-1/16	15/16	2.16	1.08	2.00	1.41	.400
XV500CS-8-04	1/2	1-1/4	1-1/16	2.90	1.45	2.37	1.66	.540
XV500CS-12-04	3/4	1-5/8	1-3/8	3.63	1.81	2.90	2.06	.680
XV500CS-16-04	1	2	1-5/8	3.63	1.81	3.41	2.23	.880



**Oval Handle, Female Pipe Ends XV500CS-X-21**

PART NO.	PIPE THREAD	B HEX	C HEX	H	L	M	N	D FLOW Ø
XV500CS-4-21	1/4	1-1/16	15/16	3.50	1.00	2.00	1.66	.400
XV500CS-6-21	3/8	1-1/16	15/16	3.50	1.00	2.00	1.66	.400
XV500CS-8-21	1/2	1-1/4	1-1/16	3.50	1.13	2.37	1.76	.540
XV500CS-12-21	3/4	1-5/8	1-3/8	5.00	1.46	2.90	2.13	.680
XV500CS-16-21	1	2	1-5/8	5.00	1.58	3.41	2.29	.880

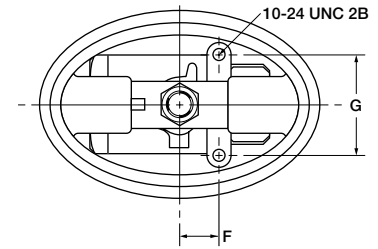
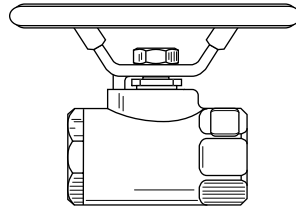
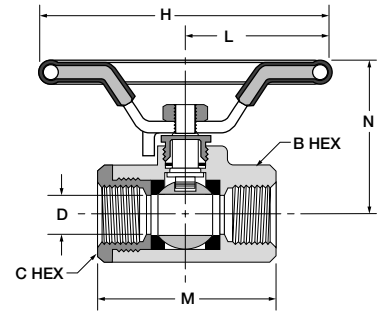


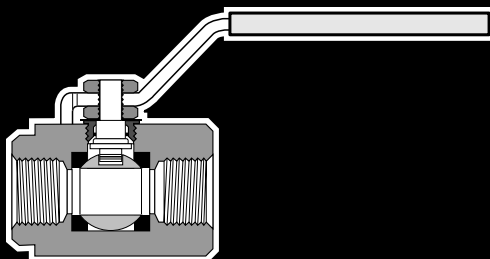
**K**



**Oval Handle, Female Pipe Ends, Panel Mount XV502CS-X-21**

PART NO.	PIPE THREAD	B HEX	C HEX	F	G	H	L	M	N	FLOW DIA. D
XV502CS-20-21	1-1/4	2	2-1/4	.94	1.50	5.07	2.53	3.80	3.04	1.000
XV502CS-24-21	1-1/2	2-5/16	2-1/2	.94	1.50	5.07	2.53	4.55	3.26	1.250
XV502CS-32-21	2	2-3/4	3	1.03	2.00	6.50	3.25	4.83	3.57	1.500





## Carbon Steel Ball Valves Series 506CS

### Advantages

Parker's carbon steel ball valves have a hex shaped body for easy installation. Highly inert PTFE seats and seals combined with an external phosphate coating provide superior corrosion resistance. Parker also provides a blow-out proof stem and a specially designed handle enabling increased turning leverage for ease of opening and closing. Parker's ball valve can be readily identified assuring high quality engineering and reliability. This economical ball valve is available in female SAE straight thread sizes. The full flow design allows for minimum flow restriction.

### Applications

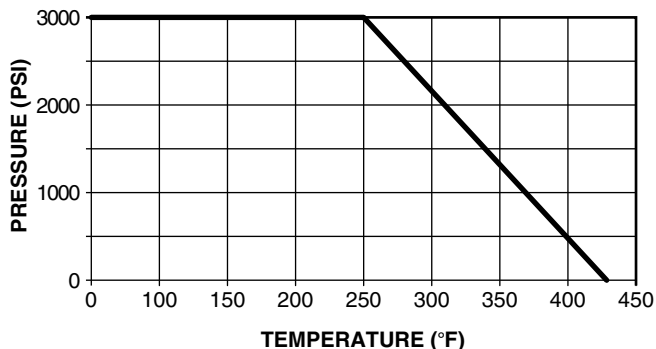
Parker's industrial ball valve product line is intended for general purpose use. Please be aware that ball valves are intended for use in the fully open or closed positions. Depending on application conditions, throttling of the valve may result in premature seal failure and/or inability to turn the valve handle.

For use as fuel line shutoffs for gasoline and diesel powered over the highway, off highway, and construction equipment vehicles. Hydraulic and general industrial applications on capital equipment and plant design plumbing that require total shutoff capability.

### Working Pressure and Temperature

Saturated steam service up to 150 PSI

Vacuum, 29 inches of Mercury



### Operating Instructions

Quarter turn is "ON" or "OFF".

(Provides positive stop action for full shutoff.)

Style	Type	Material	Size
V	506	CS	-4
Style	V-Valve VP-Valve, Padlocking Handle		
Type	506-Female/Female SAE Straight Thread Ports		
Material	CS-Carbon Steel		
Size	4-1/4" 6-3/8" 8-1/2" 12-3/4" 16-1"		

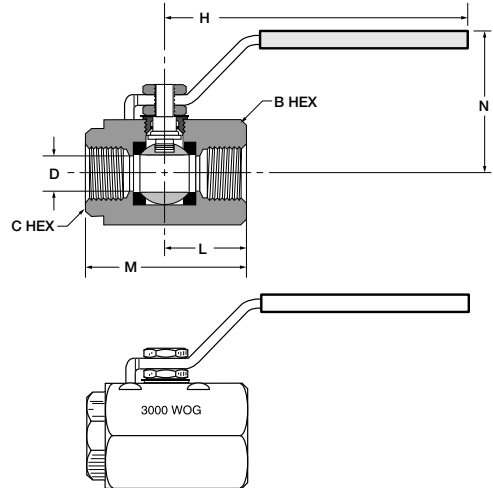
### Flow data

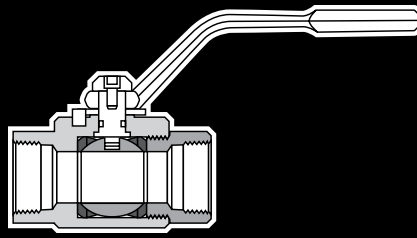
VALVE SIZE	CV
1/4	6.0
3/8	12.0
1/2	15.0
3/4	34.0
1	54.0

K

**Female-Female SAE Straight Thread Ports XV506CS**

PART NO.	STRAIGHT THREAD	B HEX	C HEX	H	L	M	N	D FLOW Ø
XV506CS-4	7/16-20	1-1/16	15/16	3.78	1.00	2.00	1.63	.400
XV506CS-6	9/16-18	1-1/16	15/16	3.78	1.00	2.00	1.63	.400
XV506CS-8	3/4-16	1-5/8	1-1/4	4.78	1.32	2.84	2.16	.500
XV506CS-12	1-1/16-12	1-7/8	1-5/8	4.78	1.66	3.71	2.35	.750
XV506CS-16	1-5/16-12	2-1/2	2-1/8	6.10	1.88	4.15	2.85	1.000





# High Pressure Carbon Steel Ball Valves Series 500HP, 506HP, 507HP

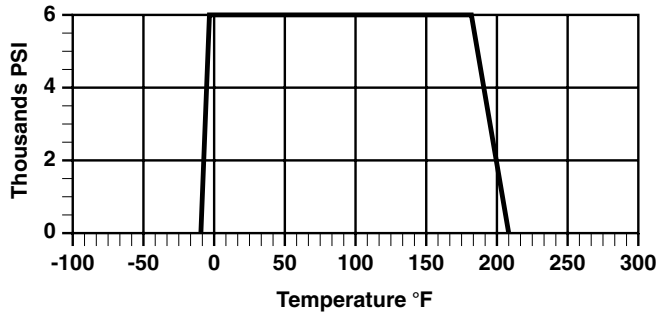
### Advantages

Parker's high pressure carbon steel ball valves feature a round or square body with hex shaped ports for easy installation. Delrin™ seats with Molybdenum disulphide (MoS<sub>2</sub>) results in lower actuation torque and will increase high duty life cycle expectancy. The stem seals are Nitrile O-Rings. All sizes are full ported, which means an unrestricted bore and minimum flow restriction. Available port configurations are NPT and SAE straight thread and ISO 6149 threads 1/4 inch through 2 inch.

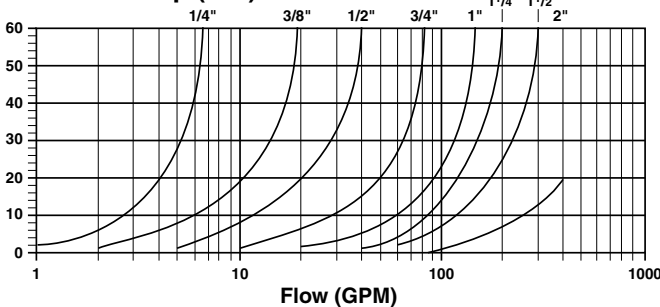
### Applications

Parker's industrial ball valve product line is intended for general purpose use. Please be aware that ball valves are intended for use in the fully open or closed positions. Depending on application conditions, throttling of the valve may result in premature seal failure and/or inability to turn the valve handle.

For use as fuel line shutoffs for gasoline and diesel powered over the highway, off highway, and construction equipment vehicles. Hydraulic and general industrial applications on capital equipment and plant design plumbing that require total shutoff capability.



### Pressure Drop (PSI)



### Working Pressure and Temperature

#### Operating Instructions

Quarter turn is "ON" or "OFF".  
(Provides positive stop action for full shutoff.)

Style	Type	Material	Size
V	500	HP	-4
Style	V-Valve VP-Valve, Padlocking Handle		
Type	500-Female/Female NPT Ports		
Material	HP-High Pressure Carbon Steel		
Size	4-1/4" 6-3/8" 8-1/2" 12-3/4"	16-1" 20-1 1/4" 24-1 1/2" 32-2"	

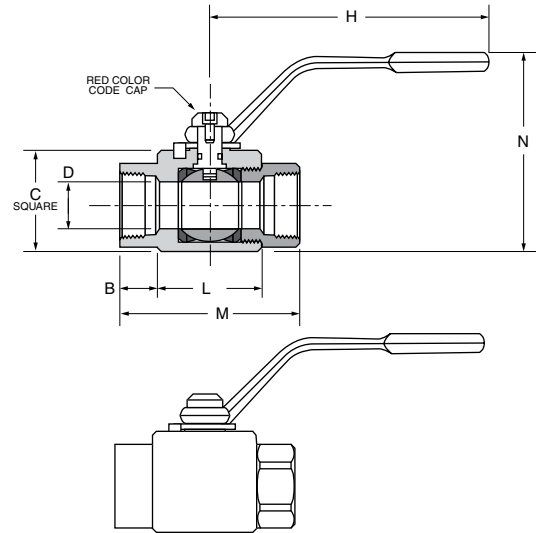
Style	Type	Material	Size
V	506	HP	-20
Style	V-Valve VP-Valve, Padlocking Handle		
Type	506-Female/Female SAE Straight Thread Ports		
Material	HP-High Pressure Carbon Steel		
Size	4-1/4" 6-3/8" 8-1/2" 12-3/4"	16-1" 20-1 1/4" 24-1 1/2" 32-2"	

Style	Type	Material	Size
V	507	HP	-M18
Style	V-Valve		
Type	507-Female / Female ISO 6149 Ports		
Material	HP-High Pressure Carbon Steel		
Size	M18x1.5 M27x2		

K

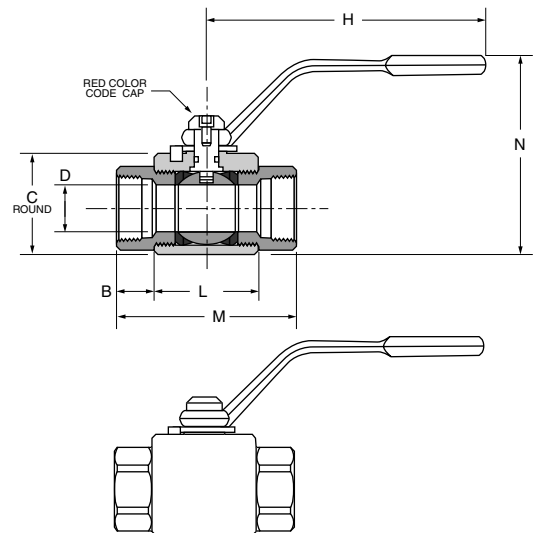
**6000 PSI Female-Female Pipe Ends XV500HP-X**

PART NO.	PIPE THREAD [NPT]	B	C	H	L	M	N	FLOW DIA. D
XV500HP-4	1/4-18	.69	1.38	4.50	1.44	2.75	2.94	.240
XV500HP-6	3/8-18	.56	1.50	4.50	1.69	2.88	3.06	.390
XV500HP-8	1/2-14	.75	1.63	4.50	1.88	3.38	3.19	.510
XV500HP-12	3/4-14	.69	2.25	7.00	2.41	3.81	4.69	.790
XV500HP-16	1-11.5	.94	2.50	7.00	2.56	4.50	4.94	.950



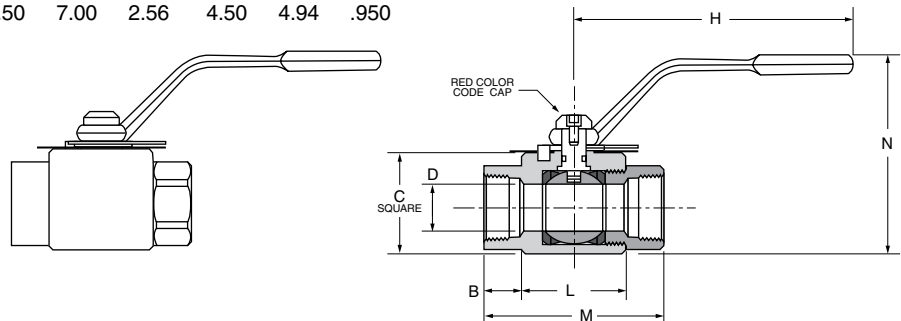
**6000 PSI Female-Female Pipe Ends XV500HP-X (LARGE)**

PART NO.	PIPE THREAD [NPT]	B	C	H	L	M	N	FLOW DIA. D
XV500HP-20	1 1/4-11.5	.85	3.25	10.00	3.15	4.84	6.31	1.26
XV500HP-24	1 1/2-11.5	.99	3.75	10.00	3.35	5.33	6.76	1.50
XV500HP-32	2-11.5	1.30	4.50	10.00	3.94	6.54	7.42	1.89



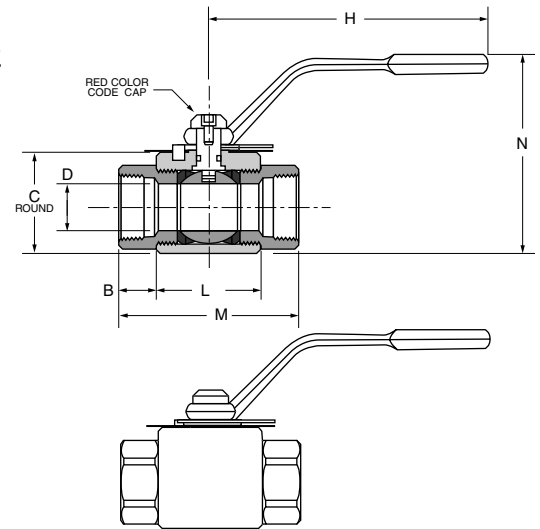
**6000 PSI Locking-Female-Female Pipe Ends XVP500HP-X**

PART NO.	PIPE THREAD [NPT]	B	C	H	L	M	N	FLOW DIA. D
XVP500HP-4	1/4-18	.69	1.38	4.50	1.44	2.75	2.94	.240
XVP500HP-6	3/8-18	.56	1.50	4.50	1.69	2.88	3.06	.390
XVP500HP-8	1/2-14	.75	1.63	4.50	1.88	3.38	3.19	.510
XVP500HP-12	3/4-14	.69	2.25	7.00	2.41	3.81	4.69	.790
XVP500HP-16	1-11.5	.94	2.50	7.00	2.56	4.50	4.94	.950



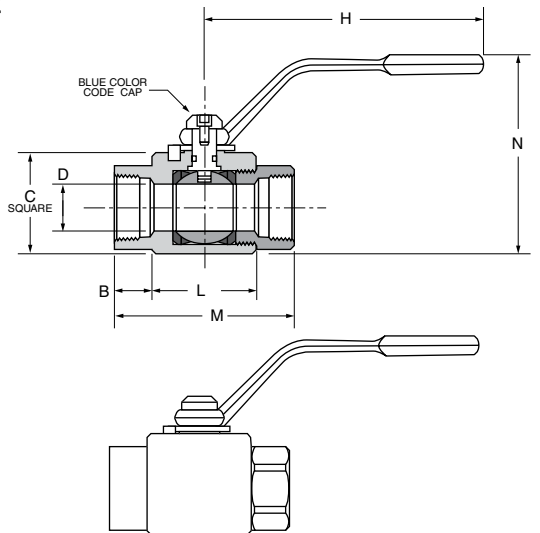
**6000 PSI Locking-Female-Female Pipe Ends XVP500HP-X (LARGE)**

PART NO.	PIPE THREAD [NPT]	B	C	H	L	M	N	FLOW DIA. D
XVP500HP-20	1 1/4-11.5	.85	3.25	10.00	3.15	4.84	6.31	1.26
XVP500HP-24	1 1/2-11.5	.99	3.75	10.00	3.35	5.33	6.76	1.50
XVP500HP-32	2-11.5	1.30	4.50	10.00	3.94	6.54	7.42	1.89



**6000 PSI Female-Female Straight Thread Ends XV506HP-X**

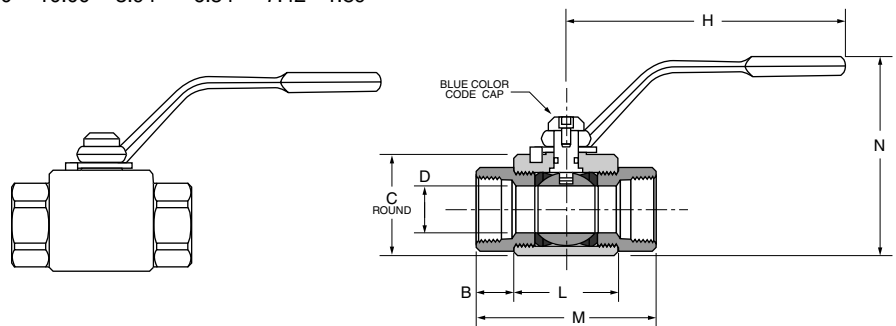
PART NO.	SAE J1926-1 THREAD	B	C	H	L	M	N	FLOW DIA. D
XV506HP-4	7/16-20 UNF	.69	1.38	4.50	1.44	2.75	2.94	.240
XV506HP-6	9/16-18 UNF	.56	1.50	4.50	1.69	2.88	3.06	.390
XV506HP-8	3/4-16 UNF	.75	1.63	4.50	1.88	3.38	3.19	.510
XV506HP-12	1 1/16-12 UNF	.69	2.25	7.00	2.41	3.81	4.69	.790
XV506HP-16	1 5/16-12 UNF	.94	2.50	7.00	2.56	4.50	4.94	.950



**K**

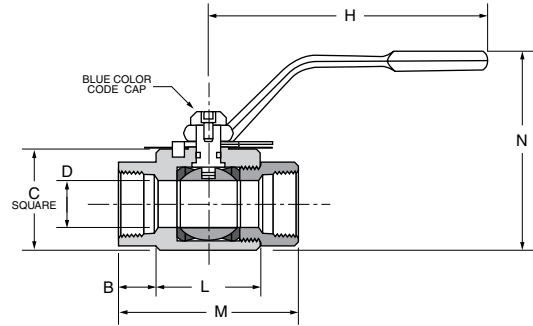
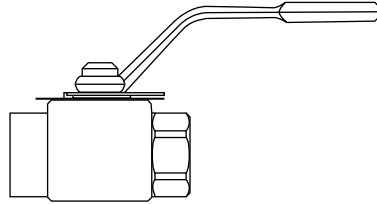
**6000 PSI Female-Female Straight Thread Ends XV506HP-X (LARGE)**

PART NO.	SAE J1926-1 THREAD	B	C	H	L	M	N	FLOW DIA. D
XV506HP-20	1 5/8-12 UNF	.85	3.25	10.00	3.15	4.84	6.31	1.26
XV506HP-24	1 7/8-12 UNF	.99	3.75	10.00	3.35	5.33	6.76	1.50
XV506HP-32	2 1/2-12 UNF	1.30	4.50	10.00	3.94	6.54	7.42	1.89



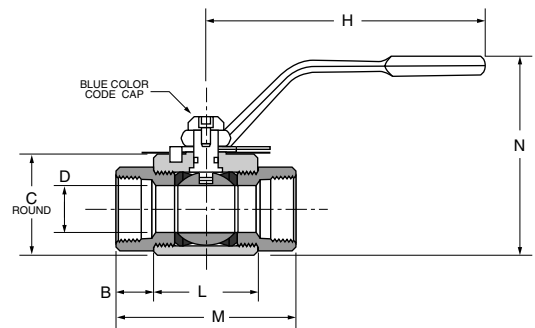
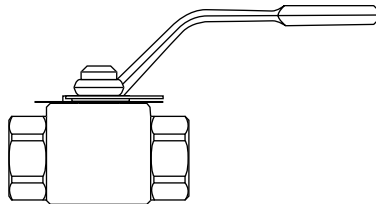
**6000 PSI Locking-Female-Female Straight Thread Ends XVP506HP-X**

PART NO.	SAE J1926-1 THREAD	B	C	H	L	M	N	FLOW DIA. D
XVP506HP-4	7/16-20 UNF	.69	1.38	4.50	1.44	2.75	2.94	.240
XVP506HP-6	9/16-18 UNF	.56	1.50	4.50	1.69	2.88	3.06	.390
XVP506HP-8	3/4-16 UNF	.75	1.63	4.50	1.88	3.38	3.19	.510
XVP506HP-12	1 1/16-12 UNF	.69	2.25	7.00	2.41	3.81	4.69	.790
XVP506HP-16	1 5/16-12 UNF	.94	2.50	7.00	2.56	4.50	4.94	.950



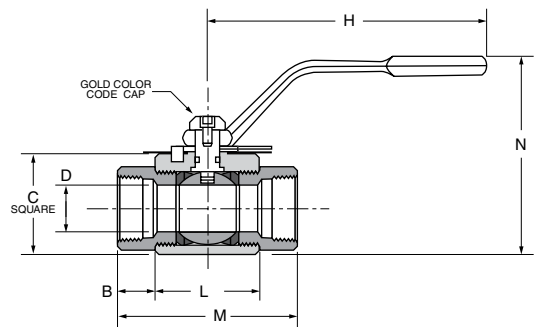
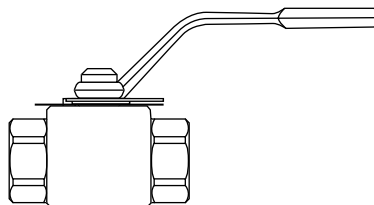
**6000 PSI Locking-Female-Female Straight Thread Ends XVP506HP-X (LARGE)**

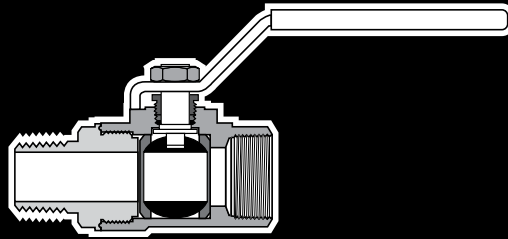
PART NO.	SAE J1926-1 THREAD	B	C	H	L	M	N	FLOW DIA. D
XVP506HP-20	1 5/8-12 UNF	.85	3.25	10.00	3.15	4.84	6.31	1.26
XVP506HP-24	1 7/8-12 UNF	.99	3.75	10.00	3.35	5.33	6.76	1.50
XVP506HP-32	2 1/2-12 UNF	1.30	4.50	10.00	3.94	6.54	7.42	1.89



**6000 PSI Female / Female ISO 6149 Ports XV507HP-X**

PART NO.	ISO 6149 PORT	B	C	H	L	M	N	FLOW DIA. D
XV507HP-M16	M16X1.5	.60	1.50	4.50	1.65	2.87	3.11	.39
XV507HP-M18	M18X1.5	.75	1.63	4.50	1.85	3.35	3.23	.51
XV507HP-M27	M27X2	.70	2.25	7.00	2.40	3.80	4.70	.79
XV507HP-M33	M33X2	.96	2.50	7.00	2.57	4.49	4.95	.95





## Stainless Steel Ball Valves Series 501SS

### Advantages

Parker's Cast Body is manufactured from CF-8M Stainless Steel, the cast equivalent of 316 Stainless Steel. They are ideal for corrosive environments such as chemical plants and refineries. The full flow design assures maximum operating efficiency. The reinforced PTFE seats and seals, coupled with the 316 Stainless Ball and blow-out proof stem, result in the utmost reliability. This ball valve is available in 1/4", 3/8", 1/2", 3/4" and 1" female pipe sizes.

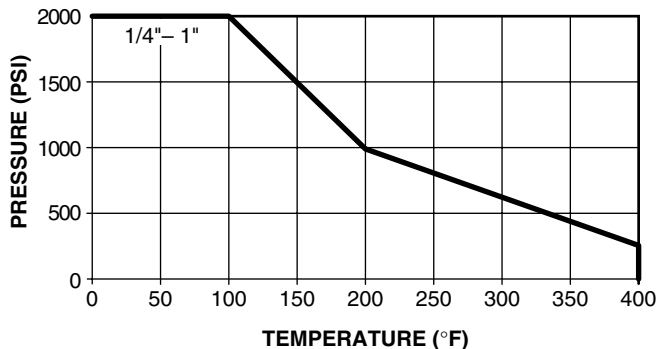
### Applications/Approvals

Parker's industrial ball valve product line is intended for general purpose use. Please be aware that ball valves are intended for use in the fully open or closed positions. Depending on application conditions, throttling of the valve may result in premature seal failure and/or inability to turn the valve handle.

Applications include chemical plants, refineries, steel mills, industrial fuel lines and agricultural equipment. Meets material requirements of NACE MR-01-75.

### Working Pressure/Temperature

Saturated steam service rating up to 150 PSI and 400° F.



Style	Type	Material	Size	Options
V	501	SS	-4	-00
Style	V-Valve			
Type	501-Male/Female NPT Ports			
Material	SS-Stainless Steel			
Size	4-1/4" 6-3/8" 8-1/2" 12-3/4" 16-1"			

### Flow data

VALVE SIZE	CV
1/4	4.0
3/8	6.0
1/2	14.0
3/4	35.0
1	54.0

### Operating Instructions

Quarter turn is "ON" or "OFF".

(Provides positive stop action for full shutoff.)

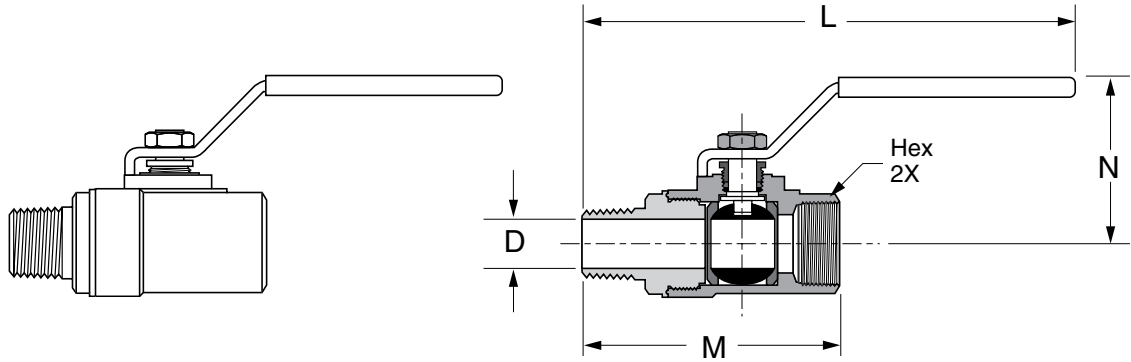
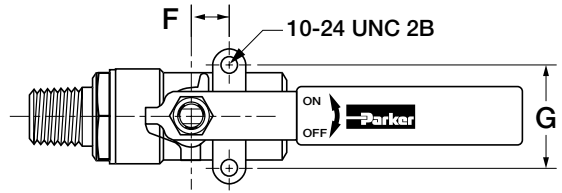
**NOTE:** PERIODICALLY CHECK THE ADJUSTABLE PACKING NUT AND TIGHTEN AS REQUIRED.

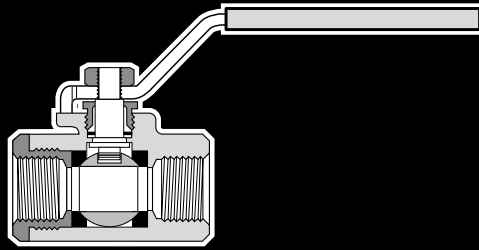
K



**Male-Female Pipe Ends XV501SS**

PART NO.	PIPE THREAD [NPT]	HEX	F	G	L	M	N	D FLOW Ø
XV501SS-4	1/4	15/16	.50	1.12	5.60	2.65	1.97	.280
XV501SS-6	3/8	15/16	.50	1.12	5.60	2.65	1.97	.375
XV501SS-8	1/2	1-1/16	.50	1.12	5.85	3.05	2.00	.500
XV501SS-12	3/4	1-3/8	.88	1.37	7.27	3.85	2.55	.720
XV501SS-16	1	1-5/8	.88	1.37	7.48	4.25	2.68	.940





## Stainless Steel Ball Valves Series 502SS

### Advantages

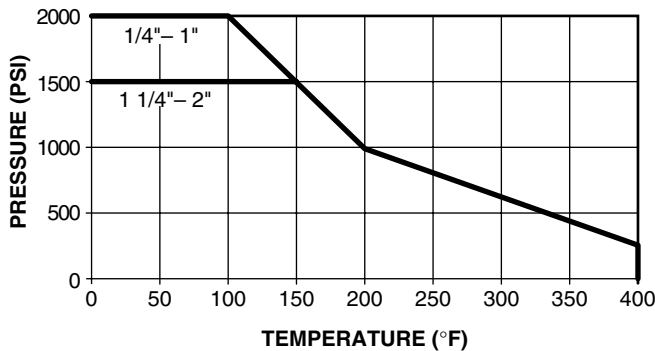
Parker's Cast Body is manufactured from CF-8M Stainless Steel, the cast equivalent of 316 Stainless Steel. They are ideal for corrosive environments such as chemical plants and refineries. The full flow design assures maximum operating efficiency. The reinforced PTFE seats and seals, coupled with the 316 Stainless Ball and blow-out proof stem, result in the utmost reliability. These ball valves are available in 1/4", 3/8", 1/2" (502SS), and 3/4", 1", 1-1/4", 1-1/2" and 2" (500SS) female pipe sizes.

### Applications/Approvals

Parker's industrial ball valve product line is intended for general purpose use. Please be aware that ball valves are intended for use in the fully open or closed positions. Depending on application conditions, throttling of the valve may result in premature seal failure and/or inability to turn the valve handle.

Applications include chemical plants, refineries, steel mills, industrial fuel lines and agricultural equipment. Meets material requirements of NACE MR-01-75.

### Working Pressure/Temperature



**K**

Saturated steam service rating up to 150 PSI and 400° F.

### Operating Instructions

Quarter turn is "ON" or "OFF".  
(Provides positive stop action for full shutoff.)

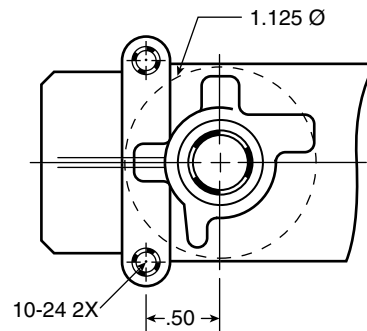
**NOTE:** PERIODICALLY CHECK THE ADJUSTABLE PACKING NUT AND TIGHTEN AS REQUIRED.

Style	Type	Material	Size	Options
V	502	SS	-4	-00
Style	V-Valve VP-Valve, Padlocking Handle			
Type	502-Panel Mount Female/Female PTF Ports			
Material	SS-Stainless Steel			
Size	4-1/4" 6-3/8" 8-1/2" 12-3/4"	16-1" 20-1 1/4" 24-1 1/2" 32-2"		
Options	20-Short Handle 21-Oval Handle 35-Welded Retainer Nut			

### Flow data 502SS

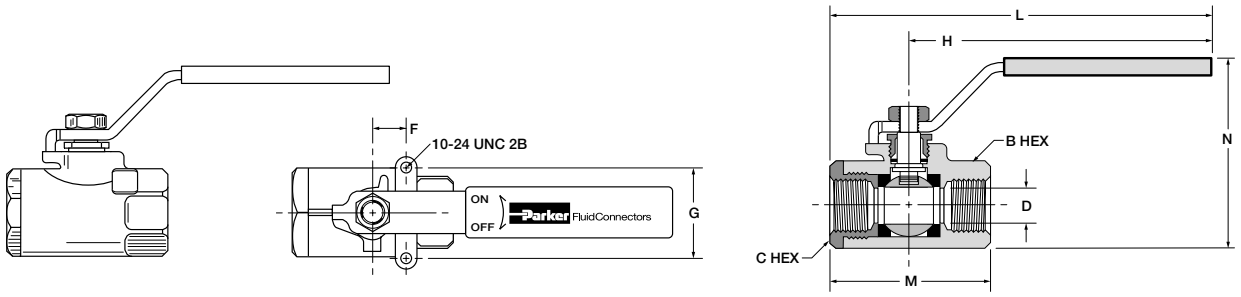
VALVE SIZE	CV
1/4	4.0
3/8	6.0
1/2	14.0
3/4	35.0
1	54.0
1 1/4	74.0
1 1/2	120.0
2	226.0

### 502SS Mounting detail



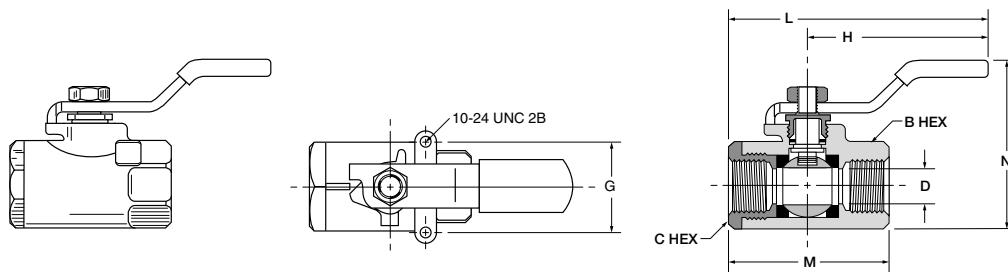
**Female Pipe Ends, Panel Mount XV502SS**

PART NO.	PIPE THREAD (NPT)	B/C HEX	F	G	H	I THREAD	L	M	N	FLOW DIA. D	PANEL HOLE DIA.
XV502SS-4	1/4	15/16	.500	1.125	4.00	10-24 UNC	5.03	2.07	2.52	.380	1.125
XV502SS-6	3/8	15/16	.500	1.125	4.00	10-24 UNC	5.03	2.07	2.52	.380	1.125
XV502SS-8	1/2	1-1/16	.500	1.125	4.00	10-24 UNC	5.13	2.27	2.65	.500	1.125
XV502SS-12	3/4	1-3/8	.875	1.375	5.00	10-24 UNC	6.67	3.35	3.46	.790	1.500
XV502SS-16	1	1-5/8	.875	1.375	5.00	10-24 UNC	6.77	3.54	3.74	1.000	1.500
XV502SS-20	1-1/4	2	1.000	1.500	7.00	1/4-20 UNC	9.00	4.00	4.55	1.250	2.000
XV502SS-24	1-1/2	2-3/8	1.000	1.500	7.00	1/4-20 UNC	7.19	4.38	5.42	1.500	2.000
XV502SS-32	2	3	1.000	1.500	7.00	1/4-20 UNC	9.75	5.50	5.68	2.000	2.000



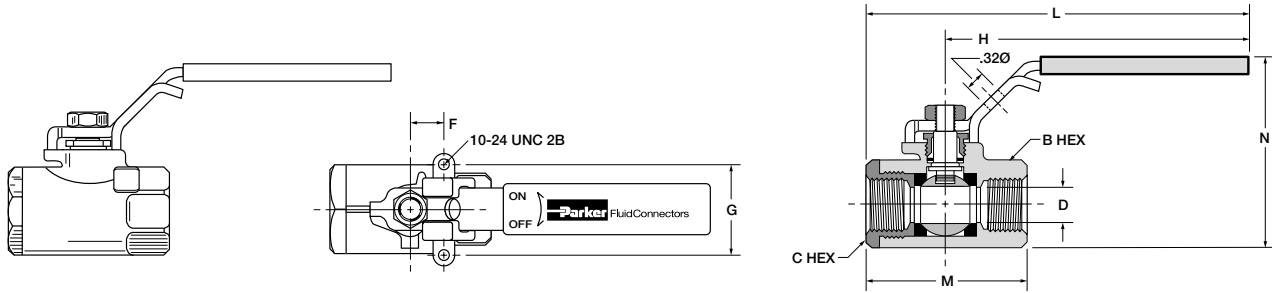
**Short Handle, Female Pipe Ends, Panel Mount XV502SS-X-20**

PART NO.	PIPE THREAD [NPT]	B/C HEX	G	H	L	M	N	FLOW DIA. D
XV502SS-4-20	1/4	15/16	1.12	2.28	3.32	2.07	2.53	.375
XV502SS-6-20	3/8	15/16	1.12	2.28	3.32	2.07	2.53	.375
XV502SS-8-20	1/2	1-1/16	1.12	2.22	3.37	2.25	2.63	.500



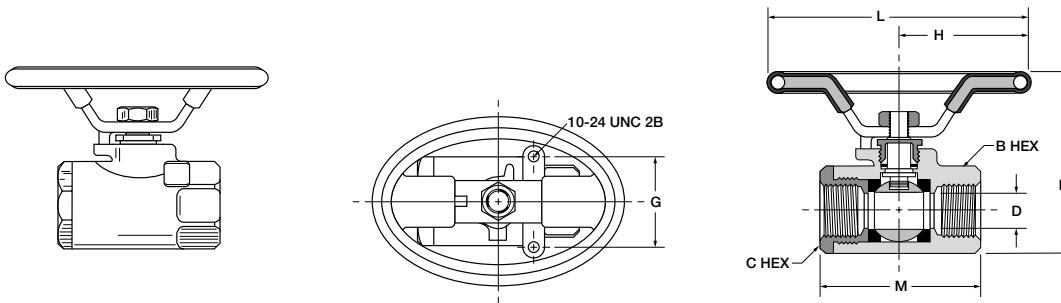
**Locking Handle, Female Pipe Ends, Panel Mount XVP502SS**

PART NO.	PIPE THREAD (NPT)	B/C HEX	F	G	H	I THREAD	L	M	N	FLOW DIA. D	PANEL HOLE DIA.
XVP502SS-4	1/4	15/16	.500	1.125	4.00	10-24 UNC	5.03	2.07	2.52	.380	1.125
XVP502SS-6	3/8	15/16	.500	1.125	4.00	10-24 UNC	5.03	2.07	2.52	.380	1.125
XVP502SS-8	1/2	1-1/16	.500	1.125	4.00	10-24 UNC	5.13	2.27	2.65	.500	1.125
XVP502SS-12	3/4	1-3/8	.875	1.375	5.00	10-24 UNC	6.67	3.35	3.46	.790	1.500
XVP502SS-16	1	1-5/8	.875	1.375	5.00	10-24 UNC	6.77	3.54	3.74	1.000	1.500
XVP502SS-20	1-1/4	2	1.000	1.500	7.00	1/4-20 UNC	9.00	4.00	4.55	1.250	2.000
XVP502SS-24	1-1/2	2-3/8	1.000	1.500	7.00	1/4-20 UNC	7.19	4.38	5.42	1.500	2.000
XVP502SS-32	2	3	1.000	1.500	7.00	1/4-20 UNC	9.75	5.50	5.68	2.000	2.000

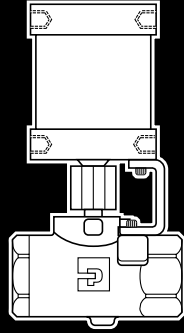


**Oval Handle, Female Pipe Ends, Panel Mount XV502SS-X-21**

PART NO.	PIPE THREAD (NPT)	B/C HEX	G	H	L	I THREAD	M	N	FLOW DIA. D	PANEL HOLE DIA.
XV502SS-4-21	1/4	15/16	1.125	1.74	3.48	10-24 UNC	2.07	2.43	.380	1.125
XV502SS-6-21	3/8	15/16	1.125	1.74	3.48	10-24 UNC	2.07	2.43	.380	1.125
XV502SS-8-21	1/2	1-1/16	1.125	1.74	3.48	10-24 UNC	2.27	2.54	.500	1.125
XV502SS-12-21	3/4	1-3/8	1.375	2.68	5.36	10-24 UNC	3.35	3.45	.790	1.500
XV502SS-16-21	1	1-5/8	1.375	2.68	5.36	10-24 UNC	3.54	3.74	1.000	1.500
XV502SS-20-21	1-1/4	2	1.500	3.27	6.53	1/4-20 UNC	4.00	4.54	1.250	2.000
XV502SS-24-21	1-1/2	2-3/8	1.500	3.27	6.53	1/4-20 UNC	4.38	4.93	1.500	2.000
XV502SS-32-21	2	3	1.500	3.27	6.53	1/4-20 UNC	5.50	5.67	2.000	2.000



**K**



## Rotary Actuator Ball Valves Series ACT

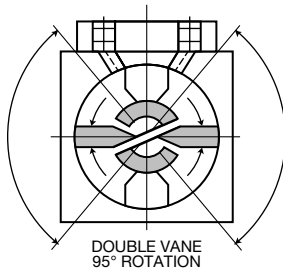
### Parker... Leading the Industry

Parker combines many years of vane actuator experience with innovative product design to lead the industry in the development of reliable and efficient rotary actuators. When you specify Parker rotary vane actuators, you can rely on reduced maintenance costs and increased productivity.

### How Do Vane Actuators Work?

Parker vane actuators provide the maximum amount of output torque from the smallest possible envelope size. They convert fluid power pressure into rotary motion for a wide variety of industrial applications. Double vane units produce twice the torque output of single vane actuators from identical envelope dimensions and have a maximum rotation of 95°.

A short cylindrical chamber encloses a vane attached to a central shaft. Fluid pressure differential is applied through a stationary barrier (stator) within the cylinder to one side of the vane. The opposite side of the vane is connected to exhaust through the stator. This pressure differential produces rotation of the vane and central shaft. Due to vane actuator design there will always be some internal bypass in these units.



### Why Use Parker Vane Style Rotary Actuator Ball Valves?

- Provides uniform torque in both directions.
- Zero backlash allows precise positioning.
- Simplicity of design.
- Performs under the most adverse ambient conditions.
- No external linkage needed for rotary motion.
- Guaranteed zero external leakage.
- More efficient operation and longer time between servicing.

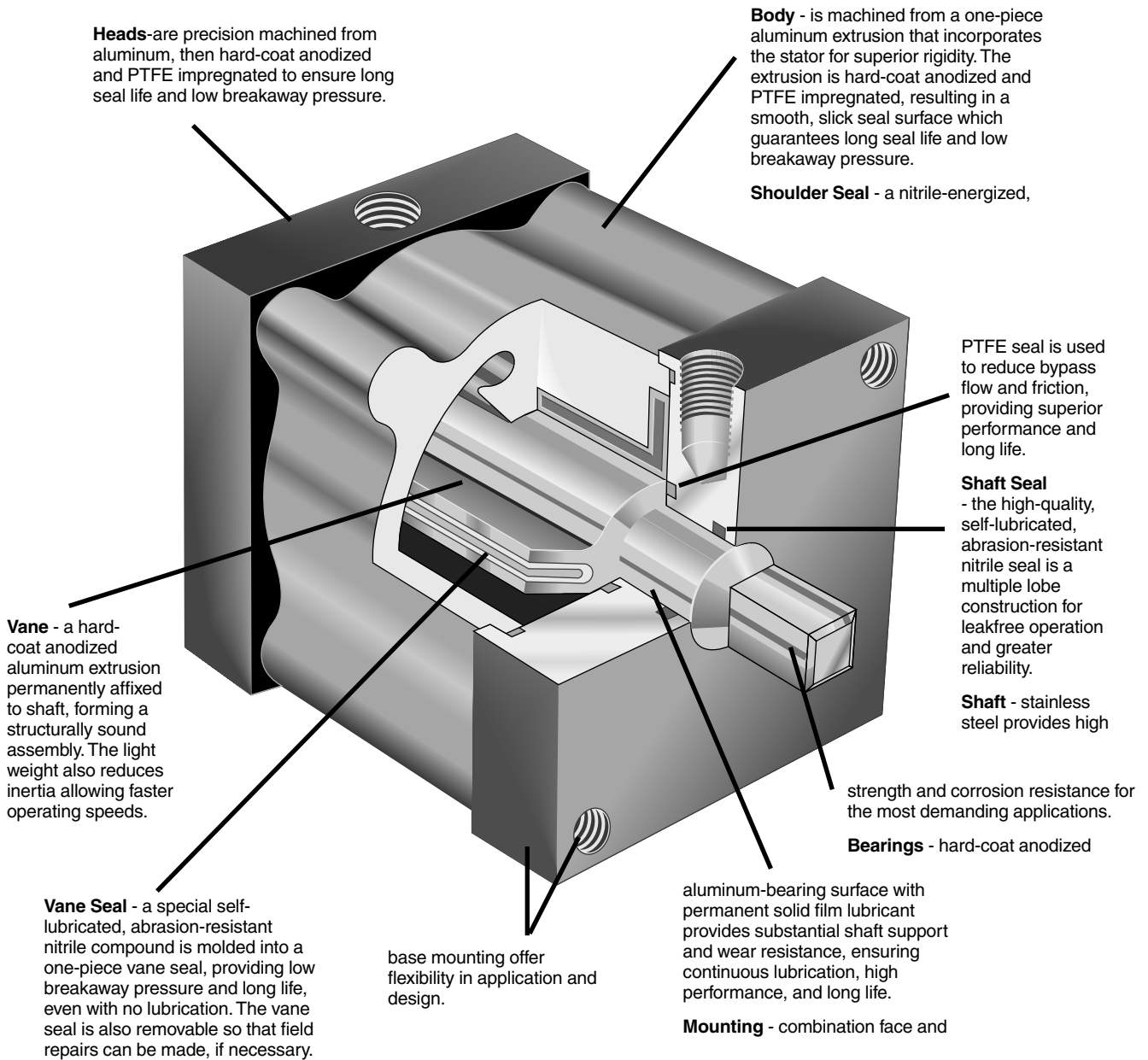
### Where Can Parker Rotary Actuator Ball Valves Be Used?

- Remote Valve Actuation
- Material Handling
- Machine Tool
- Rubber and Plastics
- Machinery
- Mobile Equipment
- Robotics
- Packaging
- Multi-Process Industry
- Military/Commercial Marine
- Food Processing
- Electronics Manufacturing
- Transfer Lines

### Act Series Features

- ON - OFF indicator
- Compact Profile
- Actuator ambient temperature with nitrile seals is -40° to 180°F
- 150 PSI maximum air pressure to actuator
- See specific part number for the minimum breakaway pressure
- Stainless steel ball and stem as standard

**K**



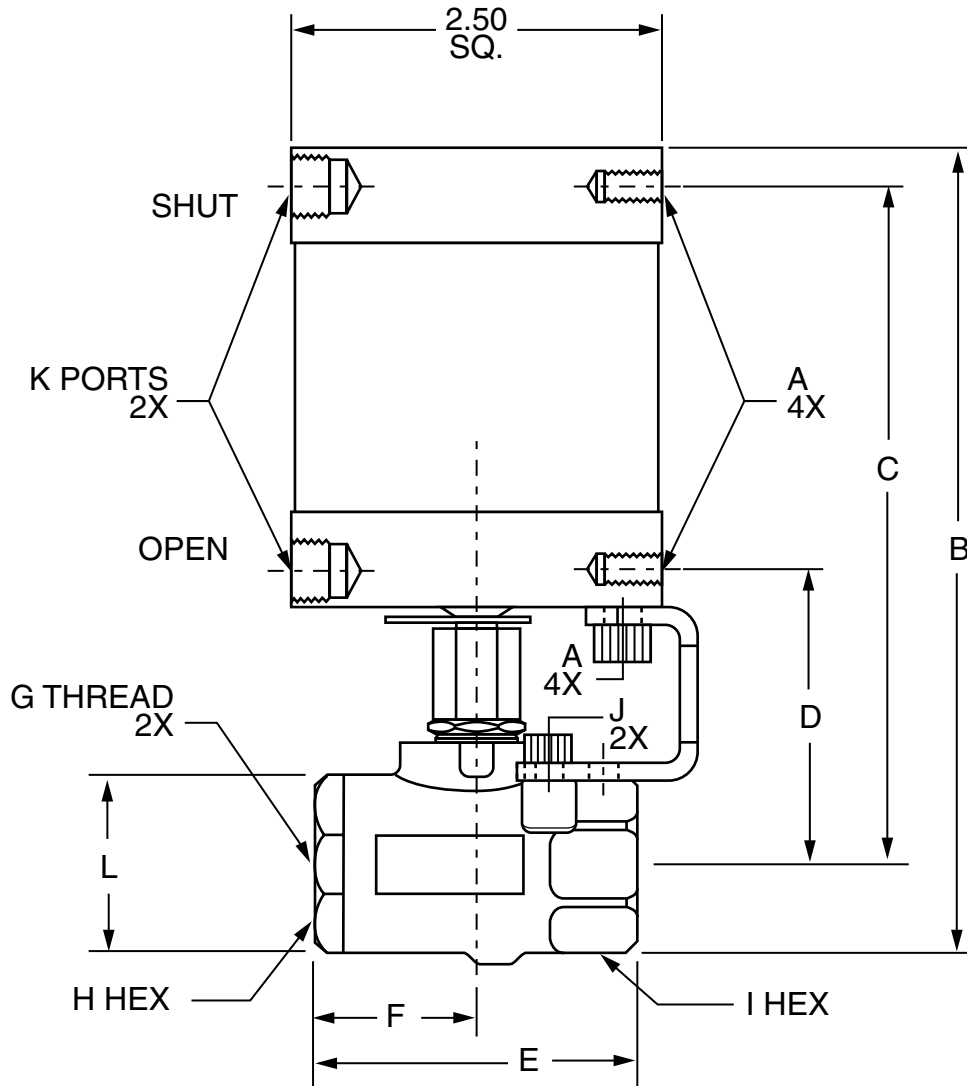
**K**

**Rotary Actuator, Female Pipe Ends XV502P-X-ACT**

PART . NO	SIZE	A MTG. HOLES	B	C	D	E	F	G	H HEX	I HEX	J UNC	K NPTF	L	FLOW DIA.	FLOW CV	MIN. ACT PRESSURE (PSI)
XV502P-4-ACT	1/4	1/4-20 UNC	5.25	4.47	1.91	2.03	1.00	1/4-18PTF	15/16	15/16	10-24	1/8-27	1.06	.375	4.0	50
XV502P-6-ACT	3/8	1/4-20 UNC	5.25	4.47	1.91	2.03	1.00	3/8-18PTF	15/16	15/16	10-24	1/8-27	1.06	.375	5.8	50
XV502P-8-ACT	1/2	1/4-20 UNC	5.38	4.54	1.98	2.20	1.09	1/2-14PTF*	1-1/16	1-1/16	10-24	1/8-27	1.19	.500	12.0	50
XV502P-12-ACT	3/4	1/4-20 UNC	5.57	4.63	2.07	2.42	1.29	3/4-14PTF**	1-5/16	1-1/4	10-24	1/8-27	1.38	.685	25.0	75
XV502P-16-ACT	1	1/4-20 UNC	5.85	4.76	2.20	2.75	1.38	1-11.5PTF**	1-9/16	1-1/2	10-24	1/8-27	1.67	.875	35.0	75

**Stainless Steel Rotary Actuator, Female Pipe Ends XV502SS-X-ACT**

PART . NO	SIZE	A MTG. HOLES	B	C	D	E	F	G	H/I HEX	J	K NPTF	L	FLOW DIA.	FLOW CV
XV502SS-4-ACT	1/4	1/4-20 UNC	5.41	4.61	2.05	2.07	1.04	1/4-18 NPT	15/16	10-24	1/8-27	1.10	.375	4.0
XV502SS-6-ACT	3/8	1/4-20 UNC	5.41	4.61	2.05	2.07	1.04	3/8-18 NPT	15/16	10-24	1/8-27	1.10	.375	6.0
XV502SS-8-ACT	1/2	1/4-20 UNC	5.53	4.64	2.08	2.27	1.17	1/2-14 NPT	1 1/16	10-24	1/8-27	1.28	.500	14.0



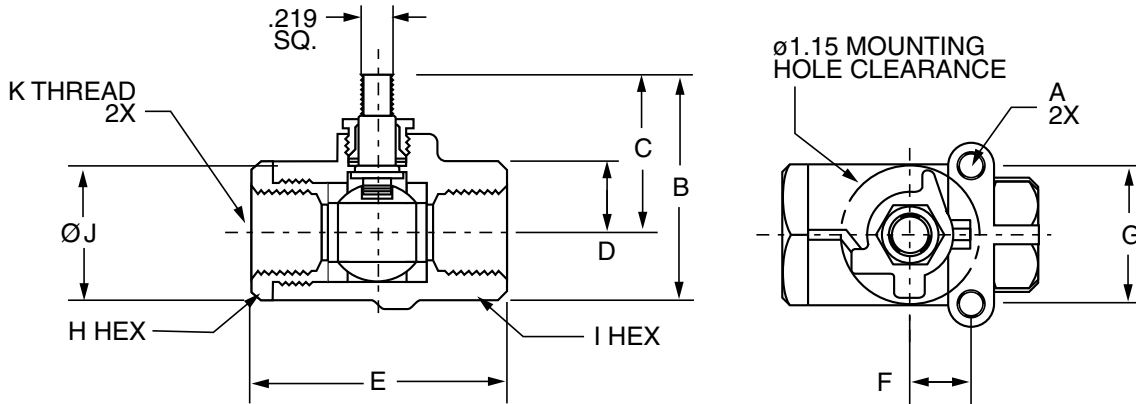
\*PTF special short. \*\*PTF special extra short

**Actuator Sub-Assembly XV502P-X-SUB**

PART NO	SIZE	A UNC	B	C	D	E	F	G	H HEX	I HEX	J	K
XV502P-4-SUB	1/4	10-24	1.68	1.15	.495	2.03	.50	1.12	15/16	15/16	1.06	1/4-18 PTF
XV502P-6-SUB	3/8	10-24	1.68	1.15	.495	2.03	.50	1.12	15/16	15/16	1.06	3/8-18 PTF
XV502P-8-SUB	1/2	10-24	1.78	1.19	.565	2.20	.50	1.12	1-1/16	1-1/16	1.19	1/2-14 PTF*
XV502P-12-SUB	3/4	10-24	2.09	1.40	.655	2.42	.87	1.37	1-5/16	1-1/4	1.38	3/4-14 PTF**
XV502P-16-SUB	1	10-24	2.38	1.54	.785	2.75	.87	1.37	1-9/16	1-1/2	1.67	1-11.5 PTF**

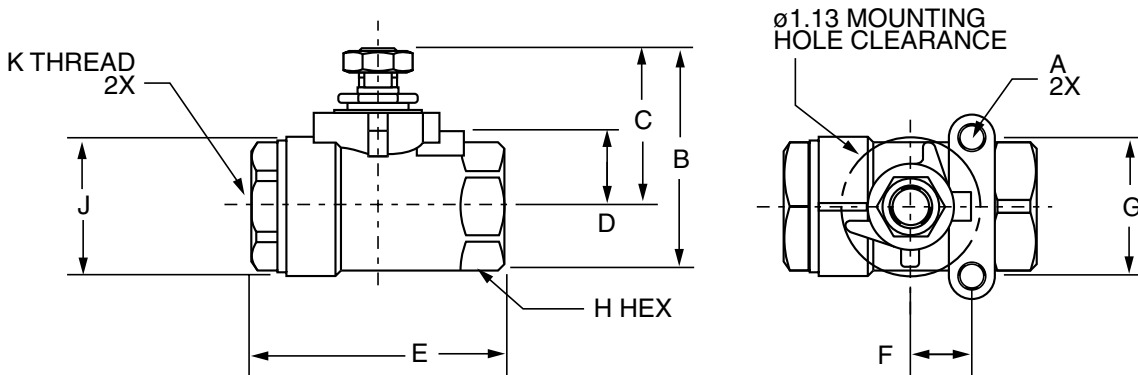
\* PTF Special Short

\*\* PTF Special Extra Short



**Actuator Sub-Assembly XV502SS-X-SUB**

PART NO	SIZE	A UNC	B	C	D	E	F	G	H HEX	J	K
XV502SS-4-SUB	1/4	10-24	1.88	1.32	.63	2.07	.50	1.12	15/16	1.10	1/4-18 NPT
XV502SS-6-SUB	3/8	10-24	1.88	1.32	.63	2.07	.50	1.12	15/16	1.10	3/8-18 NPT
XV502SS-8-SUB	1/2	10-24	2.00	1.35	.66	2.27	.50	1.12	1-1/16	1.28	1/2-14 NPT

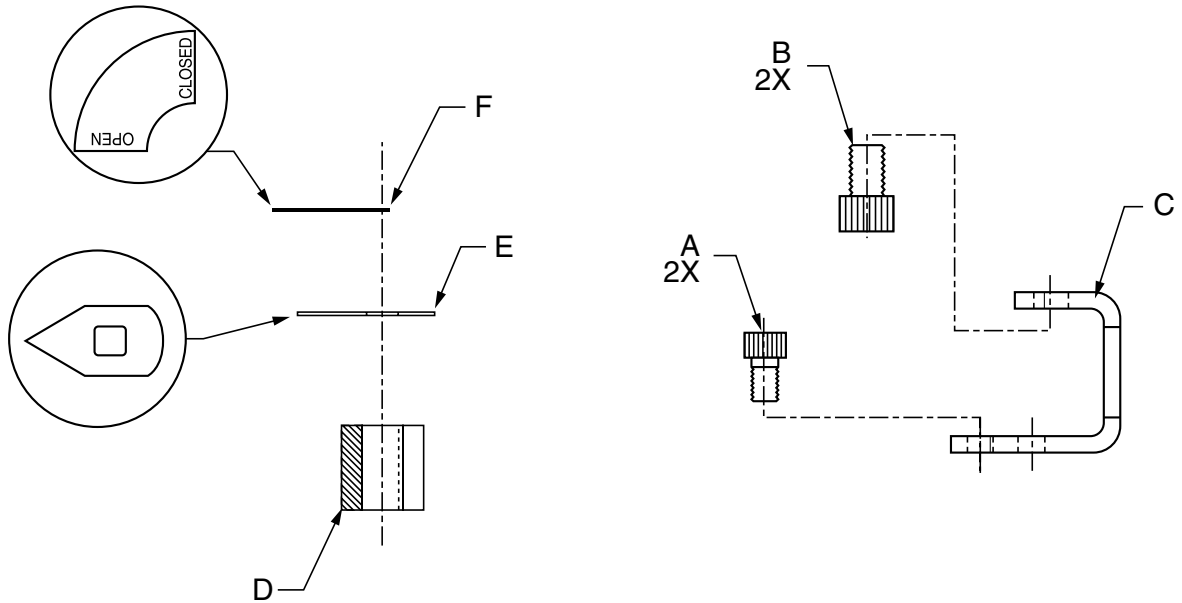


**K**



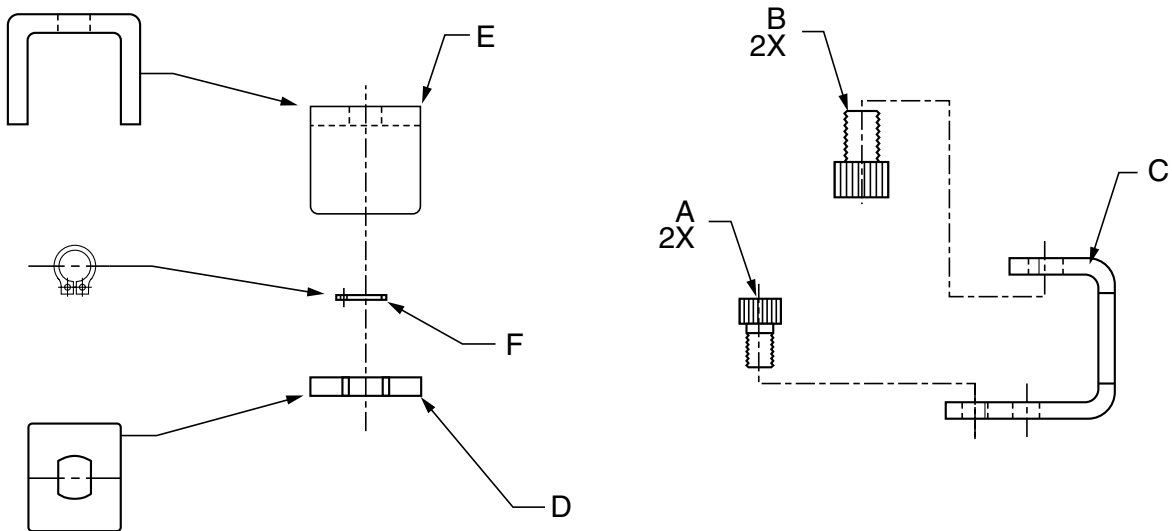
**ACT-P-X-KIT**

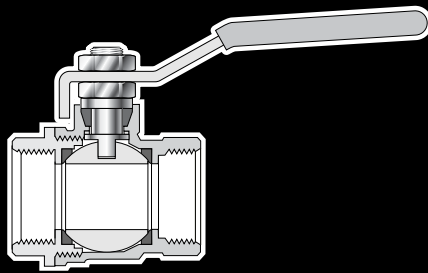
PART NO.	FOR USE WITH	A	B	C	D	E	F
ACT-P-1-KIT	XV502P-4, 6, 8-ACT	10-24 UNC	1/4-20 UNC	BRACKET	.60 LONG COUPLING	POSITION INDICATOR	POSITION LABEL
ACT-P-2-KIT	XV502P-12, 16-ACT	10-24 UNC	1/4-20 UNC	BRACKET	.55 LONG COUPLING	POSITION INDICATOR	POSITION LABEL



**ACT-SS-X-KIT**

PART NO.	FOR USE WITH	A	B	C	D	E	F
ACT-SS-1-KIT	XV502SS-4, 6, 8-ACT	10-24 UNC	1/4-20 UNC	BRACKET	CLIP	HANDLE YOKE	SNAP RING



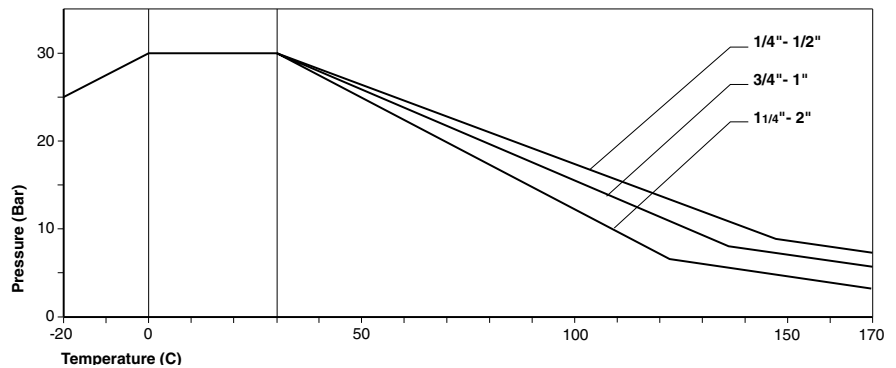


## Parker Metric Ball Valves Series BVGC

### Principle

Parker BVGC series economy ball valves are designed for use in a wide variety of fluid applications. Available with BSPP female/female\* short threads to ISO-228, they are full flow valves giving minimum pressure drop. The BVGC series has a double PTFE seal on the ball enabling the valve to be used with flow in either direction. All seals are treated with a silicone free lubricant enabling the valves to be used in water-based paint spray applications. BVGC series valves have an adjustable PTFE packing gland for easy maintenance and longer service life. For operator safety the BVGC series valves are fitted with anti-extrusion stems to prevent blow out and all valves are 100% pressure tested twice to ensure zero leakage. For other thread configurations please consult your Parker sales engineer.

### Operating pressures and temperatures

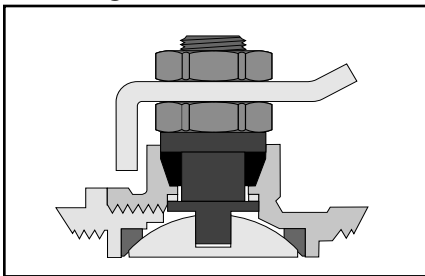


N.B. This chart gives general information. Only testing under operating conditions will finally determine which valve should be selected.

### Technical Features

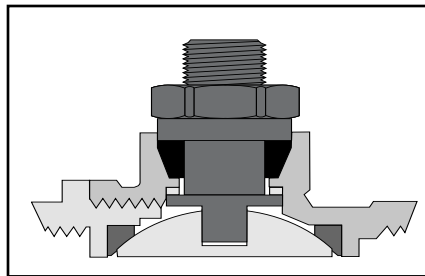
BODY	LEVER HANDLE	COMPACT HANDLE	ANTI EXTRUSION STEM	STEM PACKAGING GLAND	BALL	ANTI FRICTION RING	FORCING NUT	THREADS
Brass Nickel Plated to DIN 17660 and UNI 5705 Spec.	Carbon Steel with Yellow PVC Coating	Aluminum with Yellow Epoxy Coating	Brass Nickel Plated	PTFE	Brass Chrome Plated	PTFE	Brass Nickel Plated	1/4" to 2" BSPP to ISO 228/ DIN 259

### Advantages



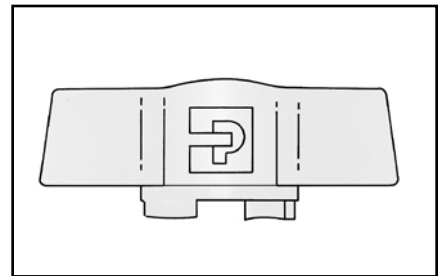
#### Adjustable packing

The PTFE packing gland and adjustable washer are designed to give longer service life and lower operating torques.



#### Anti extrusion stem

The BVGC series ball valves are fitted with an anti-extrusion stem to prevent blow out in the case of pressure peaks.



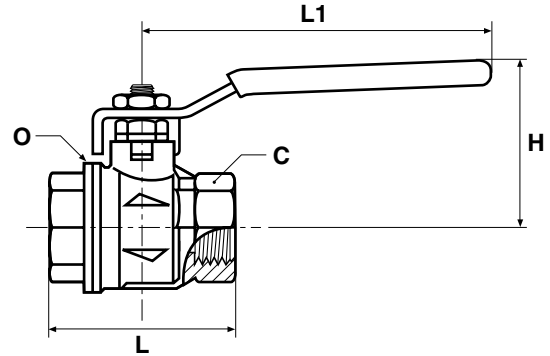
#### Compact handle

For applications where space is at a premium, the BVGC series valve is available with a compact handle in sizes up to 1".

K

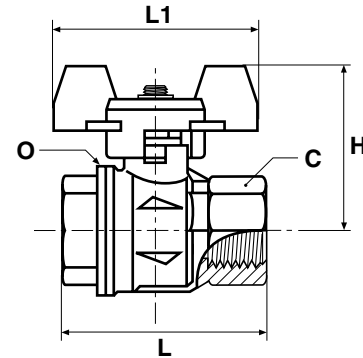
**BVGC BSPP Female/Female Valve With Lever Handle**

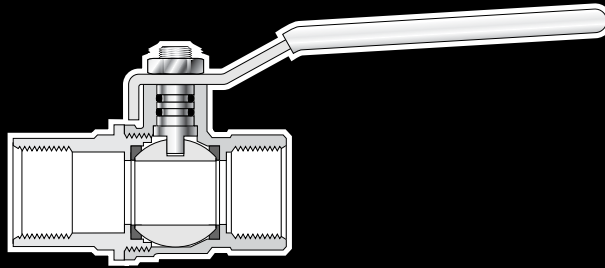
PART NO.	DN MM	THREAD BSPP	C	H	L	L1	O
BVG4-1/4C	8	1/4	20	39.5	39	82	25.0
BVG4-3/8C	10	3/8	20	39.5	39	82	25.0
BVG4-1/2C	15	1/2	25	44.0	50	100	32.5
BVG4-3/4C	20	3/4	31	50.0	54	120	39.0
BVG4-1C	25	1	38	54.0	67	120	47.5
BVG4-1.1/4C	32	1.1/4	48	76.5	77	158	59.0
BVG4-1.1/2C	40	1.1/2	54	82.5	90	158	71.5
BVG4-2C	50	2	66	89.5	106	158	86.0



**BVGT4 BSPP Female/Female Valve With Compact Handle**

PART NO.	DN MM	THREAD BSPP	C	H	L	L1	O
BVGT4-1/4C	8	1/4	20	40	39	50	25.0
BVGT4-3/8C	10	3/8	20	40	39	50	25.0
BVGT4-1/2C	15	1/2	25	44	50	50	32.5
BVGT4-3/4C	20	3/4	31	49	54	60	39.0
BVGT4-1C	25	1	38	53	67	60	47.5



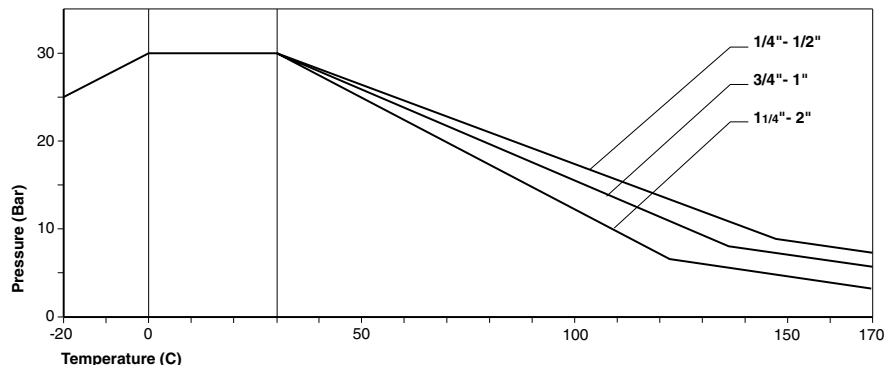


## Parker Metric Ball Valves Series BVGL

### Principle

Parker BVGL series valves are designed for use in fluid and gas applications and are DVGW approved. The valve dimensions are in accordance with DIN3357 for interchangeability and are available with BSPP female/female\* long threads to DIN 2999 / ISO228. These full flow ball valves have a chrome plated ball with a double PTFE seal system enabling the valve to be used with flow in either direction. All seals are treated with a silicone free lubricant enabling the valves to be used in water based paint spray applications. BVGL series valves are fitted with an anti-extrusion stem with two Viton seals for maximum safety and performance. After assembly all valves are 100% pressure tested twice to ensure zero leakage. For other thread configurations please consult us.

### Operating pressures and temperatures

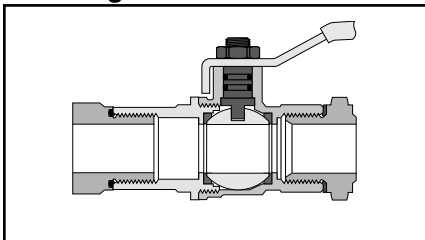


N.B. This chart gives general information. Only testing under operating conditions will finally determine which valve should be selected.

### Technical Features

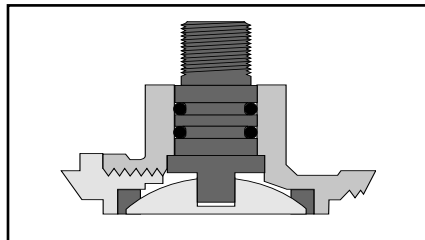
BODY	LEVER HANDLE	COMPACT HANDLE	ANTI EXTRUSION STEM	STEM SEAL	BALL	ANTI FRICTION RING	FORCING NUT	VALVE DIMENSIONS
Brass Nickel Plated to DIN 17660 and UNI 5705 Spec.	Carbon Steel with Yellow PVC Coating	Aluminum with Yellow Epoxy Coating	Brass Nickel Plated	Two Viton O-Rings	Brass Chrome Plated	PTFE	Brass Nickel Plated	In Accordance with DIN 3357

### Advantages



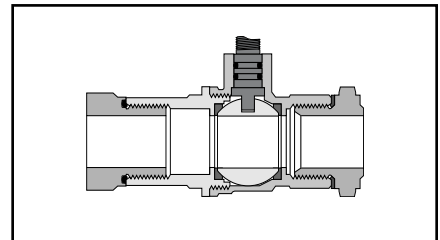
#### Long female threads

BVGL series valves are manufactured with long female threads in accordance to DIN 2999/ISO 228. This enables the valves to be used with Prestolok, Metru-Lok and brass adaptors but also Parker's range of steel hydraulic fittings, e.g. Triple-Lok, O-Lok, EO, and BSPP coned adaptors.



#### Anti extrusion stem

The BVGL series ball valves are fitted with an anti extrusion stem to prevent blow out in the case of pressure peaks. The stem is sealed with two Viton O-rings for maximum safety and performance.



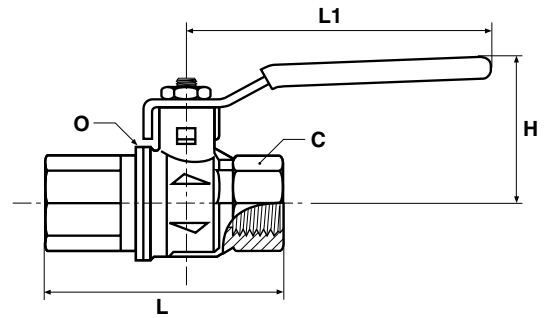
#### Full flow

All BVGL series valves are full-flow. This limits the turbulence created by the passage of fluid across the valve, minimizing pressure drop.

K

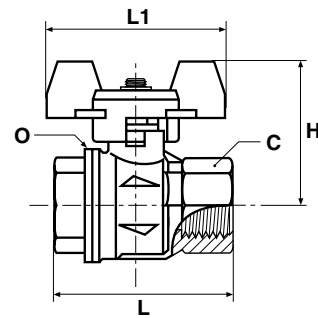
**BVGL BSPP Female/ Female Valve With Lever Handle**

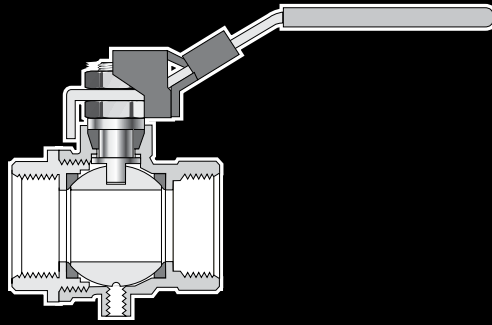
PART NO.	DN MM	THREAD BSPP	C	H	L	L1	O
BVG4-1/4L	8	1/4	20	38	50	82	25.0
BVG4-3/8L	10	3/8	20	38	60	82	25.0
BVG4-1/2L	15	1/2	25	43	75	100	32.5
BVG4-3/4L	20	3/4	32	50	80	120	39.0
BVG4-1L	25	1	41	54	90	120	47.5
BVG4-1.1/4L	32	1 1/4	50	73	110	158	59.0
BVG4-1.1/2L	40	1 1/2	55	79	120	158	71.5
BVG4-2L	50	2	70	86	140	158	86.0



**BVGT4 BSPP Female/Female Valve With Compact Handle**

PART NO.	DN MM	THREAD BSPP	C	H	L	L1	O
BVGT4-1/4L	8	1/4	20	39	50	50	25.0
BVGT4-3/8L	10	3/8	20	39	60	50	25.0
BVGT4-1/2L	15	1/2	25	43	75	50	32.5
BVGT4-3/4L	20	3/4	32	47	80	60	39.0
BVGT4-1L	25	1	41	51	90	60	47.5





## Parker Metric Ball Valves Series BVGPLOCK

### Principle

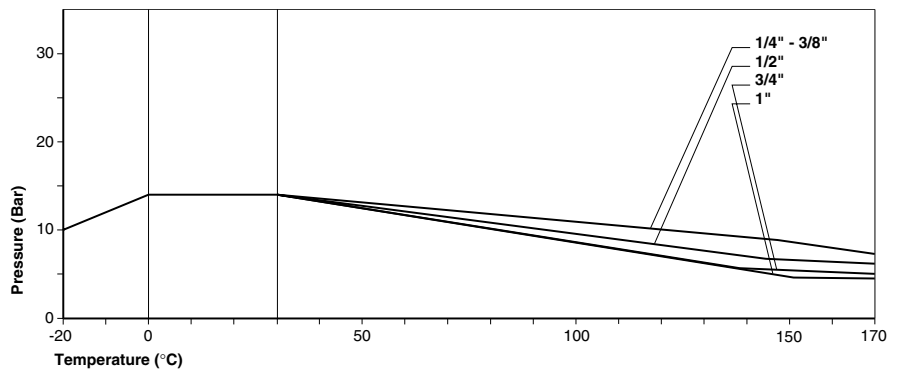
Parker BVGPLOCK series of ball valves has been developed to meet the requirements of European Directive DI 89/392/CEE relating to the isolation of power supply and to meet the health and safety requirements for machines and materials in paragraphs L233-5 of the code du Travail.

The BVGPLOCK series of ball valves incorporate two specific safety features:

- An M5 threaded venting port enabling downstream pressure to be vented when the valve is closed.
- All valves are fitted with a locking mechanism enabling the valve to be padlocked in the closed position, thus preventing tampering or accidental opening of the valve during operation.

All seals are treated with a silicone free lubricant enabling them to be used in water based paint spray applications.

### Operating pressures and temperatures



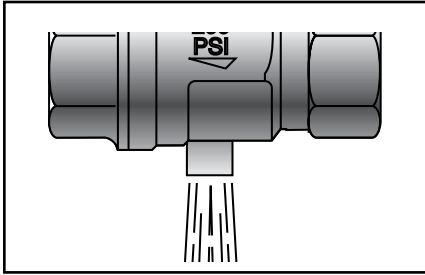
N.B. This chart gives general information. Only testing under operating conditions will finally determine which valve should be selected.

### Technical Features

BODY	LEVER HANDLE	ANTI EXTRUSION STEM	STEM PACKING GLAND	BALL	ANTI FRICTION RING	FORCING NUT	VALVE DIMENSIONS	PRESSURE
Brass nickel plated to DIN17660 and UNI5705 spec.	Carbon steel with yellow PVC coating	Brass nickel plated	PTFE	Brass chrome plated	PTFE	Brass nickel plated	In accordance with DIN3357	See chart below

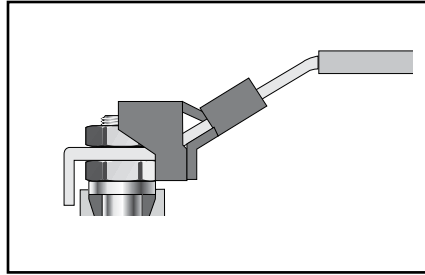
K

**Advantages**



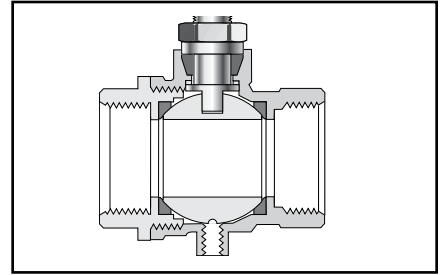
**Threaded Exhaust**

BVGPLOCK series ball valves are manufactured with an M5 threaded exhaust port, this safety feature enables the downstream air pressure to be vented when the valve is closed.



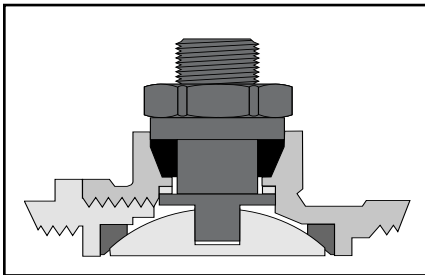
**Lockable Handle**

The BVGPLOCK series ball valves are fitted with a handle that can be locked in the closed position with a padlock. This safety feature ensures the valve cannot be accidentally opened, and only authorized personnel can operate the valve.



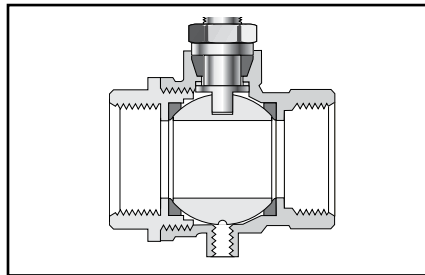
**DIN 2999 / ISO 228 Female Threads**

BVGPLOCK series valves are manufactured with long female threads in accordance to DIN2999/ISO228. This enables the valves to be used with Prestolok, Metrulok and brass adaptors but also Parker's range of steel hydraulic fittings and EO-fittings form "A" or "C" to DIN 3852.



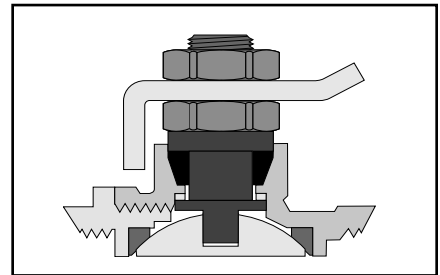
**Anti Extrusion Stem**

The BVGPLOCK series ball valves are fitted with an anti-extrusion stem to prevent blow out in the case of pressure peaks.



**Full Flow**

All BVGPLOCK series valves are full-flow. This limits the turbulence created by the passage of fluid across the valve, minimizing pressure drop.

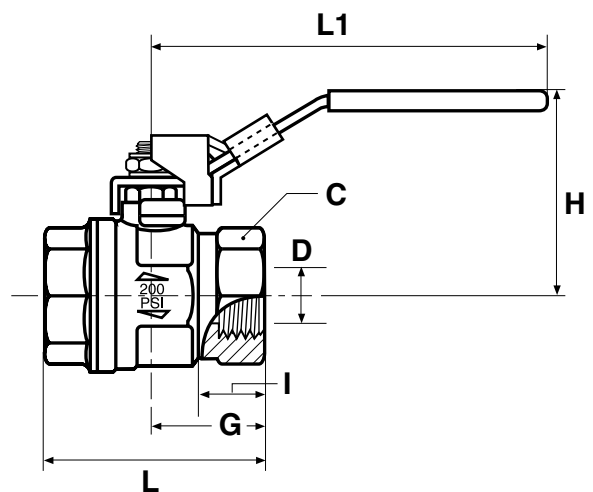


**Adjustable Packing**

The PTFE packing gland and adjustable washer are designed to give longer service life and lower operating torques.

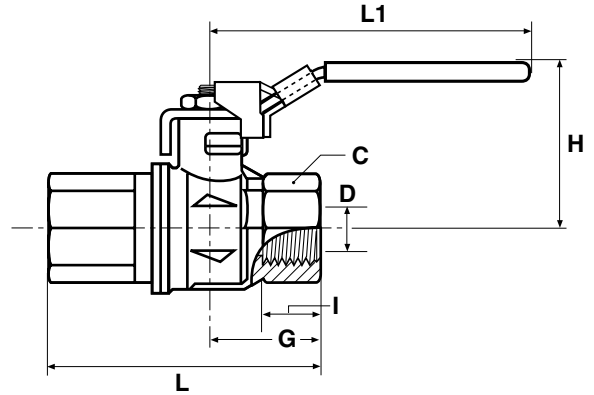
**BVG4PLOCK BSPP Female/Female, Vented, Locking Handle**

PART NO.	D FLOW Ø	THREAD BSPP	C	G	H	I	L	L1
BVG4P-1/4 LOCK	8.0	1/4	20	22.5	47.5	12.0	45	96
BVG4P-3/8 LOCK	9.5	3/8	20	22.5	47.5	12.0	45	96
BVG4P-1/2 LOCK	15.0	1/2	25	29.5	52.0	15.5	59	96
BVG4P-3/4 LOCK	19.0	3/4	31	32.0	59.5	17.0	64	117
BVG4P-1 LOCK	24.0	1	40	40.5	63.5	21.0	81	117
BVG4P-1.1/4LOCK	32.0	1-1/4	49	46.5	76.5	23.0	93	158
BVG4P-1.1/2LOCK	40.0	1-1/2	54	51.0	82.5	23.0	102	158
BVG4P-2LOCK	50.0	2	69	60.5	89.5	26.5	121	158

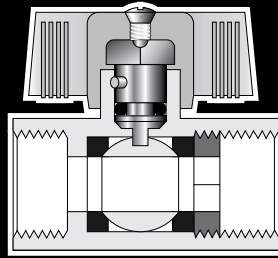


**BVG4-LOCK BSPP Female/Female, Locking Handle**

PART NO.	D FLOW Ø	THREAD BSPP	C OCTAGON	H	L1	L	G
BVG4-1/4 LOCK	8.0	1/4	20	46.5	96.0	50	22.6
BVG4-3/8 LOCK	9.5	3/8	20	46.5	96.0	60	22.6
BVG4-1/2 LOCK	15.0	1/2	25	51.3	96.0	75	29.5
BVG4-3/4 LOCK	19.0	3/4	31	59.5	117.1	80	32.0
BVG4-1 LOCK	24.0	1	40	63.5	117.1	90	40.4
BVG4-1.1/4LOCK	32.0	1-1/4	49	77.0	156.5	110	46.5
BVG4-1.1/2LOCK	40.0	1-1/2	54	83.0	156.5	120	51.1
BVG4-2LOCK	50.0	2	69	89.9	156.5	140	60.5





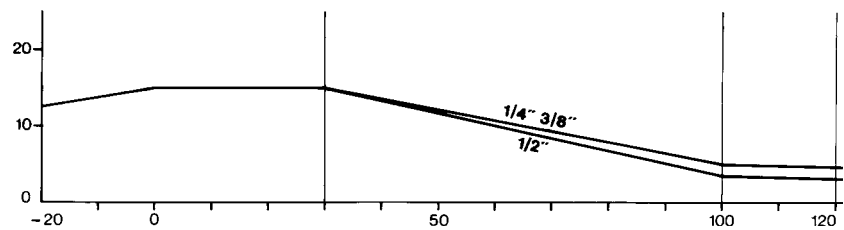


## Parker Metric Ball Valves Series MBVG

### Principle

The MBVG series ball valves with their compact design offer the solution to applications where space is an important factor. The body is of a particularly robust design. The integrity of the sealing on the ball is obtained by the use of PTFE seats. The valves are available with BSPP female threads ISO-228/1 (DIN 299) in : 1/4" & 3/8".

### Operating pressures and temperatures

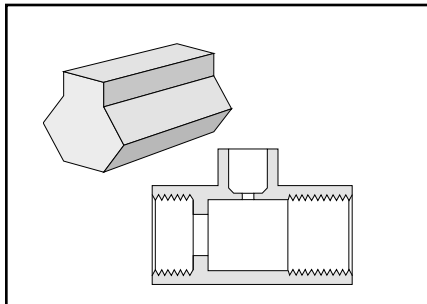


N.B. This chart gives general information. Only testing under operating conditions will finally determine which valve should be selected.

### Technical Features

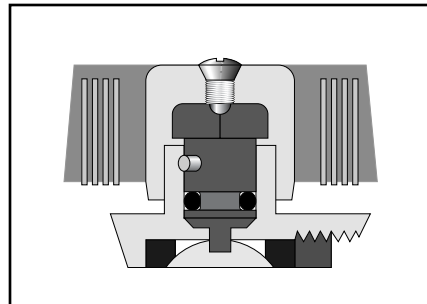
BODY	HANDLE RETENTION SCREW	HANDLE	STEM	STEM SEAL	BALL	ANTI EXTRUSION GUIDE PIN	NUT	SEAT SEALS
Brass Chromium Plated	Brass Chromium Plated	Polyamide	Brass	Viton	Brass Chromium Plated	Stainless Steel	Brass	PTFE

### Advantages



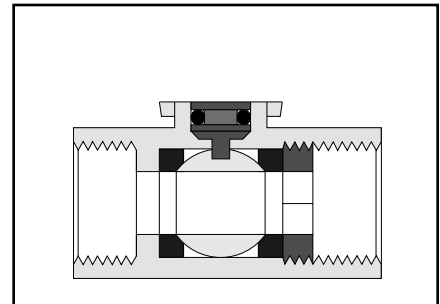
#### Design of the body

The valve is manufactured from a solid section which incorporates the stem housing in the body. This design allows excellent guidance of the stem, which increases its lifespan.



#### Stem tightness

A Viton O-Ring assembled under compression automatically compensates for minute friction wear. Thus a high standard of seal is attained.



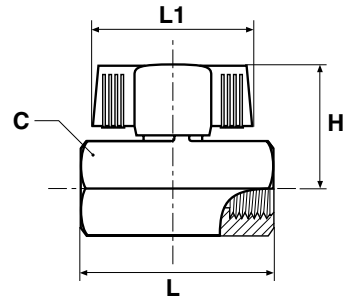
#### Tightness of the seals

The perfect tightness of the seals on the casing is obtained by the preset force of the nut, adjusted during assembly.

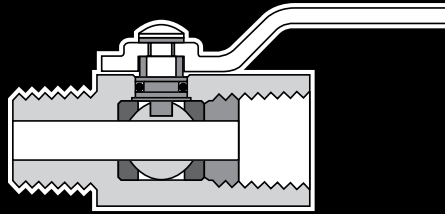
K

**MBVG BSPP Female/Female Valve**

PART NO.	DN MM	THREAD BSPP	C	H	L	L1
MBVG4-1/4	8	1/4	21	31.5	41.5	39
MBVG4-3/8	8	3/8	21	31.5	41.5	39
MBVG4-1/2	10	1/2	25	33.5	48.0	39



**K**



## Micro Ball Valve Series 708 / 709

### Advantages

The Parker Micro-Valve is designed to be used in confined and hard to reach applications. This miniature 2 way valve has a barstock body for extended service life and is offered with either male / female or female / female pipe ends. Features of the MV708 / 709 valves include chrome plate ball, PTFE seats, nitrile stem seal and a low profile chrome plated steel handle.

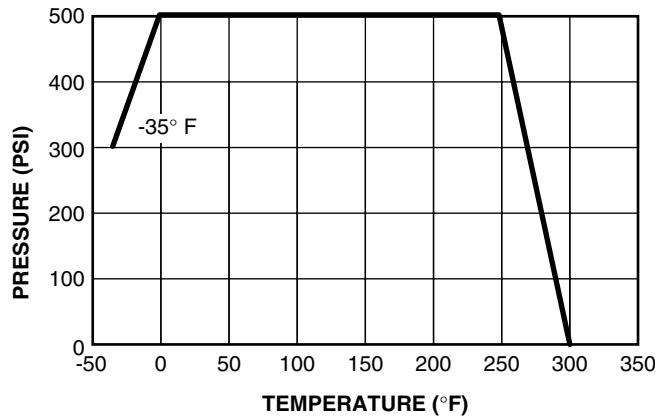
### Applications

Parker's industrial ball valve product line is intended for general purpose use. Please be aware that ball valves are intended for use in the fully open or closed positions. Depending on application conditions, throttling of the valve may result in premature seal failure and / or inability to turn the valve handle.

### Working Pressure and Temperatures

These valves are designed and built for use at pressures and temperatures within the stated ranges. Consult the factory for any use outside of these ranges.

Vacuum to 29 inches Hg



### Operating Instructions

Quarter turn is "ON" or "OFF".  
(Provides positive stop action for full shutoff.)

Style	Type	Size
MV	708 709	-4
Style	MV-Micro Valve	
Type	708 - Male / Female 709 - Female / Female	
Size	4-1/4"	

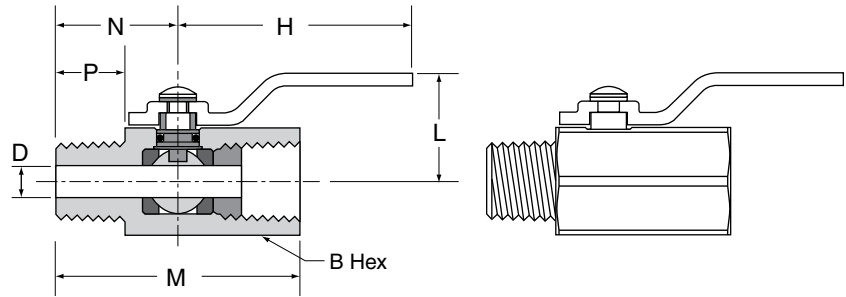
### Flow data

VALVE SIZE	MV708 CV	MV709 CV
1/4	.95	.95

**K**

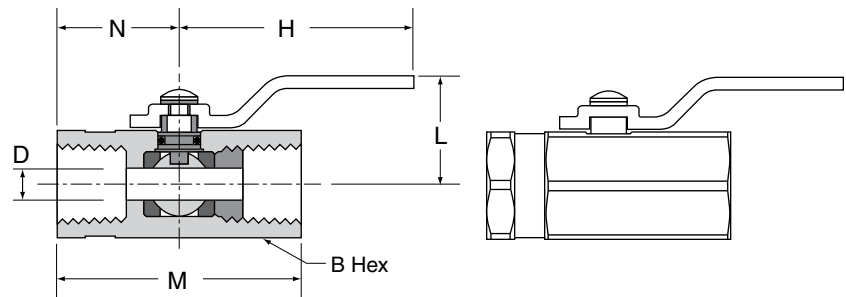
**Male-Female Pipe Ends, Mini Ball Valve MV708**

PART NO.	PIPE THREAD	B HEX	H	L	M	N	P	FLOW DIA. D
MV708-4	1/4	11/16	1.52	.70	1.57	.79	.50	.210



**Female Pipe Ends, Mini Ball Valve MV709**

PART NO.	PIPE THREAD	B HEX	H	L	M	N	FLOW DIA. D
MV709-4	1/4	11/16	1.52	.70	1.57	.76	.210



**Replacement Handles**

Valve	Plated Steel Lever w/Cover	S.S. Lever (No Cover)	S.S. Lever w/Cover	Tee (No Cover)	Oval (w/Cover)	Short Lever (No Cover)	Plated Steel Lkg. Lever w/Cover	S.S. Locking Lever w/Cover
<b>XV500P (501,502,506,510,590,591)</b>								
-4	2560-10082	2566-00105		2566-00147	2566-00215	2566-00231	2560-10080	2560-10081
-6	2560-10082	2566-00105		2566-00147	2566-00215	2566-00231	2560-10080	2560-10081
-8	2560-10082	2566-00105		2566-00147	2566-00215	2566-00231	2560-10080	2560-10081
-10	2560-10097	2566-00178		2566-00179			2566-10100	
-12	2560-10097	2566-00178		2566-00179	2566-00180	—	2560-10100	2560-10101
-16	2560-10097	2566-00178		2566-00179	2566-00180	—	2560-10100	2560-10101
-20	2566-00143	2566-00153		—	—	2566-00142	2566-00135	—
-24	2566-00143	2566-00153		—	—	2566-00142	2566-00135	—
-32	2566-00143	2566-00153		—	—	2566-00142	2566-00135	—
<b>XV501SS &amp; XV502SS</b>								
-4	—		2566-00132	—	2566-00108	2566-00146	—	2566-00138
-6	—		2566-00132	—	2566-00108	2566-00146	—	2566-00138
-8	—		2566-00132	—	2566-00108	2566-00146	—	2566-00138
-12	—		2566-00133	—	2566-00109	—	—	2566-00184
-16	—		2566-00133	—	2566-00109	—	—	2566-00184
<b>XV502SS</b>								
-20	—		2566-00134	—	2566-00110	—	—	2566-00185
-24	—		2566-00134	—	2566-00110	—	—	2566-00185
-32	—		2566-00134	—	2566-00110	—	—	2566-00185
<b>XV500CS &amp; XV502CS</b>								
-4	2566-00158			2566-00170	2566-00166		2566-00162	
-6	2566-00158			2566-00170	2566-00166		2566-00162	
-8	2566-00158			2566-00171	2566-00166		2566-00162	
-12	2566-00159			2566-00172	2566-00167		2566-00163	
-16	2566-00159			2566-00172	2566-00167		2566-00163	
-20	2566-00160				2566-00168		2566-00164	
-24	2566-00160				2566-00168		2566-00164	
-32	2566-00161				2566-00169		2566-00165	
<b>XV506CS</b>								
-4	2566-00158				2566-00166		2566-00162	
-6	2566-00158				2566-00166		2566-00162	
-8							2566-00234	
-12	—						2566-00235	
-16	—						2566-00236	

**Replacement Handle Nuts**

Valve	Plated Steel	Stainless Steel
XV500P-4	2567-00020	2567-00023
XV500P-6	2567-00020	2567-00023
XV500P-8	2567-00020	2567-00023
XV500P-12	2567-00055	2567-00057
XV500P-16	2567-00055	2567-00057
XV500P-20	2567-00051	2567-00052
XV500P-24	2567-00051	2567-00052
XV500P-32	2567-00051	2567-00052

**Replacement Handle Covers**

Valve	Lever	Short Lever	Tee
XV500P-4	2569-00108		2569-00155
XV500P-6	2569-00108		2569-00155
XV500P-8	2569-00108		2569-00155
XV500P-12	2569-00296		2569-00155
XV500P-16	2569-00296		2569-00155
XV500P-20	2569-00229	2569-00234	
XV500P-24	2569-00229	2569-00234	
XV500P-32	2569-00229	2569-00234	
XV502SS-4		2569-00203	
XV502SS-6		2569-00203	
XV502SS-8		2569-00203	

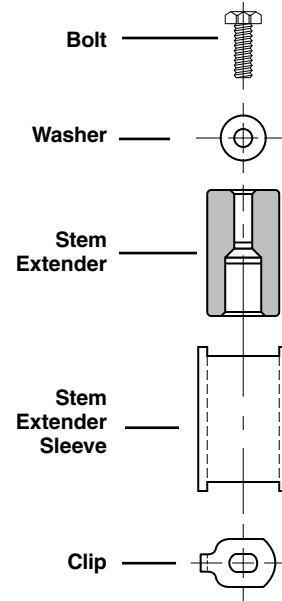


<b>STX</b>	Stem Extension Kit
<b>P</b>	For use on Brass Ball Valves
<b>1</b>	1: 1/4" thru 1/2" valves 2: 3/4" thru 1" valves
<b>125</b>	125: 1-1/4" extension length 225: 2-1/4" extension length

<b>STX</b>	Stem Extension Kit
<b>SS</b>	For use on Stainless Steel Ball Valves
<b>1</b>	1: 1/4" thru 1/2" valves 2: 3/4" thru 1" valves 3: 1-1/4"-2" valves
<b>125</b>	125: 1-1/4" extension length 225: 2-1/4" extension length

All stem extension kit componentry is made from high quality, corrosion resistant stainless steel

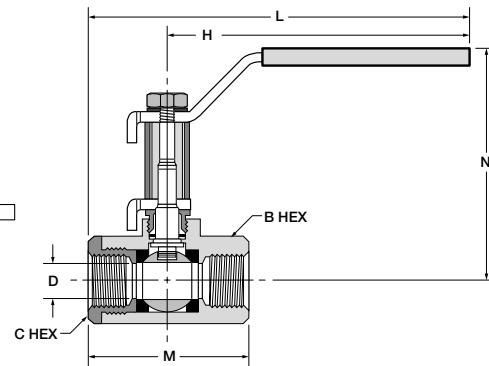
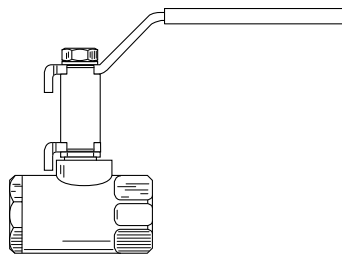
Note: Stem extensions cannot be used with series 509 and series 520.



**Brass Valve Extension Dimensions STX-P-1-125**

PART NO.	VALVE SIZE	B HEX	C HEX	H	L	M	N	D FLOW Ø
STX-P-1-125	1/4	15/16	15/16	3.96	4.96	2.03	3.73	.375
STX-P-1-125	3/8	15/16	15/16	3.96	4.96	2.03	3.73	.375
STX-P-1-125	1/2	1-1/16	1-1/16	3.96	5.05	2.20	3.84	.500
STX-P-2-125	3/4	1-1/4	1-5/16	3.96	5.25	2.42	4.06	.685
STX-P-2-125	1	1-1/2	1-9/16	3.96	5.89	2.75	4.33	.875

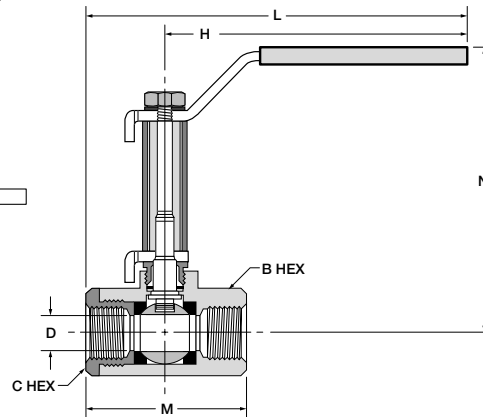
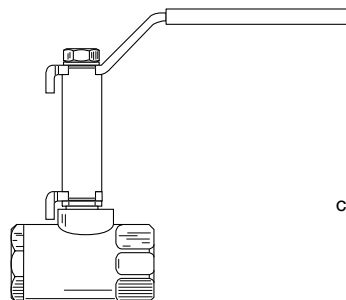
Note: Drawing shows STX-P assembled to XV500P series-not included



**Brass Valve Extension Dimensions STX-P-1-225**

PART NO.	VALVE SIZE	B HEX	C HEX	H	L	M	N	D FLOW Ø
STX-P-1-225	1/4	15/16	15/16	3.96	4.96	2.03	4.73	.375
STX-P-1-225	3/8	15/16	15/16	3.96	4.96	2.03	4.73	.375
STX-P-1-225	1/2	1-1/16	1-1/16	3.96	5.05	2.20	4.84	.500
STX-P-2-225	3/4	1-1/4	1-5/16	3.96	5.25	2.42	5.06	.685
STX-P-2-225	1	1-1/2	1-9/16	3.96	5.89	2.75	5.33	.875

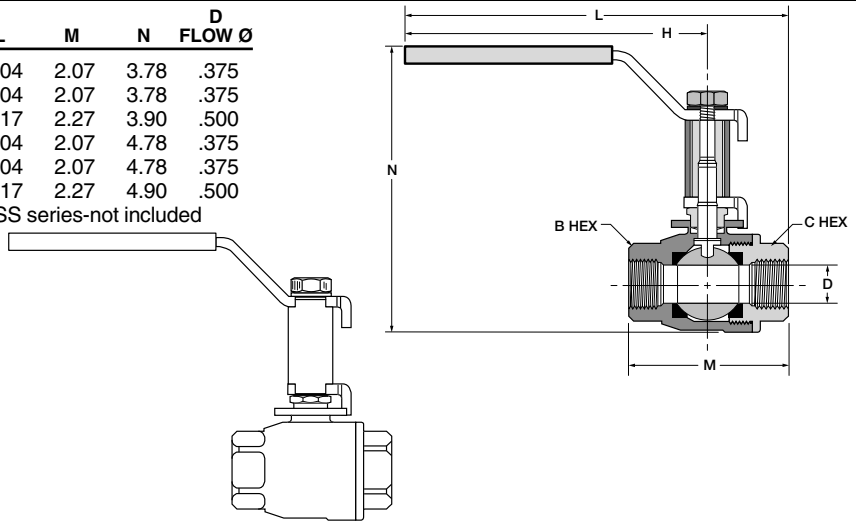
Note: Drawing shows STX-P assembled to XV500P series-not included



**Stainless Steel Valve Extension Dimensions STX-SS-1-X**

PART NO.	VALVE SIZE	B HEX	C HEX	H	L	M	N	D FLOW Ø
STX-SS-1-125	1/4	15/16	15/16	4.00	5.04	2.07	3.78	.375
STX-SS-1-125	3/8	15/16	15/16	4.00	5.04	2.07	3.78	.375
STX-SS-1-125	1/2	1-1/16	1-1/16	4.00	5.17	2.27	3.90	.500
STX-SS-1-225	1/4	15/16	15/16	4.00	5.04	2.07	4.78	.375
STX-SS-1-225	3/8	15/16	15/16	4.00	5.04	2.07	4.78	.375
STX-SS-1-225	1/2	1-1/16	1-1/16	4.00	5.17	2.27	4.90	.500

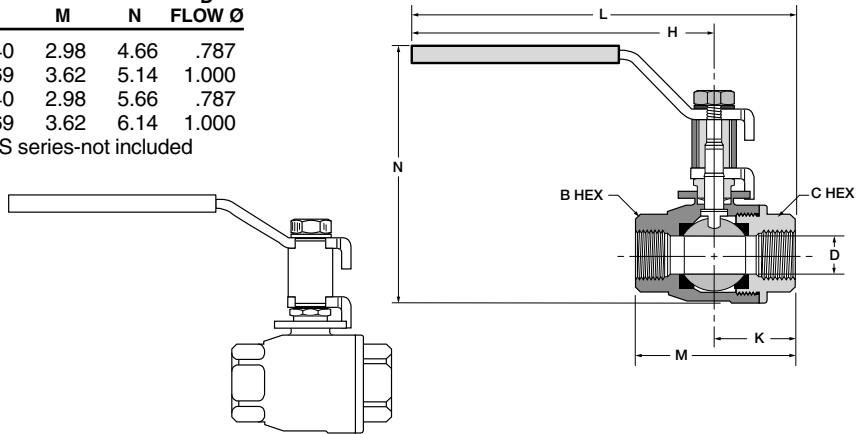
Note: Drawing shows STX-SS assembled to XV502SS series-not included



**Stainless Steel Valve Extension Dimensions STX-SS-2-X**

PART NO.	VALVE SIZE	B/C HEX	H	K	L	M	N	D FLOW Ø
STX-SS-2-125	3/4	1-1/16	4.94	1.52	6.40	2.98	4.66	.787
STX-SS-2-125	1	1-5/8	4.94	1.88	6.69	3.62	5.14	1.000
STX-SS-2-225	3/4	1-1/16	4.94	1.52	6.40	2.98	5.66	.787
STX-SS-2-225	1	1-5/8	4.94	1.88	6.69	3.62	6.14	1.000

Note: Drawing shows STX-SS assembled to XV500SS series-not included

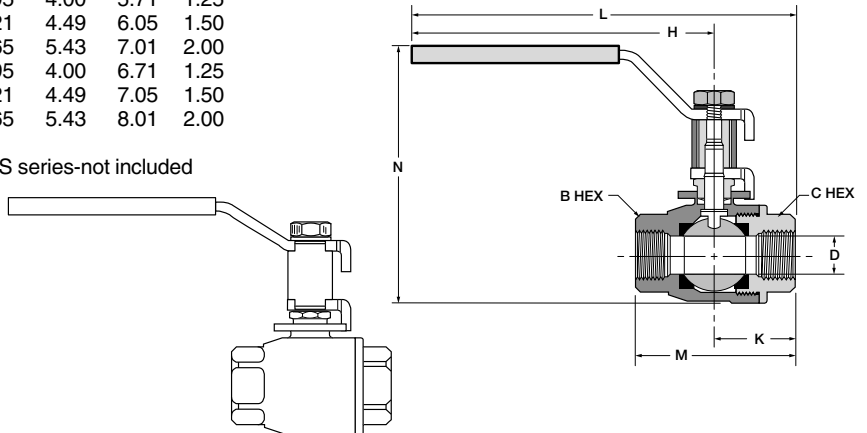


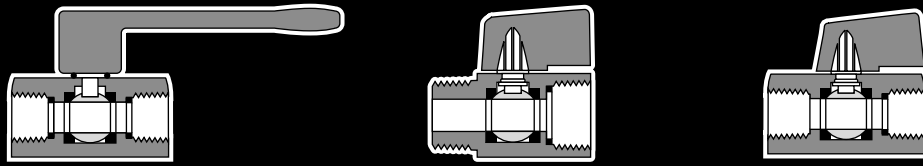
**Stainless Steel Valve Extension Dimensions STX-SS-3-X**

PART NO.	VALVE SIZE	B/C OCT	H	K	L	M	N	D FLOW Ø
STX-SS-3-125	1-1/4	2*	6.94	2.00	8.95	4.00	5.71	1.25
STX-SS-3-125	1-1/2	2-3/8	6.94	2.22	9.21	4.49	6.05	1.50
STX-SS-3-125	2	2-3/4	6.94	2.73	9.65	5.43	7.01	2.00
STX-SS-3-225	1-1/4	2*	6.94	2.00	8.95	4.00	6.71	1.25
STX-SS-3-225	1-1/2	2-3/8	6.94	2.22	9.21	4.49	7.05	1.50
STX-SS-3-225	2	2-3/4	6.94	2.73	9.65	5.43	8.01	2.00

\*Hex bolt

Note: Drawing shows STX-SS assembled to XV500SS series-not included





## Mini Ball Valves Series 200/608/609

### Advantages

The Parker Mini-Valve is to be used in confined and hard to reach applications. The Brass extruded body allows for extended service life and is chrome plated as standard. Features of the MV608/609 valves include blowout proof stem, hard chrome plate ball, PTFE seats, viton stem seals, and standard yellow handle. MV200 valve features a black lever handle. This economical ball valve is available in 1/8", 1/4", 3/8" and 1/2" sizes.

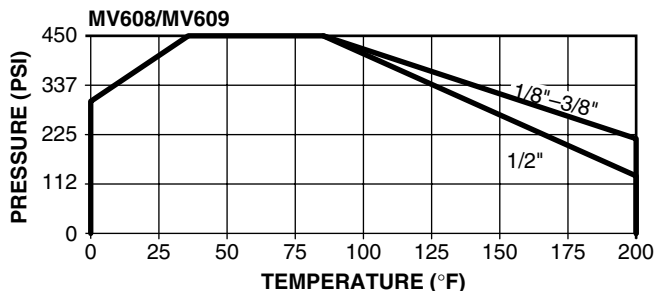
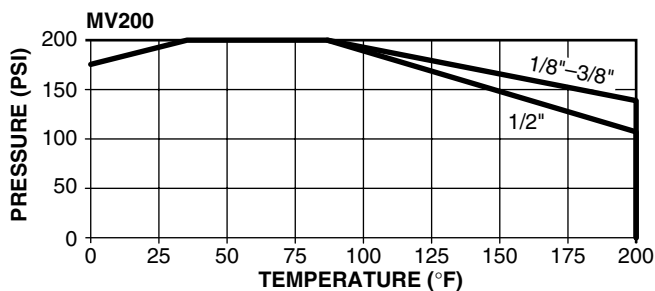
### Applications

Parker's industrial ball valve product line is intended for general purpose use. Please be aware that ball valves are intended for use in the fully open or closed positions. Depending on application conditions, throttling of the valve may result in premature seal failure and/or inability to turn the valve handle.

For use on water and air service lines on capital equipment and plant design plumbing that require total shutoff capability.

### Working Pressure and Temperatures

These valves are designed and built for use at pressures and temperatures within the stated ranges. Consult the factory for any use outside of these ranges.



### Operating Instructions

Quarter turn is "ON" or "OFF".  
(Provides Positive stop action for full shutoff.)

Style	Type	Size
MV	608 609	-2
Style	MV-Mini Valve	
Type	608-Male/Female 609-Female/Female	
Handle Color	MV200 features a black lever handle MV608/MV609 features-yellow wedge handles	
Size	2-1/8" 4-1/4" 6-3/8" 8-1/2"	

Style	Type	Size
MV	200	-2
Style	MV-Mini Valve	
Type	200-Female/Female Lever Handle	
Size	2-1/8" 4-1/4" 6-3/8" 8-1/2"	

### Flow data

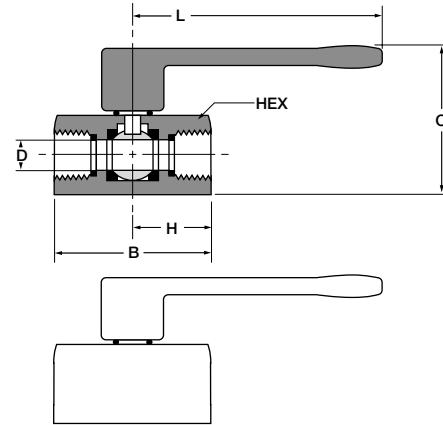
VALVE SIZE	MV200 CV	MV608 CV	MV609 CV
1/8	1.3	1.2	1.4
1/4	4.0	5.8	4.3
3/8	3.7	3.9	3.6
1/2	5.8	5.6	6.0

K



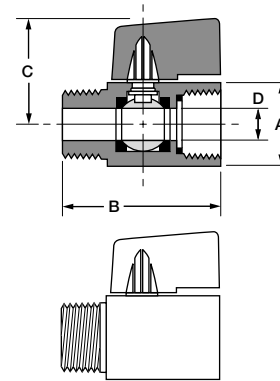
**Female Pipe Ends, Lever Handle, Mini Ball Valve MV200**

PART NO.	PIPE THREAD	HEX	B	C	H	L	FLOW DIA.D
MV200-2	1/8	.83	1.71	1.20	.91	2.83	.31
MV200-4	1/4	.83	1.71	1.20	.91	2.83	.31
MV200-6	3/8	.83	1.71	1.20	.91	2.83	.31
MV200-8	1/2	.98	2.11	1.28	1.10	2.83	.39



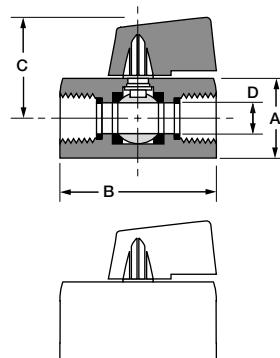
**Male-Female Pipe Ends, Compact Handle, Mini Ball Valve MV608**

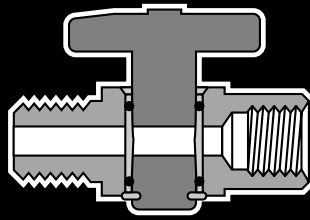
PART NO.	PIPE THREAD	A HEX	B	C	FLOW DIA.D
MV608-2	1/8	.83	1.72	1.12	.240
MV608-4	1/4	.83	1.72	1.12	.300
MV608-6	3/8	.83	1.72	1.22	.315
MV608-8	1/2	.98	2.11	1.20	.380



**Female Pipe Ends, Compact Handle, Mini Ball Valve MV609**

PART NO.	PIPE THREAD	A HEX	B	C	FLOW DIA.D
MV609-2	1/8	.83	1.72	1.12	.240
MV609-4	1/4	.83	1.72	1.12	.300
MV609-6	3/8	.83	1.72	1.12	.300
MV609-8	1/2	.98	2.11	1.20	.380
MV609-6-4	3/8x1/4	.83	1.72	1.12	.300





## Plug Valves Series PV

### Advantages

Compact design features internal nitrile seals and a one-piece extruded brass body, offering compatibility with a wide range of media. The one-piece stem/handle combination is constructed of glass reinforced acetal copolymer. Parker plug valves feature 1/4 turn shutoff allowing for ease of operation. All plug valves are 100% leak tested and are certified to be leak free to one SCCM.

### Materials

Extruded Bodies: CA 360  
 Stem/Handle: Acetal Copolymer  
 O-Rings: Nitrile (other compounds available)  
 Stop Pin: 420SS  
 Spiral Ring: 302SS

### Temperature and Working Pressure Ranges

From -40° to +175°F at 250 PSI maximum.

### Applications

Manufactured for use with air, water, oil and certain other fluids. Contact factory for special fluid requirements

### Installation Instructions

To assure sealability and reliable performance, the valve must be installed so that the flow media travels in the direction of the arrow on the valve handle.

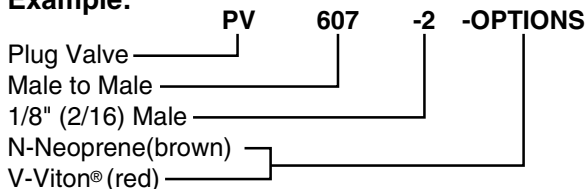
### Order

By part number and name.

### Nomenclature

Part numbers are constructed from symbols that identify the style and size of the fitting. The first series of numbers and letters identifies the style and type fitting. The second series of numbers describes the size.

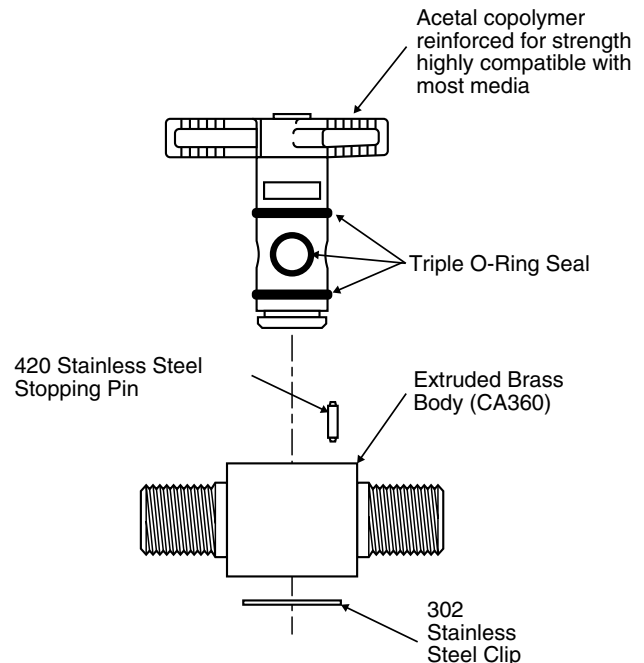
#### Example:



### Special Valves

Fitting configurations and/or sizes other than those shown in the catalog can be furnished. It is suggested that a print or sketch be submitted with the inquiry.

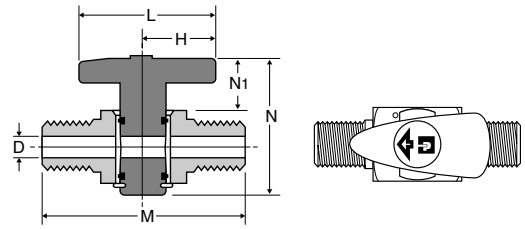
### Features



**K**

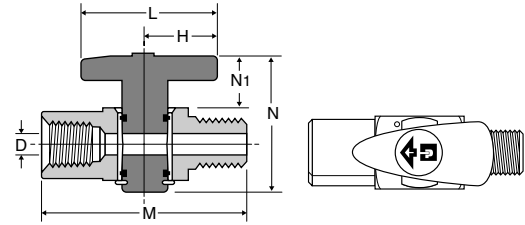
**Male Pipe to Male Pipe Plug Valve PV607**

PART NO.	PIPE THREAD	H	L	M	N	N1	FLOW DIA. D
PV607-2	1/8	.67	1.34	1.66	1.38	.51	.200
PV607-4	1/4	.67	1.34	2.02	1.38	.51	.200



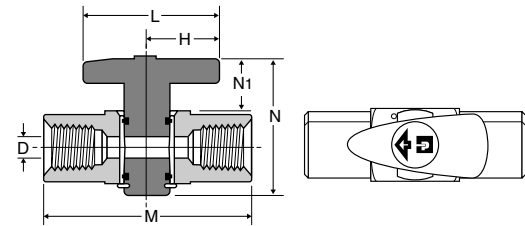
**Female Pipe to Male Pipe Plug Valve PV608**

PART NO.	PIPE THREAD	H	L	M	N	N1	FLOW DIA. D
PV608-2	1/8	.67	1.34	1.67	1.38	.51	.200
PV608-4	1/4	.67	1.34	2.06	1.38	.51	.200



**Female Pipe to Female Pipe Plug Valve PV609**

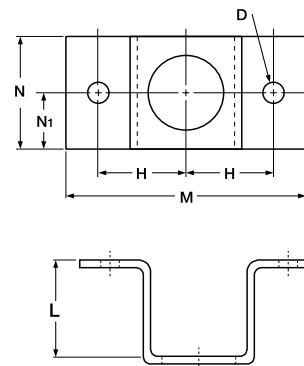
PART NO.	PIPE THREAD	H	L	M	N	N1	FLOW DIA. D
PV609-2	1/8	.67	1.34	1.68	1.38	.51	.200
PV609-4	1/4	.67	1.34	2.10	1.38	.51	.200

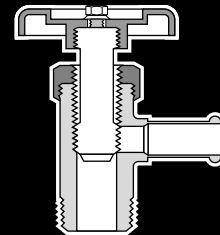
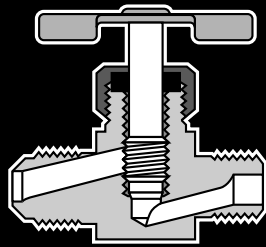


**Mounting Bracket PVMB-001**

PART NO.	H	L	M	N	N1	D
PVMB-001	.68	.75	1.86	.90	.45	.135

Note: 1" diameter hole required in panel when using mounting bracket





## Needle Valves, Truck Valves, Lanyard Valve

### Advantages

Parker Needle and Truck Valves have metal-to-metal seats, with fine-thread screwdown. This enables positive sealing up to the capacity of the valve.

The Lanyard Valves' compact design is ideally suited for releasing condensate from air tanks. Available with various lengths of cable. Brass construction with specially formulated low temperature seal which remains elastic to temperatures as low as -40°F. It is manufactured for use with low pressure air systems such as air tanks on heavy trucks. Consult division for use with other fluids.

### Working Pressure and Temperature

Valves are designed to withstand up to 150 PSI working pressure, unless otherwise noted. See specific part number for temperature range.

### Needle Valves Installation Instructions

Series NV valves should always be installed with the pressure against the seat. Refer to drawing to determine correct direction of flow.

### Lanyard Valve Operating Instructions

A pulling action exerted on the cable cocks the stem, allowing condensate to pass through the valve. Releasing the cable resets the stem which returns the valve to its closed position.

### Order

By part number and name.

### Nomenclature

Part numbers are constructed from symbols that identify the style and size of the fitting. The first series of numbers and letters identifies the style and type fitting. The second series of numbers describes the size.

<b>Example:</b>	NV	101	F	-4	-2
Needle Valve	_____	_____	_____	_____	_____
Angle Needle Valve	_____	_____	_____	_____	_____
Flared to Male Pipe	_____	_____	_____	_____	_____
1/4" (4/16) Tube O.D.	_____	_____	_____	_____	_____
1/8" (2/16) Pipe Thread	_____	_____	_____	_____	_____

<b>Example:</b>	LV91	-4	-060
Lanyard Valve	_____	_____	_____
1/4" Pipe Thread	_____	_____	_____
Length of Cable in inches	_____	_____	_____

### Special Valves

Valve configurations and/or sizes other than those shown in the catalog can be furnished. It is suggested that a print or sketch be submitted with the inquiry.

### Pricing

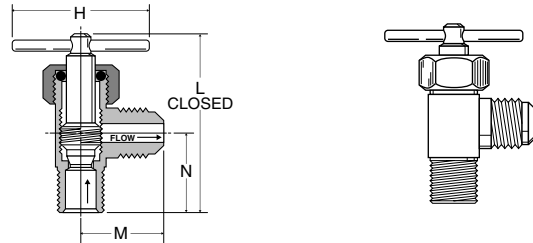
Only items priced in current supplementary price list PL3501 are carried in stock. Price and delivery for non-stock items furnished on request for specified quantity.

K

**Angle Needle Valve NV101F**

Flare to Male Pipe  
 Temperature Range: -45° to +250° F

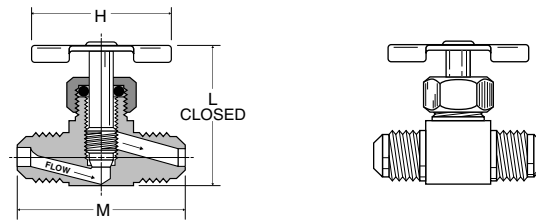
PART NO.	TUBE SIZE	PIPE THREAD	H	L	M	N
NV101F-4-2	1/4	1/8	1.50	1.58	.75	.66
NV101F-6-4	3/8	1/4	1.38	1.86	.95	.90



**Needle Valve NV102F**

Flare to Flare \*Provided with Pin Handle  
 Temperature Range: -45° to +250° F

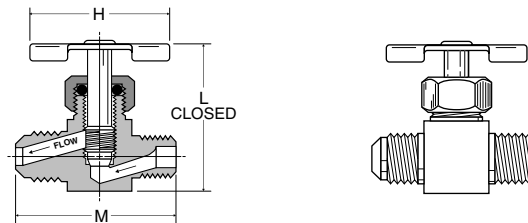
PART NO.	TUBE SIZE	H	L	M
NV102F-4*	1/4	1.50	1.34	1.50
NV102F-6	3/8	1.38	1.55	1.86



**Needle Valve NV103F**

Flare to Male Pipe \*Provided with Pin Handle  
 Temperature Range: -45° to +250° F

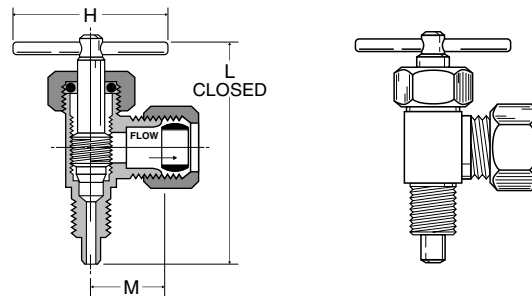
PART NO.	TUBE SIZE	PIPE THREAD	H	L	M
NV103F-4-2*	1/4	1/8	1.50	1.33	1.35
NV103F-6-4	3/8	1/4	1.38	1.56	1.73



**Humidifier Valve HV104C**

Temperature Range: -45° to +250° F

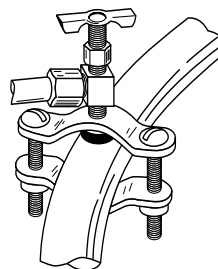
PART NO.	TUBE SIZE	PIPE THREAD	H	L	M
HV104C-4-2	1/4	1/8	1.50	1.89	.53



**Humidifier Valve clamp kit HV104C-kit**

Temperature Range: -30° to +250° F  
 Clamp fits 3/8" O.D. through 1.315" O.D. tube or pipe. Kit includes 60PT-4 and 63PT-4 for assembly with plastic or nylon tubing. For complete kit, specify entire part number as shown below:

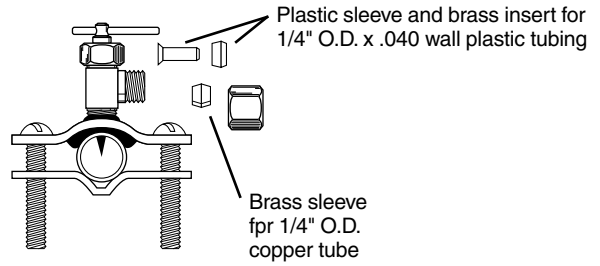
PART NO.	TUBE SIZE	PIPE THREAD
HV104C-4-2 KIT	1/4	1/8



**Self-Piercing Humidifier Valve clamp kit SPV104C-kit**

Temperature Range: -30° to +250° F  
 Clamp fits 3/8" O.D. through 1.315" O.D. tube or pipe. Kit includes 60PT-4 and 63PT-4 for assembly with plastic or nylon tubing. For complete kit, specify entire part number as shown below:

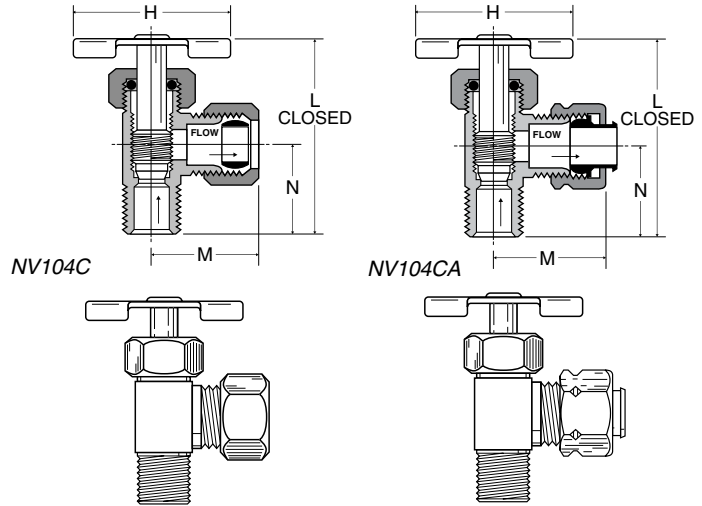
PART NO.	TUBE SIZE	PIPE THREAD
SPV104C KIT	1/4	1/8



**Angle Needle Valve NV104C-NV104CA**

Compression to Male Pipe \*Provided with Pin Handle  
 Temperature Range: -45° to +250° F

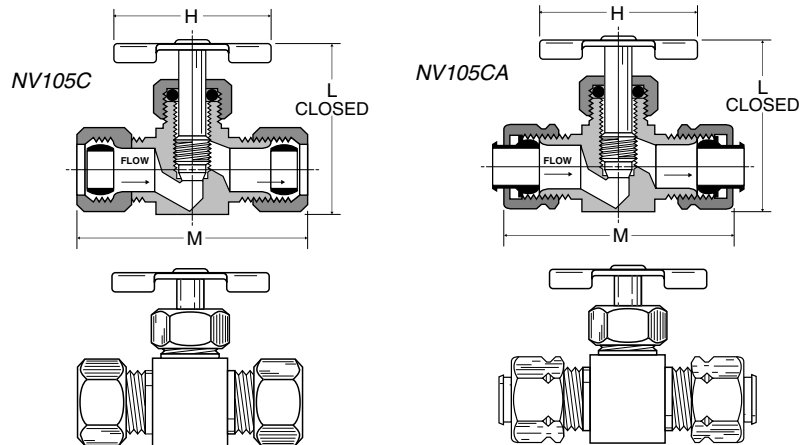
PART NO.	TUBE SIZE	PIPE THREAD	H	L	M	N
NV104C-4-2*	1/4	1/8	1.50	1.54	.88	.67
NV104CA-4-2*	1/4	1/8	1.50	1.49	.77	.66
NV104C-4-4	1/4	1/4	1.38	1.80	.93	.75
NV104C-5-2*	5/16	1/8	1.50	1.63	.88	.68
NV104C-6-4	3/8	1/4	1.38	1.76	.94	.81



**Needle Valve NV105C-NV105CA**

Compression to Compression \*Provided with Pin Handle  
 Temperature Range: -45° to +250° F

PART NO.	TUBE SIZE	H	L	M
NV105C-4*	1/4	1.50	1.41	1.75
NV105C-5*	5/16	1.50	1.35	1.73
NV105C-6	3/8	1.38	1.55	1.93
NV105CA-4*	1/4	1.50	1.41	1.64
NV105CA-6	3/8	1.38	1.55	1.78

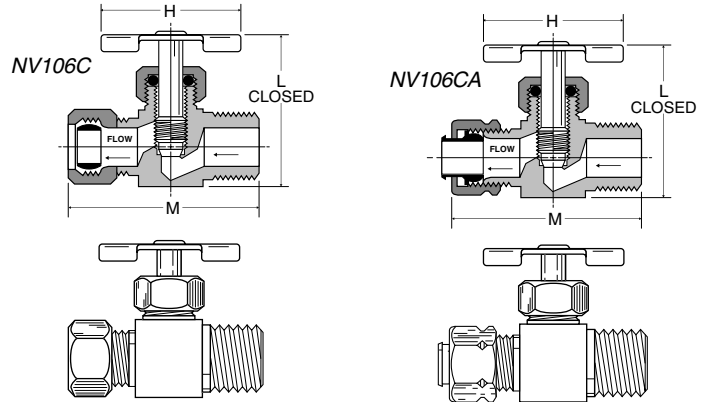


**K**

**Needle Valve NV106C-NV106CA**

Compression to Male Pipe \*Provided with Pin Handle  
 Temperature Range: -45° to +250° F

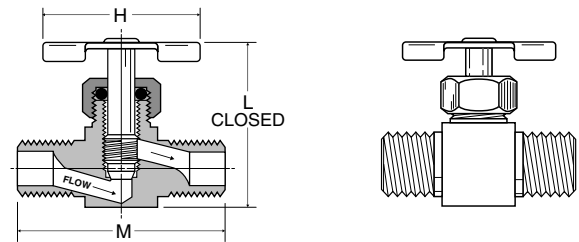
PART NO.	TUBE SIZE	PIPE THREAD	H	L	M
NV106C-4-2*	1/4	1/8	1.50	1.41	1.53
NV106C-4-4*	1/4	1/4	1.50	1.40	1.55
NV106C-5-2*	5/16	1/8	1.50	1.35	1.50
NV106C-6-4	3/8	1/4	1.38	1.56	1.75
NV106CA-4-2	1/4	1/8	1.50	1.41	1.47
NV106CA-4-4*	1/4	1/4	1.50	1.33	1.52
NV106CA-6-4	3/8	1/4	1.38	1.53	1.78



**Needle Valve NV107P**

Male Pipe to Male Pipe \*Provided with Pin Handle  
 Temperature Range: -45° to +250° F

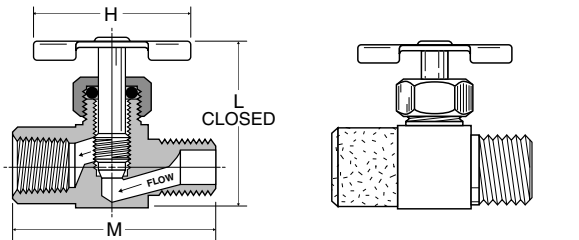
PART NO.	PIPE THREAD	H	L	M
NV107P-2*	1/8	1.50	1.35	1.25
NV107P-4	1/4	1.38	1.54	1.65



**Needle Valve NV108P**

Female Pipe to Male Pipe \*Provided with Pin Handle  
 Temperature Range: -45° to +250° F

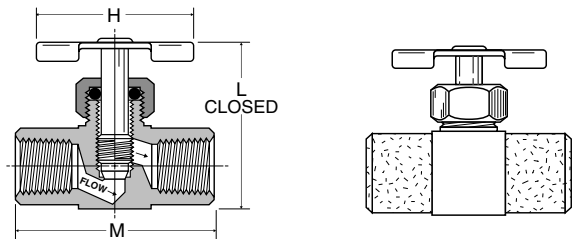
PART NO.	PIPE THREAD	H	L	M
NV108P-2*	1/8	1.50	1.36	1.25
NV108P-4	1/4	1.38	1.56	1.61



**Needle Valve NV109P**

Female Pipe to Female Pipe \*Provided with Pin Handle  
 Temperature Range: -45° to +250° F

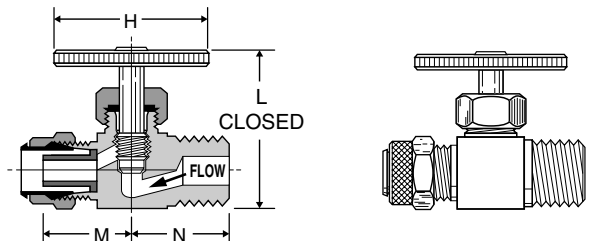
PART NO.	PIPE THREAD	H	L	M
NV109P-2*	1/8	1.50	1.35	1.25
NV109P-4	1/4	1.38	1.53	1.60



**Needle Valve NV311P**

Poly-Tite to Male Pipe  
 Temperature Range: 0° to +150° F

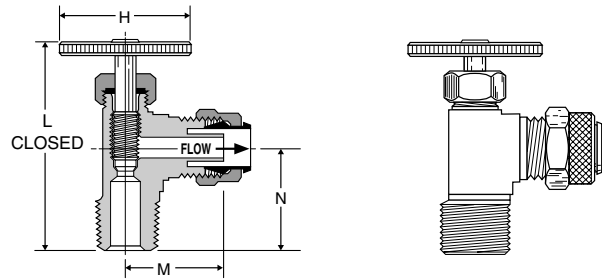
PART NO.	TUBE SIZE	PIPE THREAD	H	L	M	N
NV311P-4-2	1/4	1/8	1.07	1.17	.50	.63
NV311P-4-4	1/4	1/4	1.07	1.18	.50	.72
NV311P-6-4	3/8	1/4	1.07	1.19	.56	.72



**Angle Needle Valve NV312P**

Ploy-Tite to Male Pipe  
 Temperature Range: 0° to +150° F

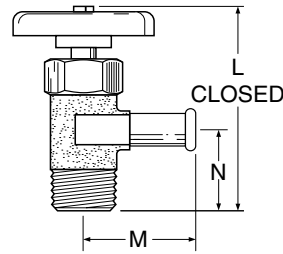
PART NO.	TUBE SIZE	PIPE THREAD	H	L	M	N
NV312P-4-2	1/4	1/8	1.07	1.53	.48	.68
NV312P-4-4	1/4	1/4	1.07	1.72	.56	.86
NV312P-6-4	3/8	1/4	1.07	1.68	.64	.86



**Truck Valve V404P**

Hose to Male Pipe  
 Temperature Range: -30° to +250° F

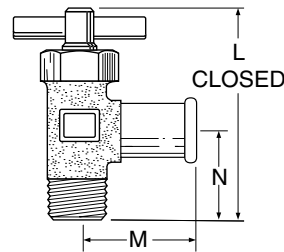
PART NO.	HOSE I.D.	PIPE THREAD	FLOW	L	M	N
V404P-6-6	3/8	3/8	.281	2.35	1.36	.94
V404P-10-6	5/8	3/8	.406	2.75	1.31	1.15



**Truck Valve V404PH**

Hose to Male Pipe with Pin Handle  
 Temperature Range: -30° to +250° F

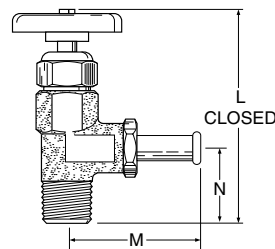
PART NO.	HOSE I.D.	PIPE THREAD	FLOW	L	M	N
V404PH-10-6	5/8	3/8	.406	2.47	1.31	1.09



**Truck Valve SV404P**

Hose to Male Pipe  
 Temperature Range: -30° to +250° F

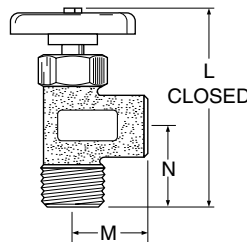
PART NO.	HOSE I.D.	PIPE THREAD	FLOW	L	M	N
SV404P-10-8	5/8	1/2	.468	3.71	2.31	1.34
SV404P-12-6	3/4	3/8	.438	3.73	2.31	1.34
SV404P-12-8	3/4	1/2	.562	3.73	2.31	1.34



**Truck Valve V405P**

Female Pipe to Male Pipe  
 Temperature Range: -30° to +250° F

PART NO.	FEMALE MALE		FLOW	L	M	N
	PIPE THREAD	PIPE THREAD				
V405P-6-6	3/8	3/8	.406	2.72	.91	1.19
V405P-6-8	3/8	1/2	.406	2.95	.91	1.31
V405P-8-8	1/2	1/2	.562	3.15	1.17	1.34



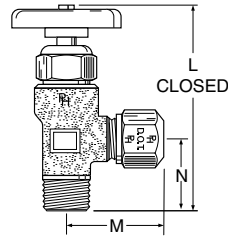
**K**



**Truck Valve V408NTA**

Tube to Male Pipe  
 Temperature Range: -30° to +250° F

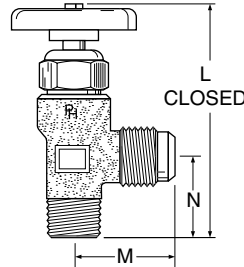
PART NO.	TUBE SIZE	PIPE THREAD	FLOW	L	M	N
V408NTA-8-8	1/2	1/2	.328	3.28	1.15	1.19



**Truck Valve V409F**

Flare to Male Pipe  
 Temperature Range: -30° to +250° F

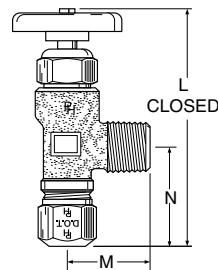
PART NO.	TUBE SIZE	PIPE THREAD	FLOW	L	M	N
V409F-8-6	1/2	3/8	.406	3.07	1.31	1.00
V409F-8-8	1/2	1/2	.406	3.28	1.31	1.19
V409F-10-8	5/8	1/2	.500	3.47	1.50	1.25
V409F-12-8	3/4	1/2	.562	3.70	2.31	1.34



**Truck Valve V410NTA**

Tube to Male Pipe  
 Temperature Range: -30° to +250° F

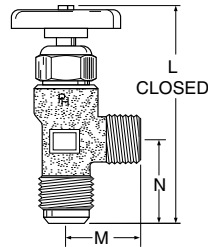
PART NO.	TUBE SIZE	PIPE THREAD	FLOW	L	M	N
V410NTA-8-8	1/2	1/2	.328	3.58	1.38	1.31



**Truck Valve V412F**

Tube to Male Pipe  
 Temperature Range: -30° to +250° F

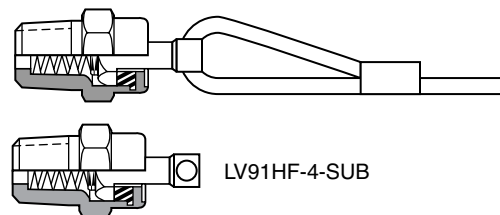
PART NO.	TUBE SIZE	PIPE THREAD	FLOW	L	M	N
V412F-10-8	5/8	1/2	.500	3.60	1.38	1.31

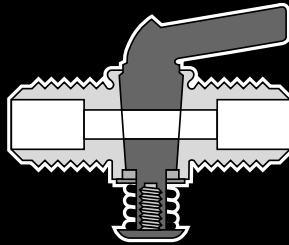


**Lanyard Valve LV91**

Temperature Range: -40° to +200° F

PART NO.	PIPE THREAD	CABLE LENGTH INCHES
LV91-4-036	1/4	36
LV91-4-048	1/4	48
LV91-4-060	1/4	60
LV91HF-4-SUB	1/4	--





## Drain Cocks/Ground Plug Shutoff

### Drain Cock Advantages

Both external-seat and internal-seat drain cocks are manufactured to the highest quality standards. Hand-tightening provides a metal-to-metal seal.

### Ground Plug Shutoff Advantages

These economical valves are available in several styles. Brass castings or forged bodies for extra strength.

### Applications

Manufactured for use with low pressure air, water, gas and certain other fluids. (Note: lubricant may not be compatible with some fluids, contact factory for special fluid requirements.)

### Temperature and Working Pressure Ranges

System temperature and the type of tubing used should be considered. Ground plug shutoffs are designed to withstand 30 PSI working pressure. Drain cocks are designed to withstand 150 PSI working pressure, except where noted. See specific part number for temperature range.

### Order

By part number and name.

### Nomenclature

Part numbers are constructed from symbols that identify the style and size of the fitting. The first series of numbers and letters identifies the style and type fitting. The second series of numbers describes the size.

**Example:**

	DC	604	-2
Drain Cock	_____	_____	_____
External Seat	_____	_____	_____
1/8" (2/16) Pipe Thread	_____	_____	_____

**Example:**

	V	204	F	-4	-2
Valve	_____	_____	_____	_____	_____
Flared to Male Pipe	_____	_____	_____	_____	_____
Flared	_____	_____	_____	_____	_____
1/4" (4/16) Tube O.D.	_____	_____	_____	_____	_____
1/8" (2/16) Pipe Thread	_____	_____	_____	_____	_____

### Sizes

Tube sizes are determined by the number of sixteenths of an inch in the tube O.D.

### Special Valves

Fitting configurations and/or sizes other than those shown in the catalog can be furnished. It is suggested that a print or sketch be submitted with the inquiry.

### Pricing

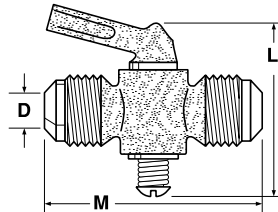
Only items priced in current supplementary price list PL3501 are carried in stock. Price and delivery for non-stock items furnished on request for specified quantity.

**K**

**Ground Plug Shutoff V203F**

Flare to Flare  
 Temperature Range: +32° to +125° F

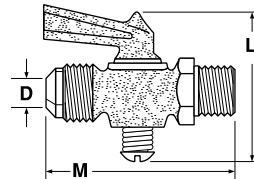
PART NO.	TUBE SIZE	L	M	FLOW DIA. D
V203F-6-6	3/8	2.26	2.14	.220
V203F-8-8	1/2	2.26	2.42	.281



**Ground Plug Shutoff V204F**

Flare to Male Pipe  
 Temperature Range: +32° to +125° F

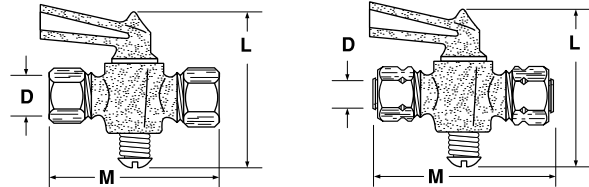
PART NO.	TUBE SIZE	PIPE THREAD	L	M	FLOW DIA. D
V204F-4-2	1/4	1/8	1.88	2.08	.180
V204F-6-4	3/8	1/4	2.27	2.05	.218



**Ground Plug Shutoff V303C / V303CA**

Compression to Compression  
 Temperature Range: +32° to +125° F

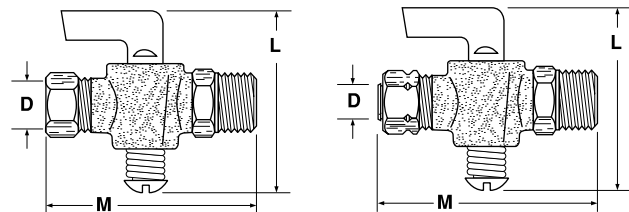
PART NO.	TUBE SIZE	L	M	FLOW DIA. D
V303C-4-4	1/4	1.88	2.33	.188
V303CA-4-4	1/4	1.90	1.75	.188
V303C-6-6	3/8	2.26	2.45	.218
V303CA-6-6	3/8	1.76	1.60	.218



**Ground Plug Shutoff V304C / V304CA**

Compression to Male Pipe  
 Temperature Range: +32° to +125° F

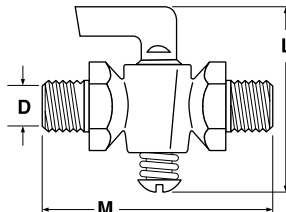
PART NO.	TUBE SIZE	PIPE THREAD	L	M	FLOW DIA. D
V304C-4-2	1/4	1/8	1.90	2.29	.188
V304CA-4-2	1/4	1/8	1.88	2.00	.188
V304C-4-4	1/4	1/4	1.90	2.15	.188
V304CA-4-4	1/4	1/4	1.86	2.08	.188
V304C-6-4	3/8	1/4	1.83	2.24	.218
V304CA-6-4	3/8	1/4	1.83	2.11	.218



**Ground Plug Shutoff V401P**

Male Pipe to Male Pipe  
 Temperature Range: +32° to +125° F

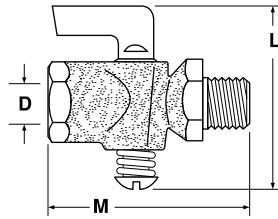
PART NO.	PIPE THREAD	L	M	FLOW DIA. D
V401P-2-2	1/8	1.90	2.25	.188
V401P-4-4	1/4	1.90	1.98	.188



**Ground Plug Shutoff V402P**

Female Pipe to Male Pipe  
 Temperature Range: +32° to +125° F

PART NO.	FEMALE PIPE THREAD	PIPE THREAD	L	M	FLOW DIA. D
V402P-2-2	1/8	1/8	1.89	1.73	.218
V402P-4-4	1/4	1/4	1.88	2.26	.218
V402P-6-6	3/8	3/8	2.34	2.21	.245

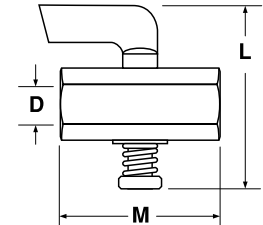
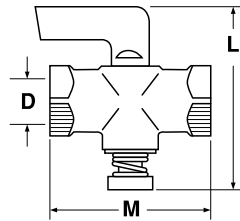


**Ground Plug Shutoff V403P**

Female Pipe to Female Pipe  
 Temperature Range: +32° to +125° F

PART NO.	FEMALE PIPE THREAD	L	M	FLOW DIA. D
V403P-2-2	1/8	1.90	1.51	.188
V403P-4-4	1/4	1.90	1.65	.188
V403P-6-6*	3/8	2.25	2.00	.250

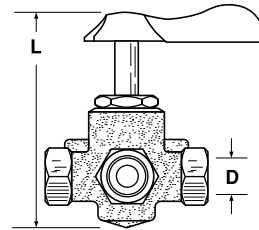
\*Made from extruded bar stock



**Three-way valve V406P**

Female Pipe three ends  
 Temperature Range: -40° to +180° F

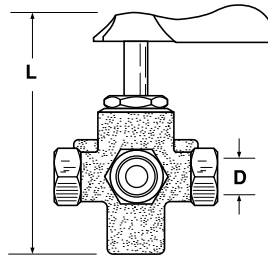
PART NO.	PIPE THREAD	L	FLOW DIA. D
V406P-4	1/4	3.10	.281



**Four-way valve V407P**

Female Pipe four ends  
 Temperature Range: -40° to +180° F

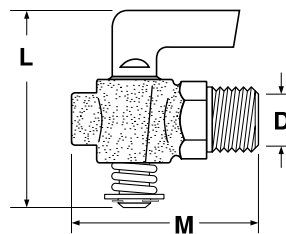
PART NO.	PIPE THREAD	L	FLOW DIA. D
V407P-4	1/4	3.30	.281



**Ground Plug Shutoff DC601**

Temperature Range: +32° to +125° F

PART NO.	PIPE THREAD	L	M	FLOW DIA. D
DC601-2	1/8	1.90	1.40	.170
DC601-4	1/4	1.90	1.52	.170
DC601-6	3/8	2.26	1.74	.281
DC601-8	1/2	2.29	1.82	.281

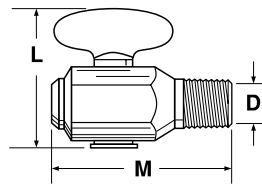


**K**

**Drain Cock DCR601**

Temperature Range: -30° to +250° F

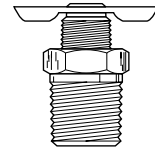
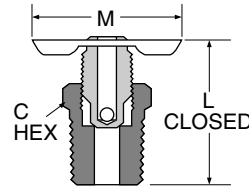
PART NO.	PIPE THREAD	L	M	FLOW DIA. D
DCR601-4	1/4	1.41	1.73	.188



**Internal Seal Drain Cock DC602**

Temperature Range: -65° to +250° F

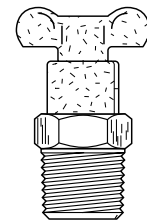
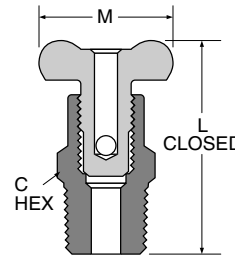
PART NO.	PIPE THREAD	C HEX	L	M
DC602-2	1/8	13/32	.92	1.25
DC602-4	1/4	9/16	.94	1.25



**Drain Cock DC603**

Temperature Range: -65° to +250° F

PART NO.	PIPE THREAD	C HEX	L	M
DC603-2	1/8	1/2	1.41	1.00
DC603-4	1/4	5/8	1.54	1.16
DC603-6	3/8	11/16	1.63	1.16

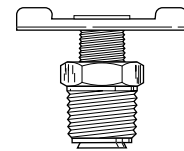
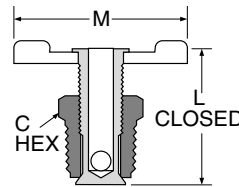


**External Seal Drain Cock DC604**

Temperature Range: -25° to +250° F

PART NO.	PIPE THREAD	C HEX	L	M
DC604-2*	1/8	7/16	.85	1.25
DC604-4	1/4	9/16	1.00	1.38
DC604-6*	3/8	11/16	1.22	1.68

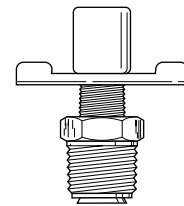
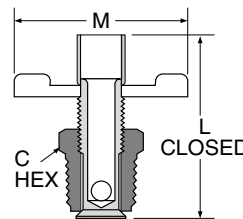
\*When assembled handle wings are down facing



**External Seal Drain Cock DC606**

Temperature Range: -65° to +250° F

PART NO.	PIPE THREAD	C HEX	L	M
DC606-4	1/4-18	9/16	1.50	1.38



**Bib Drain Valve DC607**

Temperature Range: -65° to +250° F

PART NO.	HOSE SIZE	PIPE THREAD	FLOW	L	M	N
DC607-4	3/8	1/4	.31	1.32	.67	.71

