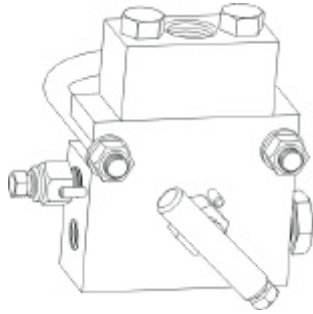


Pressure Instrument Manifolds

.187" ORIFICE

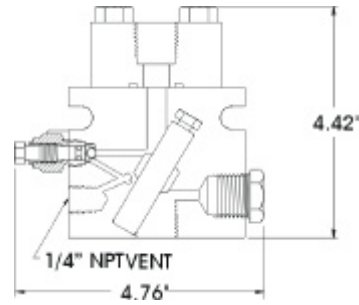
Description

1/2" FNPT x 1/2" FNPT

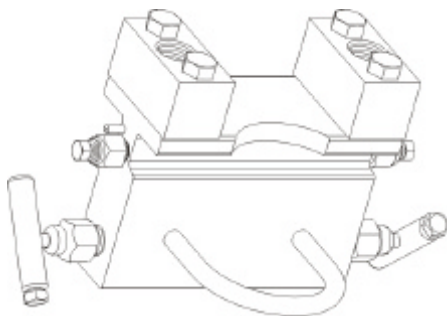


Single Instrument

M-598 Hard Seat

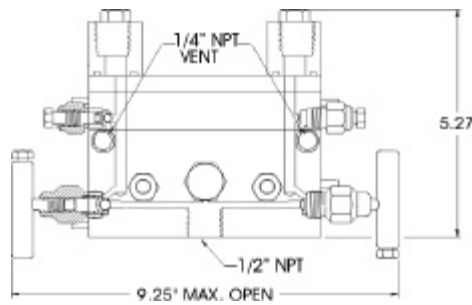


1/2" FNPT x (2) 1/2" FNPT



Dual Instrument

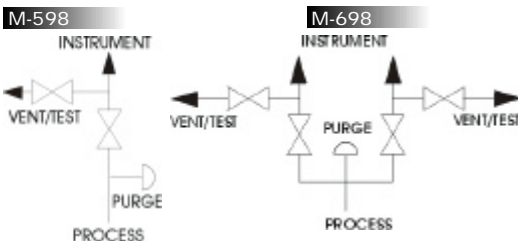
M-698 Hard Seat



MATERIALS OF CONSTRUCTION

SEAT	MAX Cv RATINGS
Hard Ball / Cone	.53
Approx. Manifold Weight:	5.0 lbs each [M-598] 10.0 lbs each [M-698]

PART DESCRIPTION	CARBON STEEL	A105 CARBON STEEL	316 SS	MONEL®	HASTELLOY-C®
Body	ASTM A108-1215	ASTM A105-CF	ASTM A479-316	ASTM B164-N04405 or ASTM B164-N04400	ASTM B575-N10276 or ASTM A494 CW-12MW
Bonnet	ASTM A108-1215	ASTM A479-316	ASTM A479-316	ASTM B164-N04405	ASTM B574-N10276
Stem	ASTM A582-303	ASTM A479-316	ASTM A479-316	ASTM B164-N04405	ASTM B574-N10276
Seal Retainer	ASTM A479-316	ASTM A479-316	ASTM A479-316	ASTM B164-N04405	ASTM B574-N10276
Handle Assembly	ASTM A108	ASTM A108	ASTM A582 (18-8)	ASTM A582 (18-8)	ASTM A582 (18-8)
Plug(s)	ASTM A108	ASTM F593 (18.8)	ASTM A182-F (18-8)	ASTM B164-N04405	ASTM B574-N10276
Mounting Bolts	ASTM A449-TYPE 1	ASTM A449-TYPE 1	ASTM A449-TYPE 1	ASTM F593 (18-8)	ASTM F593 (18-8)
U-Bolts	ASTM A449-G15	ASTM A449-G15	300 SERIES SS	300 SERIES SS	300 SERIES SS



- Carbon Steel Manifolds are Zinc Cobalt Plated with Dichromate Dip
- 316 SS Manifolds Meet NACE MR0175 Requirements (Latest Revision)
- 100% Pressure Tested
- Carbon Steel Weld End Connection Bodies are AISI 1018

Pressure Instrument Manifolds

.187" ORIFICE

PRESSURE INSTRUMENT MANIFOLDS

ORDERING INFORMATION

BODY STYLE	BODY CODE	SEAT CODE	STEM SEAL CODE	OPTION CODES
Hard Seat				
M - 5 9 8			-	
M - 6 9 8			-	

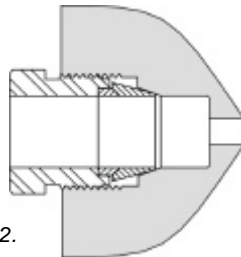
BODY CODE	
[Std.] Carbon Steel	C
A105 Carbon Steel	P
[Std.] 316 SS	S
Monel®	M
Hastelloy-C®	H

HARD SEAT CODE	
C Carbide Ball [Std.]	C
Ceramic Ball	R
316 SS Ball	6
Hastelloy-C® Ball	H
K-Monel® Ball	N

STEM SEAL CODE		
Block Valve(s)	Vent Valve(s)	
[Std.] Teflon® Pressure-Core™	Viton® O-Ring [Std.]	T
Grafoil® Packed	Grafoil® Packed	G
Viton® O-Ring	Viton® O-Ring	V
Teflon® Packed	Teflon® Packed	P
Low-Temp Pressure-Core™	Fluorosilicone O-Ring	J

OPTIONS

- Integral Tube Fitting Connections
- Bonnet Handle Lock-Out
- Bonnet Lock Plates



See Options/Accessories Pages 61-62.

OPTION CODE	OPTION DESCRIPTION
CVSCF	Vent Valve Seal Material: Fluorosilicone O-Ring
CVSCG	Vent Valve Seal Material: Grafoil® Packed
CVSCP	Vent Valve Seal Material: Teflon® Packed
GC	Anti-Tamper Bonnet (Isolate Valve(s) Only)
GK	Bonnet Lock-Out (Isolate Valve(s) Only - Lock Not Provided)
TH	Hydrostatic Testing
W	Safety Bonnet Lock Plate
WK	Paper Tag
W1	316 SS Tag (20 Characters - See page 61)
W3	300 SS Standard Length Flange Bolts (CS Standard)
W9	316 SS Standard Length Flange Bolts (CS Standard)
XL	Clean for Critical Service (Oxygen or Chlorine)

PRESSURE & TEMPERATURE

BODY MATERIAL	HARD SEAT	
	Teflon Pressure-Core	Grafoil
<i>Carbon Steel</i> Code C	10,000 PSI @ 200° F 8,000 PSI @ 450° F	Not Available.
<i>A105 Carbon Steel</i> Code P	10,000 PSI @ 200° F 8,000 PSI @ 450° F	6,000 PSI @ 200° F 1,500 PSI @ 800° F
<i>316 SS</i> Code S	10,000 PSI @ 200° F 8,000 PSI @ 450° F	6,000 PSI @ 200° F 1,500 PSI @ 1,000° F
See Page 5:	Chart D	Chart F