

ZipperClave®

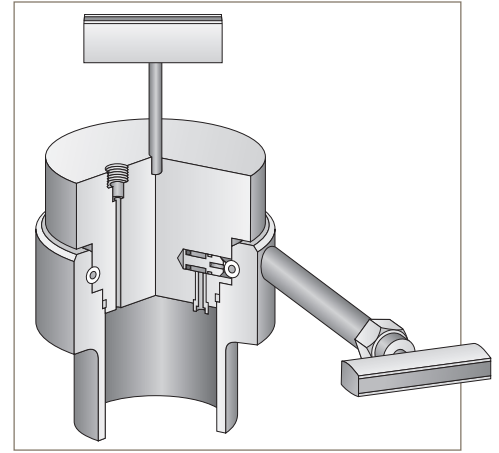
Pressure Vessel

Volume: 500 ml

Vessel MAWP*: 2,200 psi @ 450°F (151 bar @ 232°C)

Material of Construction: 316 Stainless Steel or all wetted parts

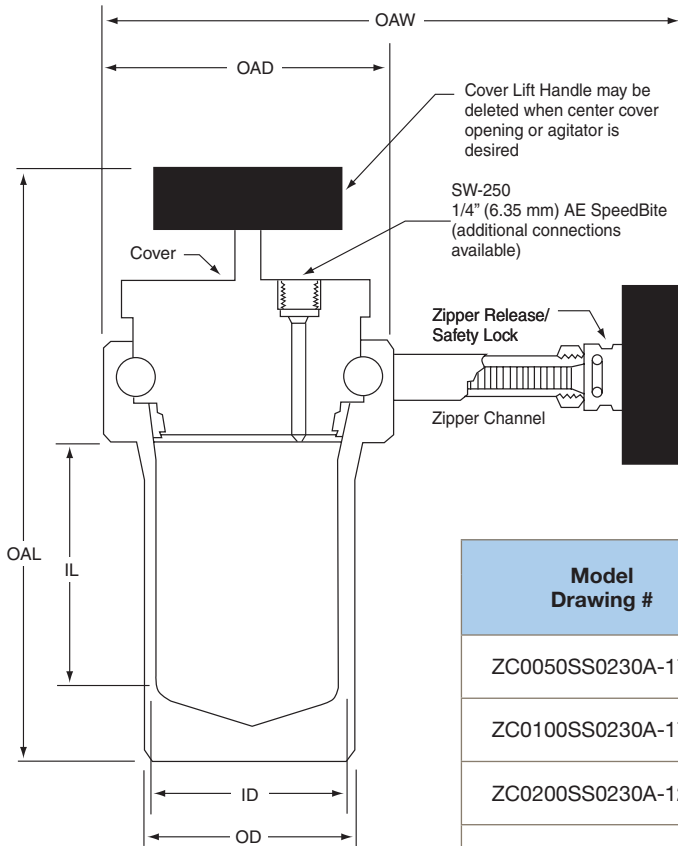
* Maximum Allowable Working Pressure



Principle of Operation:

The Zipper closure was developed for AE's Zipperclave® quick-opening, low pressure vessels. Closure is effected by a resilient spring member (the "Zipper") inserted through a circumferential groove in the body and cover. Simply release the safety sleeve and pull the Zipper to remove the cover. A quick release/safety lock and cover safety device are provided to ensure that the spring is fully inserted.

General Specifications:

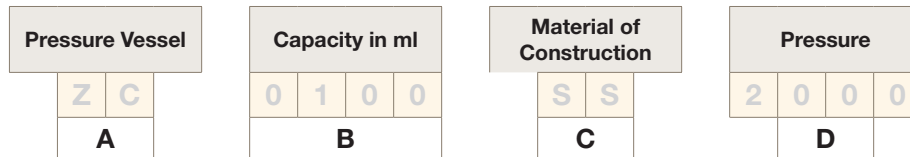


Model Drawing #	Nominal Capacity	Dimensions - inches (mm)					
		ID	OD	IL	OAL	OAW	Body OAD
ZC0050SS0230A-1732	500 ml	2.90" (74)	3.40" (86)	4.62" (117)	11.73" (298)	11.50" (292)	4.92" (125)
ZC0100SS0230A-1733	1,000 ml	2.90" (74)	3.40" (86)	9.62" (244)	16.73" (425)	11.50" (292)	4.92" (125)
ZC0200SS0230A-1227	2,000 ml	3.91" (99)	4.60" (117)	10.17" (258)	17.62" (448)	12.13" (308)	5.95" (151)
ZC0400SS0230A-1224	4,000 ml	4.91" (125)	5.70" (145)	12.82" (326)	20.75" (527)	12.88" (327)	7.00" (178)



ENGINEERING YOUR SUCCESS.

Ordering Guide:



Part Number Example: **ZC0100SS2000** (example selections indicated in yellow below)

A - Pressure Vessel	
ZC	ZipperClave

B - Capacity in ml	
0050	500 ml
0100	1000 ml
0200	2000 ml
0400	4000 ml

C - Material of Construction	
SS	316 Stainless Steel
HB	Hastelloy® B
HC	Hastelloy® C
TI	Titanium
MO	Monel
NI	Nickel

D - Pressure: psi (bar)	
2000	2000 (138)

NOTES:

HASTELLOY® is a registered trademark of Haynes International Inc.

Optional O-Ring Chart	
Material	Maximum Temperature
Buna N	250°F (121°C)
EPR	300°F (149°C)
Silicone	400°F (204°C)
* Viton®	450°F (232°C)
* PTFE Emcapsulated *Viton®	450°F (232°C)
* Kalrez®	500°F (260°C)

NOTES:

* Products are registered trademarks of Dupont Dow Elastomers.

Features and Available Options:

- Connection can be adapted to different sizes
- Multiple Connections
- Other Materials of construction
- Heaters and Furnaces
- Stand (Bench or Floor Style)
- Cooling and Heating Jackets
- Drain Valves
- Consult Factory to discuss your specific requirements

Supporting Information:

Please refer to the following sections of the catalog for complimentary products and additional technical details.

- **“MagneDrives®”** - (Agitation Section, Bulletin AG-SG)
- **“Controls”** - (Instrumentation Section, Bulletin IN-SG)
- **“Complete Systems”** - (Stirred Reactor Section, Bulletin SR-SG)
- **“Valves, Fittings, Tubing”** - (VFT Catalog, www.autoclave.com)

WARNING

FAILURE, IMPROPER SELECTION OR IMPROPER USE OF THE PRODUCTS AND/OR SYSTEMS DESCRIBED HEREIN OR RELATED ITEMS CAN CAUSE DEATH, PERSONAL INJURY AND PROPERTY DAMAGE.
 This document and other information from Parker Hannifin Corporation, its subsidiaries and authorized distributors provide product and/or system options for further investigation by users having technical expertise. It is important that you analyze all aspects of your application and review the information concerning the product or system in the current product catalog. Due to the variety of operating conditions and applications for these products or systems, the user, through its own analysis and testing, is solely responsible for making the final selection of the products and systems and assuring that all performance, safety and warning requirements of the application are met. The products described herein, including without limitation, product features, specifications, designs, availability and pricing, are subject to change by Parker Hannifin Corporation and its subsidiaries at any time without notice.

Offer of Sale

The items described in this document are available for sale by Parker Hannifin Corporation, its subsidiaries or its authorized distributors. Any sale contract entered by Parker will be governed by the provisions stated in Parker's standard terms and conditions of sale (copy available upon request).



Instrumentation Products Division
 Autoclave Engineers Operation
 8325 Hessinger Drive
 Erie, PA 16509-4679
 Tel: 814 860 5700 • Fax: 814 860 5718
www.AutoclaveEngineers.com

Caution! Do not mix or interchange component parts or tubing with those of other manufacturers. Doing so is unsafe and will void warranty.
Caution! Parker Autoclave Engineers Valves, Fittings, and Tools are not designed to interface with common commercial instrument tubing and are designed to only connect with tubing manufactured to Parker Autoclave Engineers AES specifications. Failure to do so is unsafe and will void warranty.

Bulletin PV-ZIP