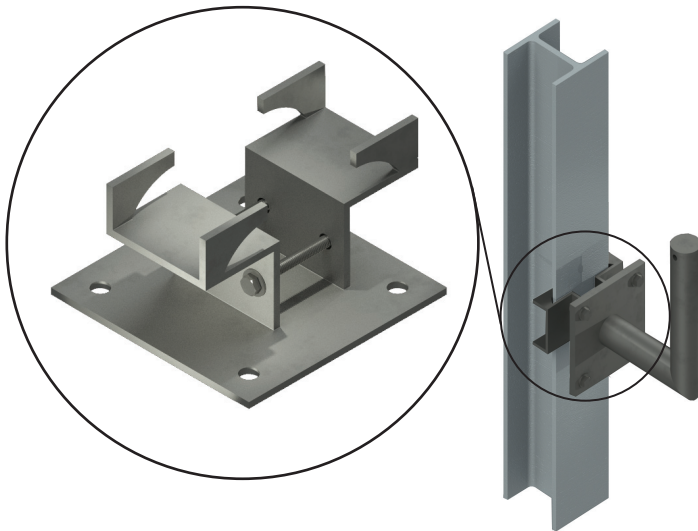


Leader in Instrumentation & Electrical Supports

Introducing Beam Mount Bracket

TechLine Mfg.'s beam mount brackets are ideal for mounting instrument stands, light fixtures and other items to a structural beam without welding or drilling.



- Requires no welding for attachment.
- Accepts standard 8"x8" base plate. 5/8" diameter mounting holes on 6" centers.
- Fits beam widths from 4"-6" and 8"-10"
- Reduces field labor and cost
- Convenience of pre-fabricated brackets



Call or visit our website today to find out how our Beam Mount Bracket can provide solutions for you in the field.

...Supporting future industry today

www.techlinemfg.com 1-800-395-3369