



Technical Standards and Safety Authority  
 345 Carlingview Drive  
 Toronto, Ontario M9W 6N9  
 www.tssa.org

Show facsimile of manufacturer's logo or trademark, as it will appear on the fitting, in the space below



## STATUTORY DECLARATION Registration of Fittings

I, John D'Antonio Engineering Manager  
(Name and Position, e.g. President, Plant Manager, Chief Engineer)

of Parker Hannifin Corporation Industrial Gas Filtration and Generation Division  
(Name of Manufacturer)

Located at 242/260 Neck Road, Haverhill, MA, 01835, USA  
(Plant Address) (Telephone No.) (Fax No.)

do solemnly declare that the fittings listed hereunder, which are subject to the **Technical Standards and Safety Act**, Boilers and Pressure Vessels Regulation, comply with all of the requirements of

(Title of recognized North American Standard)

which specifies the dimensions, materials of construction, pressure/temperature ratings, identification marking the fittings and service;

or are not covered by the provisions of a recognized North American standard and are therefore manufactured to comply with ASME VIII-1, 2019 Ed. as supported by the attached data which identifies the dimensions, material of construction, pressure/temperature ratings and the basis for such ratings, the marking of the fitting for identification and service.

I further declare that the manufacture of these fittings is controlled by a quality system meeting the requirements of ISO 9001: 2015 which has been verified by the following authority, DNV GL.

The items covered by this declaration, for which I seek registration, are category E type fittings. In support of this application, the following information and/or test data are attached as follows:

Drawings: C-14081; C-14082; C-14083 & C-14084. Calculations: 16982c-1 and 16982c-2  
(drawings, calculations, test reports, etc.)

Declared before me at Haverhill in the STATE of MASS  
 the 21<sup>ST</sup> day of APRIL AD 2021.

**KAREN A. MAYER**  
 Notary Public, State of New Hampshire  
 My Commission expires August 28, 2024

Commissioner for Oaths:

Karen A Mayer  
(Printed name)  
Karen A Mayer  
(Signature)

John D'Antonio  
(Signature of Declarer)

### FOR OFFICE USE ONLY

To the best of my knowledge and belief, the application meets the requirements of the **Technical Standards and Safety Act**, Boilers and Pressure Vessels Regulation, and CSA Standard B51 and is accepted for registration in Category \_\_\_\_\_.

CRN: \_\_\_\_\_

Registered by: \_\_\_\_\_

Dated: \_\_\_\_\_

**NOTE: This registration expires on: MAY 27, 2031**

Technical Standards and Safety Authority
Boilers and Pressure Vessels Safety Program

REGISTERED

C.R.N.: 0E14530.5R1

Signed: [Signature]

Date: August 17, 2021.



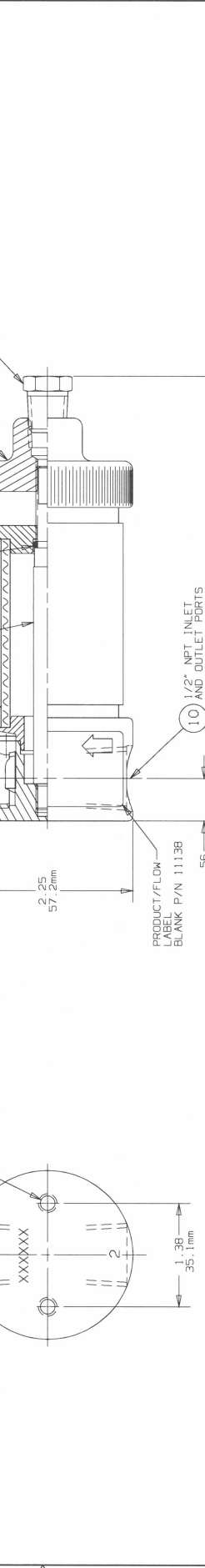
This Document has been digitally signed and approved. The stamp size has been optimized for 11 x 17 documents

4 PARTS LIST 3 LEGEND 2 1

NO.	DESCRIPTION	PART NO.	DWG NO.	MAT'L	QTY
1	HEAD ASSEMBLY	41165	B-14038	316 S.S.	1
2	SOUL	31160	B-14075	316 S.S.	1
3	BASE	41968	B-13849	316 S.S.	1
4	T. ROD	31962	B-14077	316 S.S.	1
5	ELEMENT RETAINER	41963	B-13950	316 S.S.	1
6	FILTER TUBE	100-12-(L)	----	----	2
7	O-RING (-223)	22130-2	----	VITON	2
8	O-RING (-010)	22181-1	----	VITON	1
9	PIPE PLUG	11925	A-11319	316 S.S.	1
10	THREAD PROTECTOR	21209	A-11862	PLASTIC	2
--	MOUNTING BRACKET KIT	11038	A-10235	STL/PLD	--

REV	ECN. NO.	DESCRIPTION	NAME	DATE
E		REVISED PER ECN	JD	10/10
F		REVISED NOTE 5	JD	02/11
G		PRESSURE RATING WAS 425 PSIG	JD	08/11
H		2019 WAS 2010	JD	04/21

**THIS IS PART OF CRN  
0E14530.5R1**  
Technical Standards and Safety Authority  
Boilers and Pressure Vessels Safety  
Program



SEAL SET NUMBER	MAT'L	CONSISTS OF
22141	BUNA	7 2 22141-1 8 1 22182
22142	VITON	7 2 22130-2 8 1 22181-1
22165	SILICONE	7 2 22165-1 8 1 22180
22166	TEFLON	7 2 22166-1 8 1 22166-2
22167	BUTYL	7 2 22167-1 8 1 22167-2
22168	EPR	7 2 22168-1 8 1 22168-2
22169	KALREZ	7 2 22169-1 8 1 22169-2

**REPLACEMENT SEAL SETS**

NOTES:

- ALL ASSEMBLY AND PACKAGING MUST BE PERFORMED IN ACCORDANCE WITH THE APPROPRIATE MANUFACTURING METHOD SHEET SPECIFIED FOR THIS ASSEMBLY.
- HOUSING TO BE SHIPPED WITH PLASTIC THREAD PROTECTORS (ITEM 10) INSTALLED.
- PRESSURE RATING: 355 psig (24 bar) AT 200° F (93° C).
- ALL O-RINGS TO BE LUBRICATED WITH APPROVED LUBRICANT.
- DESIGNED IN ACCORDANCE WITH ASME VIII DIV 1 2019 ED. HYDROTEST PRESSURE: 462 PSI PROGRAM ALLOWANCE: 0 DEFLECTION: NONE IMPACT TEST EXEMPT PER UHA-51(d)

THIS DOCUMENT CONTAINS INFORMATION THAT IS THE PROPERTY OF PARKER FILTRATION AND SEPARATION DIVISION ("PARKER"). THIS DOCUMENT IS FURNISHED ON THE UNDERSTANDING THAT THE DOCUMENT AND ANY PARTS THEREOF ARE TO BE USED ONLY FOR THE PURPOSES SPECIFIED HEREIN. NO OTHER RIGHTS ARE GRANTED BY THIS DOCUMENT. ANY REPRODUCTION OR TRANSMISSION OF THIS DOCUMENT WITHOUT THE WRITTEN PERMISSION OF PARKER FILTRATION AND SEPARATION DIVISION IS PROHIBITED. © 2019 PARKER FILTRATION AND SEPARATION DIVISION. ALL RIGHTS RESERVED.

THIRD ANGLE PROJECTION

TOLERANCES EXCEPT AS NOTED:  
 XX ±.015  
 XX ±.030mm  
 XXX ±.005  
 XX.XXmm ±.13mm  
 ANGULAR ±1°  
 SURFACE ROUGHNESS 63/ OR BETTER

REMOVE ALL BURRS AND SHARP EDGES.

SEE PARTS LIST

DATE: 01/18/92  
 DRAWN BY: PES  
 CHECKED BY: PES  
 ENG. APPROV.: PES

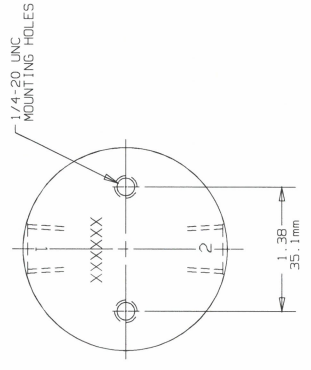
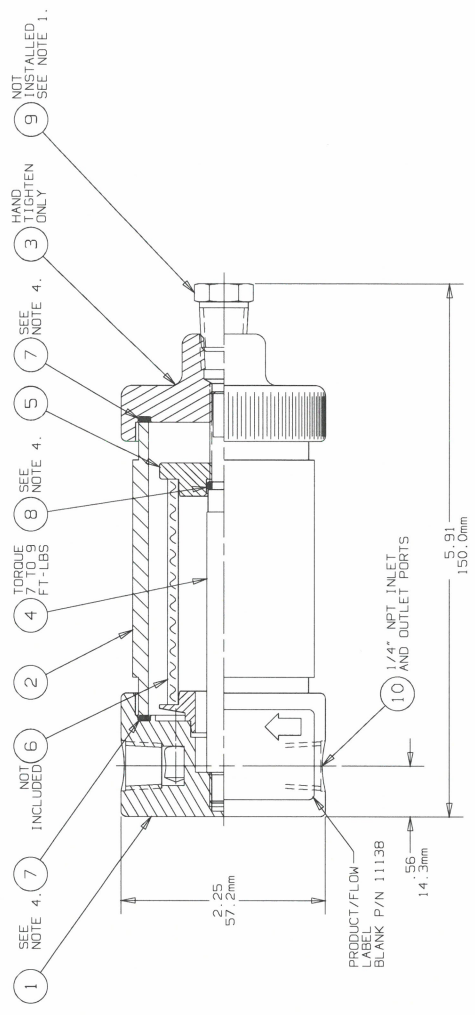
Parker Hannifin Corporation  
 Filtration and Separation Division  
**Parker Filtration**  
 TITLE: FILTER HOUSING  
 MODEL NO.: 3156  
 SCALE: 1:1  
 SHEET: 1 OF 1  
 DWG. NO.: C-14083

4 PARTS LIST 3 LEGEND 2 1

NO.	DESCRIPTION	PART NO.	DWG NO.	MATL	QTY	REV	ECN NO.	DESCRIPTION	NAME	DATE
1	HEAD ASSEMBLY	41165-1/4	B-14071	316 S.S.	1	F		REVISED NOTE 5	JD	02/11
2	BOWL	31160	B-14075	316 S.S.	1	G		REVISED NOTE 5	JD	03/11
3	BASE	41968	B-13949	316 S.S.	1	H		PRESSURE RATING WAS 425 PSIG	JD	08/11
4	ITEROD	31962	B-14077	316 S.S.	1	J		2019 WAS 2010	JD	04/21
5	ELEMENT RETAINER	41963	B-13950	316 S.S.	1					
6	FILTER TUBE	100-12-(1)	-----	-----	--					
7	O-RING (-223)	22130-2	-----	VITON	2					
8	O-RING (-010)	22181-1	-----	VITON	1					
9	PIPE PLUG	11925	A-11319	316 S.S.	1					
10	THREAD PROTECTOR	21208	A-11862	PLASTIC	2					
--	MOUNTING BRACKET KIT	11038	A-10235	STL/PLD	--					

**THIS IS PART OF CRN  
0E14530.5R1**  
Technical Standards and Safety Authority  
Boilers and Pressure Vessels Safety  
Program

☒ = REPLACABLE PARTS  
☐ = OPTIONAL PARTS  
( ) = INDICATE FILTER TUBE GRADE (BH OR DH)



SEAL NUMBER	MAT'L	CONSISTS OF
22141	BUINA	7 22141-1 8 22182
22142	VITON	7 22130-2 8 22181-1
22165	SILICONE	7 22165-1 8 22180
22166	TEFLON	7 22165-1 8 22167-1
22167	BUTYL	7 22167-2 8 22168-1
22168	EPR	7 22168-1 8 22169-1
22169	KALREZ	7 22169-1 8 22169-2

REPLACEMENT SEAL SETS	NO.	QTY	PART NO.
22141	7	2	22141-1
22142	8	1	22182
22165	7	2	22130-2
22166	8	1	22181-1
22167	7	2	22165-1
22168	8	1	22180
22169	7	2	22165-1
22169	8	1	22167-1
22169	7	2	22167-2
22169	8	1	22168-1
22169	7	2	22168-2
22169	8	1	22169-1
22169	7	2	22169-2

REVISIONS	REV	ECN NO.	DESCRIPTION	NAME	DATE
	F		REVISED NOTE 5	JD	02/11
	G		REVISED NOTE 5	JD	03/11
	H		PRESSURE RATING WAS 425 PSIG	JD	08/11
	J		2019 WAS 2010	JD	04/21

<p><b>Parker Filtration</b></p> <p>Parker Hannifin Corporation Filtration and Separation Division BALSTON®</p>	<p>DATE: 01/18/92</p> <p>ENG. APVD.: PES</p> <p>CH-40 BY: PES</p> <p>DATE: 01/18/92</p> <p>DATE: 01/18/92</p>	<p>TOLERANCES EXCEPT AS NOTED</p> <p>XX ±.015</p> <p>XX ±.30mm</p> <p>XXX ±.005</p> <p>XX.XXmm ±.13mm</p> <p>ANGULAR ±1°</p> <p>63/ SURFACE ROUGHNESS OR BETTER</p>	<p>THIRD ANGLE PROJECTION</p> <p>THIS DOCUMENT CONTAINS INFORMATION THAT IS CONFIDENTIAL AND PROPRIETARY TO PARKER. THIS DOCUMENT IS LOANED ON THE UNDERSTANDING THAT THE RECIPIENT WILL NOT DISSEMINATE, REPRODUCE, OR COPY THE INFORMATION CONTAINED HEREIN FOR ANY PURPOSE OTHER THAN CONDUCTING BUSINESS WITH PARKER. AND WILL BE RETURNED AND ALL INFORMATION CONTAINED HEREIN DESTROYED 15 (FIFTEEN) YEARS INDICATED ON THIS DOCUMENT. ALL RIGHTS RESERVED.</p>	<p>TITLE: FILTER HOUSING</p> <p>MODEL NO.: 3156-1/4</p> <p>SCALE: 1:1</p> <p>SHEET: 1 OF 1</p> <p>P/N: 3156-1/4</p> <p>DWG NO.: C-14084</p>
--	---	---	---	---

NOTES:

- ALL ASSEMBLY AND PACKAGING MUST BE PERFORMED IN ACCORDANCE WITH THE APPROPRIATE MANUFACTURING METHOD SHEET SPECIFIED FOR THIS ASSEMBLY.
- HOUSING TO BE SHIPPED WITH PLASTIC THREAD PROTECTORS (ITEM 10) INSTALLED.
- PRESSURE RATING: 355 psig (24 bar) AT 200° F (93° C).
- ALL O-RINGS TO BE LUBRICATED WITH APPROVED LUBRICANT.
- DESIGNED TO ASME VIII DIV 1 2019 ED.
- NOMINAL TEST PRESSURE: 462 PSI
- MAXIMUM ALLOWABLE WORKING PRESSURE: 0
- CORROSION ALLOWANCE: 0
- NOE: NONE
- IMPACT TEST EXEMPT PER UHA-51(d)



4 PARTS LIST 3 LEGEND 2 1

NO.	DESCRIPTION	PART NO.	DWG NO.	MAT'L	QTY
1	HEAD ASSEMBLY	41165	B-14038	316 S.S.	1
2	BDML	41160	B-14076	316 S.S.	1
3	BASE	41968	B-13949	316 S.S.	1
4	THEROD	31962	B-13948	316 S.S.	1
5	ELEMENT RETAINER	41963	B-13950	316 S.S.	1
6	FILTER TUBE	100-25(-1)	-----	-----	--
7	O-RING (-223)	22130-2	-----	VITON	2
8	O-RING (-010)	22181-1	-----	VITON	1
9	PIPE PLUG	11925	A-11319	316 S.S.	1
10	THREAD PROTECTOR	21209	A-11862	PLASTIC	2
--	MOUNTING BRACKET KIT	11038	A-10235	STL/PLD	--

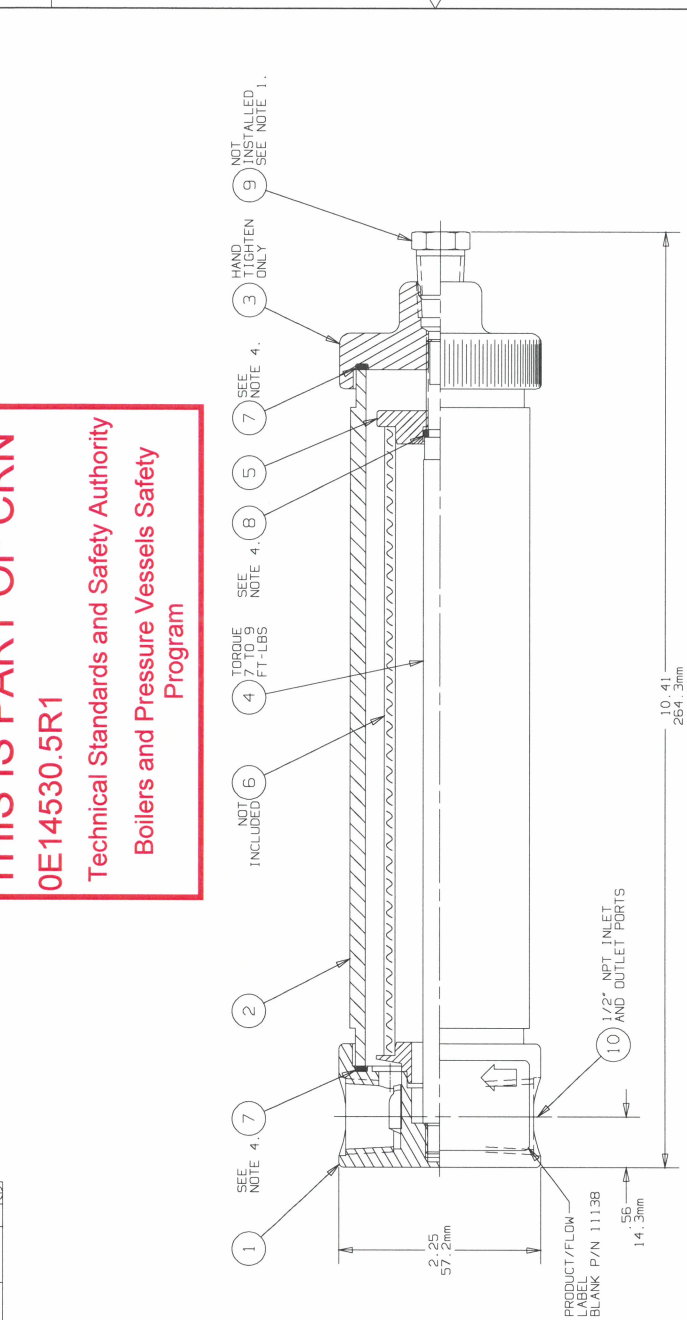
REV	ECN NO.	DESCRIPTION	NAME	DATE
E		REVISED PER ECN	JD	10/10
F		REVISED NOTE 5	JD	02/11
G		REVISED NOTE 5	JD	03/11
H		2019 WAS 2010	JD	04/21

REVISIONS

☒ = REPLACEABLE PARTS  
 ☒ = OPTIONAL PARTS  
 [ ] = INDICATE FILTER TUBE GRADE (BH OR DH)

**THIS IS PART OF CRN  
 0E14530.5R1**

Technical Standards and Safety Authority  
 Boilers and Pressure Vessels Safety  
 Program



REPLACEMENT SEAL SETS	SEAL SET NUMBER	MAT'L	NO.	QTY	PART NO.
	22141	BUINA	7	2	22141-1
	22142	VITON	7	2	22130-2
	22165	SILICONE	7	2	22165-1
	22166	TEFLON	7	2	22166-1
	22167	BUTYL	7	2	22167-2
	22168	EPR	7	2	22168-2
	22169	KALREZ	7	2	22169-2

TOLERANCES EXCEPT AS NOTED	±.015 ±.38mm	DATE: 06/21/91
THIRD ANGLE PROJECTION	±.005 ±.13mm	DATE: 06/21/91
THIS DRAWING CONTAINS INFORMATION THAT IS CONFIDENTIAL AND PROPRIETARY TO PARKER FILTRATION AND PROTECTION. THIS INFORMATION IS FURNISHED ON THE BASIS OF A CONFIDENTIALITY AGREEMENT. ANY DISCLOSURE OR REPRODUCTION OF THIS INFORMATION TO OTHERS OR FOR ANY PURPOSE OTHER THAN CONDUCTING BUSINESS WITH PARKER FILTRATION AND PROTECTION IS STRICTLY PROHIBITED. PARKER FILTRATION AND PROTECTION IS THE REGISTERED TRADEMARK OF PARKER FILTRATION AND PROTECTION. ALL RIGHTS RESERVED.	ANGULAR ±1°	DATE: 06/21/91
REMOVE ALL BURRS AND SHARP EDGES.	63/ SURFACE ROUGHNESS OR BETTER	DATE: 06/21/91

FINISH:	MODEL NO.:	41S6
SCALE:	SHEET:	1 OF 1
DWG. NO.:	T/P/N:	41S6 C-14081

NOTES:

- ALL ASSEMBLY AND PACKAGING MUST BE PERFORMED IN ACCORDANCE WITH THE APPROPRIATE MANUFACTURING METHOD SHEET SPECIFIED FOR THIS ASSEMBLY.
- HOUSING TO BE SHIPPED WITH PLASTIC THREAD PROTECTORS (ITEM 10), INSTALLED.
- PRESSURE RATING: 250 psig (17 bar) AT 200° F (93° C).
- ALL O-RINGS TO BE LUBRICATED WITH APPROVED LUBRICANT.
- DESIGNED TO ASME VIII DIV. 1 2019 ED.
- HYDROTEST PRESSURE: 325 PSI
- CORROSION ALLOWANCE: 0
- IMPACT TEST EXEMPT UHA-51(6)

Parker Hannifin Corporation  
 Filtration and Protection  
 Parker Filtration

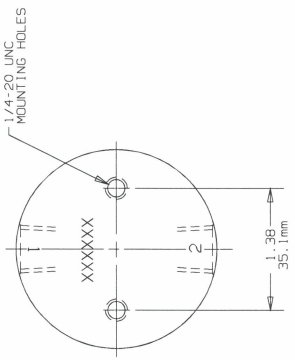
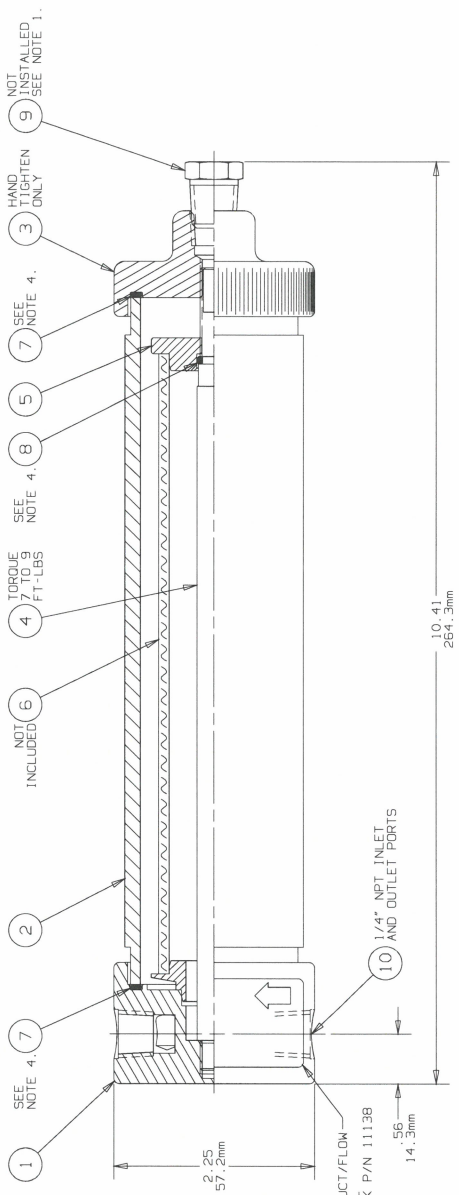


REV	ECN. NO.	DESCRIPTION	NAME	DATE
E		REVISED PER EGN	JD	10/10
F		REVISED NOTE 5	JD	02/11
G		REVISED NOTE 5	JD	03/11
H		2019 WAS 2010	JD	04/21

NO.	DESCRIPTION	PART NO.	DWG NO.	MAT'L	QTY
1	HEAD ASSEMBLY	41165-1/4	B-14071	316 S.S.	1
2	BOWL	41160	B-14076	316 S.S.	1
3	BASE	41968	B-13949	316 S.S.	1
4	TIER ROD	41962	B-13948	316 S.S.	1
5	ELEMENT RETAINER	41963	B-13950	316 S.S.	1
6	FILTER TUBE	100-25-1	-----	-----	--
7	O-RINGS (-223)	22130-2	-----	VITON	2
8	O-RINGS (-010)	22181-1	-----	VITON	1
9	PIRE PLUG	11925	A-11319	316 S.S.	1
10	THREAD PROTECTOR	21208	A-11862	PLASTIC	2
--	MOUNTING BRACKET KIT	11038	A-10235	STL/PLD	--

NO.	DESCRIPTION	PART NO.	DWG NO.	MAT'L	QTY
1	HEAD ASSEMBLY	41165-1/4	B-14071	316 S.S.	1
2	BOWL	41160	B-14076	316 S.S.	1
3	BASE	41968	B-13949	316 S.S.	1
4	TIER ROD	41962	B-13948	316 S.S.	1
5	ELEMENT RETAINER	41963	B-13950	316 S.S.	1
6	FILTER TUBE	100-25-1	-----	-----	--
7	O-RINGS (-223)	22130-2	-----	VITON	2
8	O-RINGS (-010)	22181-1	-----	VITON	1
9	PIRE PLUG	11925	A-11319	316 S.S.	1
10	THREAD PROTECTOR	21208	A-11862	PLASTIC	2
--	MOUNTING BRACKET KIT	11038	A-10235	STL/PLD	--

**THIS IS PART OF CRN**  
**0E14530.5R1**  
 Technical Standards and Safety Authority  
 Boilers and Pressure Vessels Safety  
 Program



SEAL SET NUMBER	MAT'L	CONSISTS OF	
		NO.	QTY
22141	BUNA	7	2
22142	VITON	7	2
22165	SILICONE	7	2
22166	TEFLON	7	2
22167	BUTYL	7	2
22168	EPR	7	2
22169	KALREZ	7	2

NOTES:

- ALL ASSEMBLY AND PACKAGING MUST BE PERFORMED IN ACCORDANCE WITH THE APPROPRIATE MANUFACTURING METHOD SHEET SPECIFIED FOR THIS ASSEMBLY.
- HOUSING TO BE SHIPPED WITH PLASTIC THREAD PROTECTORS (ITEM 10) INSTALLED.
- PRESSURE RATING: 250 psig (17 bar) AT 200° F (93° C).
- ALL O-RINGS TO BE LUBRICATED WITH APPROVED LUBRICANT.
- DESIGNED TO AMSE VIII DIV 1 2019 ED.  
HYDROTEST PRESSURE: 325 PSI  
CORROSION ALLOWANCE: 0  
NOTE: NONE  
IMPACT TEST: EXEMPT PER UHA-51(d)

**Parker Filtration**  
 Parker Hannifin Corporation  
 Filtration and Separation Division

DATE: 01/18/92  
 DRAWN BY: PES  
 MAT'L: 4156-1/4

TITLES: FILTER HOUSING  
 FINISH: 4156-1/4

SCALE: 1:1  
 SHEET: 1 OF 1

MODEL NO.: 4156-1/4  
 DWG. NO.: C-14082

REPLACEMENT SEAL SETS	THIRD ANGLE PROJECTION	TOLERANCES EXCEPT AS NOTED
±.015	XX ±.015	XX ±.015
±.005	XX ±.005	XX ±.005
±.13mm	XX ±.13mm	XX ±.13mm
ANGULAR ±.1°	63 SURFACES OR BETTER	REMOVE ALL BURRS AND SHARP EDGES.

THIS DOCUMENT CONTAINS INFORMATION THAT IS CONFIDENTIAL AND PROPRIETARY TO PARKER FILTRATION AND SEPARATION DIVISION. THE INFORMATION CONTAINED HEREIN IS UNCLASSIFIED EXCEPT WHERE SHOWN OTHERWISE. ANY DISCLOSURE OF THIS INFORMATION TO OTHERS WITHOUT THE WRITTEN PERMISSION OF PARKER FILTRATION AND SEPARATION DIVISION IS STRICTLY PROHIBITED. ALL RIGHTS RESERVED.