



14th Floor, Centre Tower
3300 Bloor Street West
Toronto, Ontario
Canada M8X 2X4
Tel.: 416.734.3300
Fax: 416.231.1626
Toll Free: 1.877.682.8772

www.tssa.org

February 03, 2015

CATHERINE DIPLOCK
PRESSURE VESSEL ENGINEERING LTD.
120 RANDALL DR SUITE B
WATERLOO ON N2V 1C6
CA

Service Request Type: BPV-Fitting Registration
Service Request No.: 1533550
Your Reference No.: PVE-8463
Registered to: PARKER-HANNIFIN CORPORATION

Dear CATHERINE DIPLOCK,

Technical Standards and Safety Authority (TSSA) is pleased to inform you that your submission has been reviewed and registered as follows:

CRN No.: 0E17444.5
Main Design No.: C-12068 REV. J & C-12703 REV. F
Expiry Date: 03-Feb-2025

Please be advised that a valid quality control system must be maintained for the fitting registration to remain valid until the expiry date.

The stamped copy of the approved registration and the invoice are mailed separately. Should you have any questions or require further assistance, please contact a Customer Service Advisor at 1.877.682.TSSA (8772) or e-mail customerservices@tssa.org. We will be happy to assist you. When contacting TSSA regarding this file, please refer to the Service Request number provided above.

Yours truly,

Wendy Du, P.Eng.
Technical Standards & Safety Authority
Boilers & Pressure Vessels Safety Program
Tel.: 416-734-3566
Fax: 416-231-6183
Email: wdu@tssa.org



TECHNICAL STANDARDS & SAFETY AUTHORITY
 14th Floor, Centre Tower
 3300 Bloor Street West
 Toronto, Ontario
 Canada M8X 2X4

Show facsimile of manufacturer's logo or trademark, as it will appear on the fitting, in the space below



STATUTORY DECLARATION Registration of Fittings

I, John D'Antonio
(Name and Position, e.g. President, Plant Manager, Chief Engineer)

of Parker Hannifin Corp, Filtration and Separation Division
(Name of Manufacturer)

Located at 260 Neck Rd., Haverhill, MA, USA 800-343-4048
(Plant Address) (Telephone No.) (Fax No.)

do solemnly declare that the fittings listed hereunder, which are subject to the **Technical Standards and Safety Act**, Boilers and Pressure Vessels Regulation, comply with all of the requirements of

(Title of recognized North American Standard)
 which specifies the dimensions, materials of construction, pressure/temperature ratings, identification marking the fittings and service;

or are not covered by the provisions of a recognized North American standard and are therefore manufactured to comply with ASME section VIII-1 _____ as supported by the attached data which identifies the dimensions, material of construction, pressure/temperature ratings and the basis for such ratings, the marking of the fitting for identification and service.

I further declare that the manufacture of these fittings is controlled by a quality system meeting the requirements of ISO 9001 which has been verified by the following authority, Det Norske Veritas.

The items covered by this declaration, for which I seek registration, are category E, models 95S6 and 95S6-1/4 type fittings. In support of this application, the following information and/or test data are attached as follows:
drawings C-12703 rev F and C-12068 rev J, calculations and burst test data
(drawings, calculations, test reports, etc.)

Declared before me at Haverhill in the STATE of Mass
 the 19th day of September AD 20 14.

Commissioner for Oaths:
KAREN A. Mayer
(Printed name)
Karen A. Mayer
(Signature)

John D'Antonio
(Signature of Declarer)

FOR OFFICE USE ONLY

To the best of my knowledge and belief, the application meets the requirements of the **Technical Standards and Safety Act**, Boilers and Pressure Vessels Regulation, and CSA Standard B51 and is accepted for registration in Category E.

CRN: OE 17444.5

Registered by: Wendy Gu

Dated: Feb. 03, 2015

NOTE: This registration expires on: Feb. 03, 2025

Technical Standards and Safety Authority

Boilers and Pressure Vessels Safety Program

REGISTERED

CRN: OE 17444.5

Signed: Wendy Gu

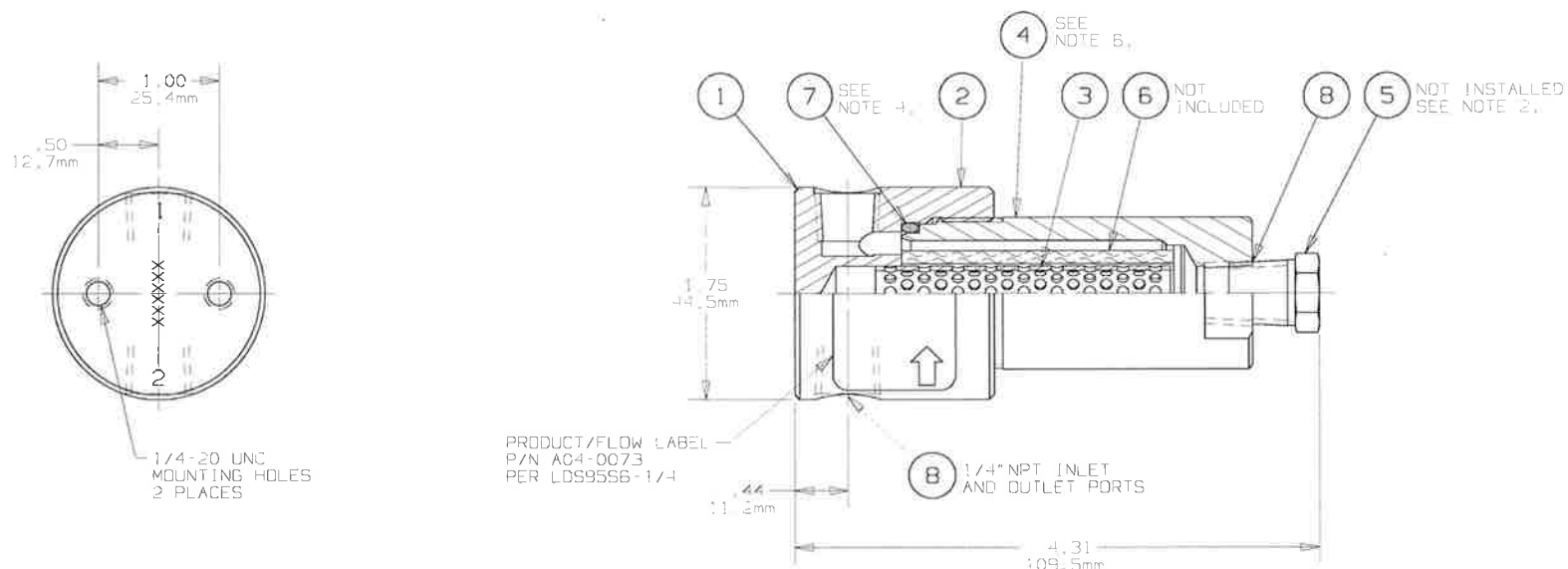
Date: Feb. 03, 2015

PARTS LIST						
NO.	DESCRIPTION	PART NO.	DWG NO.	MATL	QTY	☒/☐
1	HEAD SUB-ASSEMBLY	95601-1/4	A-1206H	316 ST. STL.	1	☒
2	HEAD	95605-1/4	C-1195B	ASME SA-478 ASTM A-478 (316 ST. STL.)	*	☒
3	SUPPORT CORE	SS-050-11	A-1217B	316 ST. STL.	*	☒
4	BOWL	95600-1/4	C-11411	ASME SA-478 ASTM A-478 (316 ST. STL.)	1	☒
5	PIPE PLUG	11925	A-11319	316 ST. STL.	1	☒
6	FILTER TUBE	050-11-11	*****	*****	1	☒
7	O-RING (-120)	22913-1	*****	VITON	1	☒
8	THREAD PROTECTOR	2120B	A-11862	PLASTIC	3	☒
9	MOUNTING BRACKET *IT	1103B	A-10235	STL/PLD	1	☐

LEGEND

- ☒ = REPLACEABLE PARTS
- ☐ = OPTIONAL PARTS
- [] = INDICATE FILTER GRADE (BX OR DX)
- * = INCLUDED IN AUTOMATIC DRAIN

REVISIONS				
REV	ECN, NO.	DESCRIPTION	NAME	DATE
1		ADDED NOTE 7	JG	09/14



- NOTES:
- OPTIONAL MOUNTING BRACKET KIT P/N 1103B CONTAINS BRACKET AND TWO MOUNTING SCREWS.
 - ALL ASSEMBLY AND PACKAGING MUST BE PERFORMED IN ACCORDANCE WITH THE APPROPRIATE MANUFACTURING METHOD SHEET SPECIFIED FOR THIS ASSEMBLY.
 - HOUSINGS TO BE SHIPPED WITH PLASTIC THREAD PROTECTORS (ITEM 8) INSTALLED.
 - ALL O-RINGS TO BE LUBED WITH APPROVED LUBRICANT ONLY.
 - MAX. PRESSURE RATING: 5000 psig (345 barg) AT 200°F (93°C).
 - PTFE THREAD LUBRICANT MUST BE APPLIED TO BOWL (ITEM 4) PRIOR TO ASSEMBLING WITH HEAD ASSY. (ITEM 1).
 - DESIGNED JAW ASME SEC VIII DIV 3 2013 ED MDMT = 20F HYDROTEST PRESSURE: 6500 PSIG CORROSION ALLOWANCE: 0 FOR NON-CORROSIVE SERVICE NDE: NONE IMPACT TEST EXEMPT PER UHA-51(d) PWHT: NONE

REPLACEMENT SEAL SETS				
SEAL SET NUMBER	MAT'L	CONSISTS OF		
		NO.	QTY	PART NO.
22911	SILICONE	7	1	22911-1
22912	BUNA	7	1	22912-1
22913	VITON	7	1	22913-1
22914	EPR	7	1	22914-1
22915	NEOPRENE	7	1	22915-1
22918	TEFLON	7	1	22918-1
22976	INVAR	7	1	22976-1

THIRD ANGLE PROJECTION 	TOLERANCES EXCEPT AS NOTED .XX X.Xmm ±.015 ±.38mm .XXX XX.XXmm ±.005 ±.13mm ANGULAR ±1° 63 SURFACE ROUGHNESS OR BETTER REMOVE ALL BURRS AND SHARP EDGES.	ENG. APVD: _____ DATE: _____ CH'D BY: _____ DATE: _____ DRAWN BY: PES 04/05/02 MAT'L: SEE PARTS LIST	Parker Filtration Filtration and Separation Division Trumbull, Massachusetts USA BALSTON
		TITLE: FILTER HOUSING MODEL NO.: 95S6-1/4 SCALE: 1 : 1 SHEET: 1 OF 1 P/N: SEE TABLE DWG NO.: C-12068	

SEE NOTE 2	95S6-1/4	AS PACKAGED
	95S6-1/4-1	AS ASSEMBLED
	PART NO.	DESCRIPTION

PARTS LIST							
NO.	DESCRIPTION	PART NO.	DWG NO.	MATL	QTY	⊗	⊕
1	HEAD SUB-ASSEMBLY	95601-1/8	A-12700	316 ST. STL.	1	⊗	⊕
2	HEAD	95605-1/8	C-12701	ASME SA-378 ASTM A479 (316 ST. STL.)	*	⊗	⊕
3	SUPPORT CORE	SS-050-11	A-12176	316 ST. STL.	*	⊗	⊕
4	BOWL	95600	C-11960	ASME SA-478 ASTM A479 (316 ST. STL.)	1	⊗	⊕
5	PIPE PLUG	11929	A-11319	316 ST. STL.	1	⊗	⊕
6	FILTER TUBE	050-11-[]	*****	*****	-	⊗	⊕
7	O-RING (#120)	22913-1	*****	VITON	1	⊗	⊕
8	THREAD PROTECTOR	21207	A-11862	PLASTIC	3	⊗	⊕
-	MOUNTING BRACKET KIT	11038	A-10235	STL/PLD	-	⊗	⊕

LEGEND

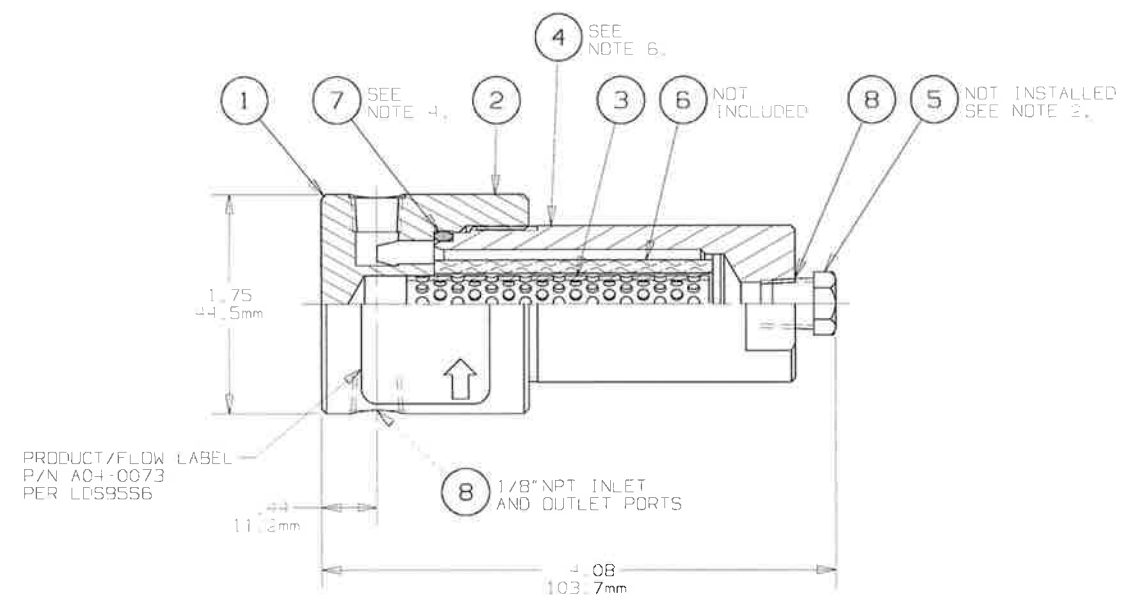
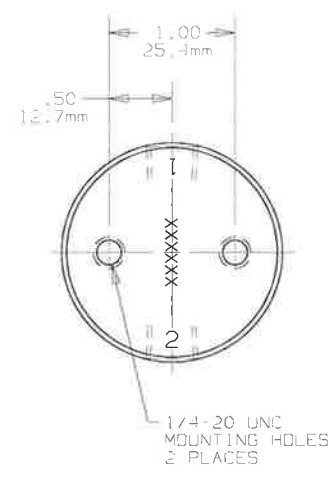
⊗ = REPLACEABLE PARTS

⊕ = OPTIONAL PARTS

[] = INDICATE FILTER GRADE (BX OR DX)

* = INCLUDED IN AUTOMATIC DRAIN

REVISIONS				
REV	ECN. NO.	DESCRIPTION	NAME	DATE
F		ADDED NOTE 7	JD	09/14



- NOTES:
- OPTIONAL MOUNTING BRACKET KIT P/N 11038 CONTAINS BRACKET AND TWO MOUNTING SCREWS.
 - ALL ASSEMBLY AND PACKAGING MUST BE PERFORMED IN ACCORDANCE WITH THE APPROPRIATE MANUFACTURING METHOD SHEET SPECIFIED FOR THIS ASSEMBLY.
 - HOUSINGS TO BE SHIPPED WITH PLASTIC THREAD PROTECTORS (ITEM 8) INSTALLED.
 - ALL O-RINGS TO BE LUBED WITH APPROVED LUBRICANT ONLY.
 - MAX. PRESSURE RATING: 5000 psig (345 barg) AT 200°F (93°C).
 - PTFE THREAD LUBRICANT MUST BE APPLIED TO BOWL (ITEM 4) PRIOR TO ASSEMBLING WITH HEAD ASSY. (ITEM 1).
 - DESIGNED IAW ASME SEC VIII DIV 1 2013 ED MDMT -20F HYDROTEST PRESSURE: 6500 PSIG CORROSION ALLOWANCE: 0 FOR NON-CORROSIVE SERVICE NDE: NONE IMPACT TEST EXEMPT PER UHA-51(d) PWHT: NONE

REPLACEMENT SEAL SETS				
SEAL SET NUMBER	MAT'L	CONSISTS OF		
		NO.	QTY	PART NO.
22911	SILICONE	7	1	22911-1
22912	BUNA	7	1	22912-1
22913	VITON	7	1	22913-1
22914	EPR	7	1	22914-1
22915	NEOPRENE	7	1	22915-1
22918	TEFLON	7	1	22918-1
22976	NALREZ	7	1	22976-1

THIRD ANGLE PROJECTION

THIS DOCUMENT CONTAINS INFORMATION THAT IS CONFIDENTIAL AND PROPRIETARY TO PARKER FILTRATION AND SEPARATION DIVISION ("PARKER"). THIS DOCUMENT IS FURNISHED ON THE UNDERSTANDING THAT THE DOCUMENT AND THE INFORMATION IT CONTAINS WILL NOT BE COPIED OR DISCLOSED TO OTHERS OR USED FOR ANY PURPOSE OTHER THAN CONDUCTING BUSINESS WITH PARKER, AND WILL BE RETURNED AND ALL FURTHER USE DISCONTINUED UPON REQUEST BY PARKER. COPYRIGHT PARKER, YEAR OF COPYRIGHT IS FIRST YEAR INDICATED ON THIS DOCUMENT ALL RIGHTS RESERVED.

TOLERANCES EXCEPT AS NOTED	
XX	±.015
X.Xmm	±.38mm
XXX	±.005
XX.XXmm	±.13mm
ANGULAR ±1°	
63/ SURFACE ROUGHNESS OR BETTER	
REMOVE ALL BURRS AND SHARP EDGES.	

ENG. APVD.:	DATE:
CHKD BY:	DATE:
DRAWN BY:	DATE:
MAT'L:	
SEE PARTS LIST	

9556	AS PACKAGED
9556-1	AS ASSEMBLED
PART NO.	DESCRIPTION
FILTER HOUSING	
FINISH:	MODEL NO.:
-----	9556
SCALE:	SHEET:
1 : 1	1 OF 1
P/N:	DWG. NO.:
SEE TABLE	C-12703