

## Type 1001T Panel Gauge



### FEATURES

- Available in 1½", 2", 2½" and 3½" dial sizes
- Standard panel-mounting with U-clamp design — front flange mounting available for 2" and 2½" gauges
- Attractively designed ¼ turn polycarbonate window for better visibility and easy removal
- Patented PowerFlex™ movement with polyester segment
- True Zero™ indication, a unique safety feature

Ashcroft® panel gauges offer attractive design, excellent readability and a variety of dial sizes with a broad pressure range selection.

These gauges utilize a U-clamp mounting design. An optional front flange mounting design is available in 2" and 2½" gauges.

Ashcroft panel gauges are available in a black steel case with a ¼-turn threaded polycarbonate window.

The patented Ashcroft PowerFlex™ movement incorporated in these gauges resists the effects of shock, pulsation and vibration.

True Zero™ indication, a unique safety feature standard on these gauges, is the accurate indication of zero pressure being applied to the gauge. In addition to the increased safety benefits, this means reduced inspection and manufacturing costs for you or your customer.

### COMMONLY USED ON

*Instrument panels, air conditioning equipment, air and gas dryers, compressors, pressure test stands, machine tools, a variety of other applications*

### PRODUCT SPECIFICATIONS

Ashcroft® Model No.: 1001T

<b>Size:</b>	1½", 2", 2½", 3½"
<b>Case:</b>	Black-painted steel
<b>Mounting:</b>	U-clamp (UC)
<b>Window:</b>	¼-turn threaded polycarbonate
<b>Dial:</b>	Black figures on white background, aluminum
<b>Pointer:</b>	Black, aluminum
<b>Bourdon Tube:</b>	C-shape bronze (2"–3½", vacuum–600 psi and compound; 1½", vacuum–1000 psi) Helical bronze (2"–3½", 1000–6000 psi)
<b>Movement:</b>	Patented PowerFlex™ with polyester segment
<b>Socket:</b>	Brass
<b>Restrictor:</b>	.013" orifice throttle plug in gauges 1000 psi and above.
<b>Connections:</b>	½ NPT and ¼ NPT Back 1½" not available in ¼ NPT
<b>Ranges:</b>	Vacuum-6000 psi and compound (1½" available in Vacuum - 1000 psi only)
<b>Accuracy:</b>	ASME B40.100, Grade B, ±3-2-3%
<b>Operating Temperature:</b>	–40° F to 150° F –40° C to 65° C

### OPTIONAL FEATURES

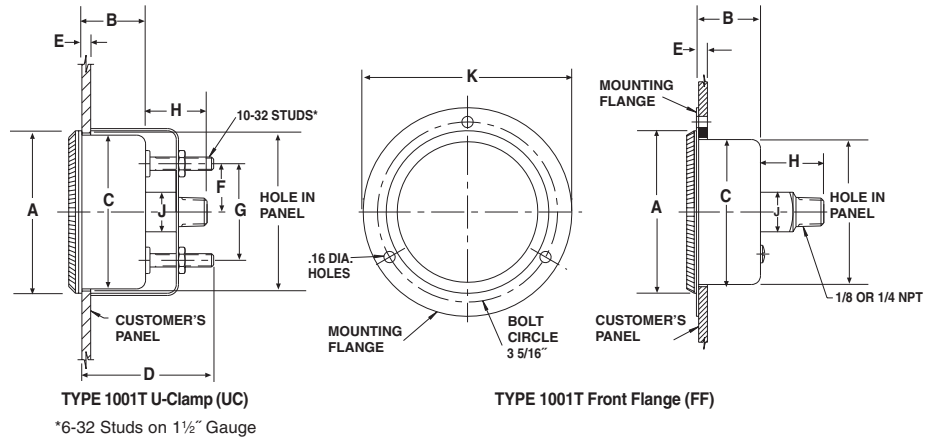
<b>Case:</b>	Vent hole (VH)
<b>Mounting:</b>	Front flange (FF) (available in 2" and 2½" only)
<b>Window:</b>	Simulated chrome trim (KL)
<b>Pointer:</b>	Adjustable (AP) Min-Max (EP)
<b>Socket:</b>	Nonstandard length or thread Throttle plugs – 0.007", 0.013", 0.020", and 0.063" orifices Teflon taped (TC)
<b>Others:</b>	Bulk pack (ZO), customized dials, nonstandard ranges, special calibration on application FlutterGuard™

### HOW TO ORDER (Typical example)

		20	W	1001	T	H	02B	XUC	100#
<b>Dial Size:</b> 2"									
<b>Movement:</b> Patented PowerFlex™									
<b>Case Type Number:</b> 1001									
<b>Window:</b> ¼ Turn									
<b>Connection Material:</b> Brass									
<b>Connection Size/Location:</b> ¼ NPT Back									
<b>Option:</b> U Clamp Assembly									
<b>Range:</b> 100 psi									

# Type 1001T Panel Gauge

## DIMENSIONS



Case Type 1001T (UC)												
INCHES MM	A	B	C	D	E	F	G	H	J	K	L	Conn. NPT
1 1/2"	1.85 (47)	0.85 (22)	1.60 (41)	1.23 (31)	0.13 (3)	0.56 (14)	1.13 (29)	0.67 (17)	7/16 sq. (11)	-	-	1/8
2"	2.30 (59)	0.94 (24)	2.06 (52)	1.94 (49)	0.17 (4)	0.69 (18)	1.38 (35)	0.88 (22)	9/16 sq. (14)	-	-	1/8 or 1/4
2 1/2"	2.87 (73)	0.97 (25)	2.57 (65)	1.97 (50)	0.17 (4)	1.00 (25)	2.00 (51)	0.88 (22)	9/16 sq. (14)	-	-	1/8 or 1/4
3 1/2"	3.96 (101)	1.00 (25)	3.61 (92)	1.75 (44)	0.20 (5)	1.53 (39)	3.06 (78)	0.88 (22)	9/16 sq. (14)	-	-	1/8 or 1/4
Case Type 1001T (FF)												
2"	2.30 (59)	0.88 (22)	2.06 (52)	-	0.17 (4)	-	-	0.88 (22)	9/16 sq. (14)	2.95 (75)	2.56 (65)	1/8 or 1/4
2 1/2"	2.87 (73)	0.97 (25)	2.59 (66)	-	0.17 (4)	-	-	0.86 (22)	9/16 sq. (14)	3.69 (94)	3.31 (84)	1/8 or 1/4

Hole Diameter			
Panel Cut-out	Min. Inches (mm)	Max. Inches (mm)	Max. Panel Thickness
1 1/2" Gauge	1.625" (41.3)	1.750" (44.5)	1/8" (3.2)
2" Gauge	2.094" (53.2)	2.219" (56.4)	7/16" (11.0)
2 1/2" Gauge	2.609" (66.3)	2.750" (69.9)	7/16" (11.0)
3 1/2" Gauge	3.625" (92.1)	3.812" (96.8)	7/16" (11.0)