

Type 1259 Process Pressure Gauge



- **Solid front safety case**
- **Accuracy complies with ASME B40.1 Grade 2A ($\pm 0.5\%$ of span)**
- **As-welded Bourdon tube for safety and longer life**
- **Micrometer adjustable pointer.**
- **Adjustable movement**
- **Ranges: vac to 20,000 psi**
- **Date coded socket to ensure pedigree**
- **Wetted part material printed on dial**
- **Liquid filled case option (Code L)**

The Type 1259 process gauge is offered with an as-welded Bourdon tube to ensure safety and a longer life than competitive gauges. Meeting ASME B40.1, the Type 1259 process gauge has been engineered to meet marketplace requirements.

PRODUCT SPECIFICATIONS

- Model Number:** 1259
- Accuracy:** $\frac{1}{2}\%$ full scale (Grade 2A, ASME B40.100)
- Ranges:** Vacuum – 20,000 psi
- Ring Type:** Cam lock, fiberglass reinforced thermoplastic
- Dial Size:** $4\frac{1}{2}$ " diameter
- Case:** Solid front safety
- Case Material:** Fiberglass reinforced thermoplastic
- Weather Protection:** Dry Case: IP54
Liquid filled or hermetically sealed case: IP 65

TEMPERATURE LIMITS

	Ambient	Process	Storage
Dry	-20/200°F (-29/93°C)	-20/250°F (-29/121°C)	-40/250°F (-40/121°C)
LF (glycerin)	20/150°F (7/66°C)	20/200°F (7/93°C)	0/150°F (-18/66°C)

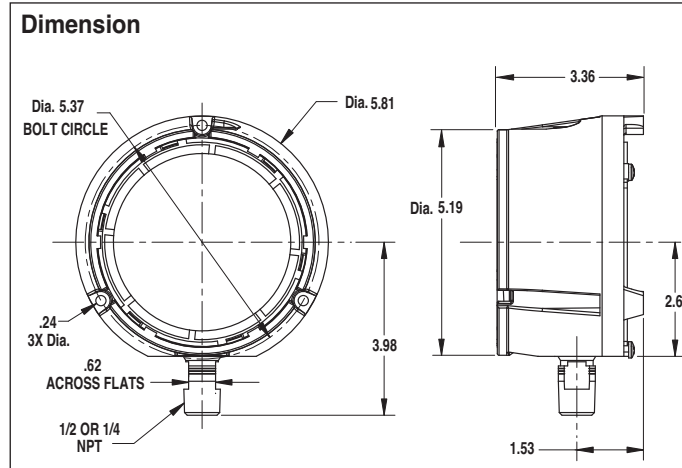
Note: Other than discoloration of the dial and hardening of the gasketing that may occur as ambient or process temperatures exceeds 150°F, non-liquid-filled gauges with standard glass windows, can withstand continuous operating temperatures up to 250°F (121°C). Liquid-filled gauges can withstand 200°F (93°C) but glycerin fill and acrylic window will tend to yellow. Accuracy at temperatures above or below the reference ambient temperature of 68°F (20°C) will be affected by approximately .4% per 25°F (4°C). Gauges with welded joints will withstand 750°F (450°F (232°C) with silver brazed joints) for short times without rupture, although other parts of the gauge will be destroyed and calibration will be lost. For continuous use and for process or ambient temperatures above 250°F (121°C), a diaphragm seal or capillary or siphon is recommended.

- Window:** Glass
- Dial:** Aluminum, white background, black pressure scale.
- Pointer:** Micrometer adjustable
- Movement:** Adjustable 300 series ss
- Bourdon Tube:** 316L SS/316L SS(S)
K Monel/Monel (P)
- Conn. Size:** $\frac{1}{4}$, $\frac{1}{2}$ NPT
- Conn. Location:** Lower
- PRODUCT OPTIONS**
- Fill:** Glycerin
- Hermetic Seal:** XLJ
- Flush Mounting Ring:** X56, X57
- Shatter Proof Glass Window:** XSG
- Window Acrylic:** XPD

Type 1259 Process Pressure Gauge

PSI RANGES	
Pressure – psi	
Range	
0/15	
0/30	
0/60	
0/100	
0/160	
0/200	
0/300	
0/400	
0/600	
0/800	
0/1000	
0/1500	
0/2000	
0/3000	
0/4000	
0/6000	
0/10,000	
0/20,000	
Vacuum	
30/0 in.Hg	
34/0 ftH ₂ O	
Compound	
30 ⁺ Hg/15 psi	
30 ⁺ Hg/30 psi	
30 ⁺ Hg/60 psi	
30 ⁺ Hg/100 psi	
30 ⁺ Hg/150 psi	
30 ⁺ Hg/300 psi	

METRIC RANGES		
Pressure – kg/cm ² and bar		
Range (Outer Scale)		
Range	psi	
0/1	0/14	
0/1.6	0/22	
0/2.5	0/35	
0/4	0/55	
0/6	0/85	
0/10	0/140	
0/16	0/220	
0/25	0/350	
0/40	0/550	
0/60	0/850	
0/100	1400	
0/160	2200	
0/250	3500	
0/400	5500	
0/600	8500	
0/1000	14,000	
0/1600	22,000	
Vacuum		
Vacuum	Outer Scale	
-1/0	30 ⁺ Hg	
Compound		
-1/0/1.5	30 ⁺ Hg/20	
-1/0/3	30 ⁺ Hg/40	
-1/0/5	30 ⁺ Hg/70	
-1/0/9	30 ⁺ Hg/125	
-1/0/15	30 ⁺ Hg/215	
-1/0/24	30 ⁺ Hg/340	



Bourdon System Selection					
Ordering Code	Bourdon Tube & Tip Material (all joints TIG welded except "A")	Socket Material	Tube Type	Range Selection Limits (psi)	NPT Conn. ⁽¹⁾
S	316L stainless steel	316 stainless steel	C-Tube	12/1500	¼, ½
			Helical	2000/20,000	¼, ½
P ⁽²⁾	K Monel	Monel 400	C-Tube	15/1500	¼, ½
			Helical	2000/30,000	¼, ½

NOTES:

- (1) Other connections available on application.
 (2) See Ashcroft product information page ASH/PI60A for compliance to NACE.

METRIC RANGES			
Pressure – kPa		Pressure – mPa	
Range	(Outer Scale) psi	Range	(Outer Scale) psi
0/100	0/14	0/0.1	0/14
0/160	0/22	0/0.16	0/22
0/250	0/35	0/0.25	0/35
0/400	0/55	0/0.4	0/55
0/600	0/85	0/0.6	0/85
0/1000	0/140	0/1	0/140
0/1600	0/220	0/1.6	0/220
0/2500	0/350	0/2.5	0/350
0/4000	0/550	0/4	0/550
0/6000	0/850	0/6	0/850
0/10,000	1400		
0/16,000	2200		
0/25,000	3500		
0/40,000	5500		
0/60,000	8500		
0/100,000	14,000		
0/160,00	22,000		
Vacuum		Outer Scale	
-100/0	30 ⁺ Hg		
Compound			
-100/0/150	30 ⁺ Hg/20		
-100/0/300	30 ⁺ Hg/40		
-100/0/500	30 ⁺ Hg/70		
-100/0/900	30 ⁺ Hg/125		
-100/0/1500	30 ⁺ Hg/215		
-100/0/2400	30 ⁺ Hg/340		

