

Type 1279, 1377, 1379 & 2462 Receiver Gauges



Type 1279



Type 1377



Type 1379



Type 2462

- 4½" full-size Bourdon tube
- Patented Duratube™ with as-welded-tube construction controls stress for longer life
- "Round Cap Tip" construction lowers stresses for longer life
- Easily adjustable, self-locking micrometer pointer
- Exclusive Teflon coated 400 series stainless steel rotary movement for longer life
- Epoxy-coated system for superior corrosion resistance

Ashcroft® receiver gauges are used in conjunction with pneumatic transmitters to indicate pressure, temperature, flow or other process parameters that can be transmitted by proportional variations in air pressure. Available in standard transmitter output air pressure range of 3-15psi.

Receiver Gauge Ranges

0/1	0/75	30/80	100/600
0/2	0/80	5/110	200/700
0/3	0/85	20/120	100/800
0/4	0/90	40/120	200/800
0/5	0/95	20/150	300/800
0/6	0/100	30/150	400/800
0/7	0/120	40/150	450/800
0/8	0/140	50/150	500/800
0/9	0/160	30/180	650/800
0/10	0/180	130/180	200/900
0/11	0/200	100/200	400/900
0/12	0/250	20/220	700/900
0/14	0/300	40/220	200/1000
0/15	0/350	30/240	400/1000
0/16	0/400	100/240	500/1000
0/17	0/500	30/250	600/1000
0/18	0/600	50/250	800/1000
0/19	0/700	100/250	200/1100
0/20	0/760	30/300	400/1200
0/21	0/800	50/300	500/1200
0/25	0/900	80/300	600/1200
0/26	0/1000	100/300	1000/1500
0/28	0/1500	50/350	300/1600
0/30	0/2000	80/350	1000/1600
0/35	0/3000	150/350	600/1800
0/40	0/4000	100/400	900/1800
0/45	0/5000	150/400	1200/1800
0/50	0/10,000	50/500	700/2000
0/55	0/15,000	100/500	1000/2500
0/60	0/20,000	200/500	1500/2500
0/65	0/30,000	300/500	900/3000
0/70	0/50,000	200/700	1500/3000

Square Root Ranges

0/5	0/70	0/300	0/1500
0/10	0/80	0/350	0/2000
0/15	0/90	0/400	0/3000
0/20	0/100	0/500	0/4000
0/25	0/125	0/600	0/5000
0/30	0/150	0/700	0/10,000
0/40	0/175	0/800	
0/50	0/200	0/900	
0/60	0/250	0/1000	

Compound Ranges

30" Hg/0/15 psi
 30" Hg/0/30 psi
 30" Hg/0/60 psi
 30" Hg/0/100 psi
 30" Hg/0/150 psi
 30" Hg/0/500 psi
 30" Hg/0/800 psi

HOW TO ORDER:

From Table A, Dial Size: 4½" : 45
 From Table A, Case Type Number: 1279
 From Table B, Bourdon tube and socket: AS*
 From Table B, Connection: ¼ NPT (02), ½ NPT (04), Lower (L), Back (B) : 04L
 From Optional Features: XPR
 Input pressure and dial range from range table : 3-15 psi

(*) "S" denotes solid front case design

Type 1279, 1377, 1379 & 2462 Receiver Gauges

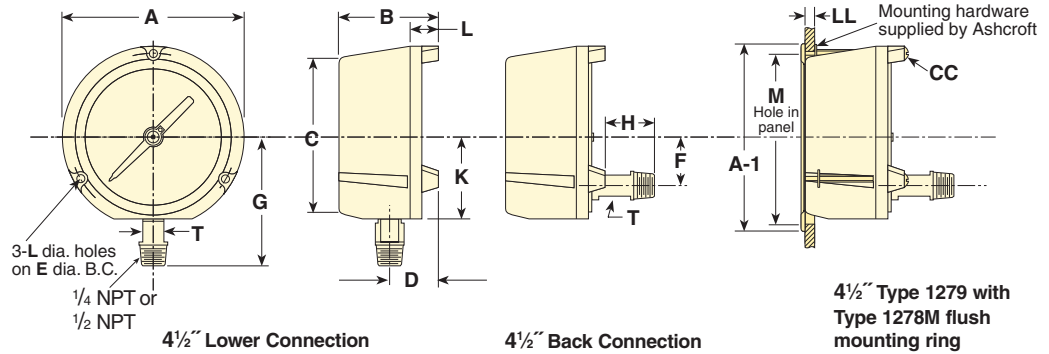
GAUGE TYPE NUMBER	DIAL SIZES	CASE/RING MATERIAL	SYSTEM ASSEMBLY	RANGE psi	POINTER	MOVEMENT	NPT CONN.	ACCURACY
1279AS-XPR	4½	Case Phenolic, black Ring Polypropylene, threaded, black	Phosphor bronze Bourdon tube, brass socket; (316 stainless steel optional)	3-15	Black, micrometer adjustable	Rotary geared, stainless steel Teflon® coated pinion gear and segment shaft	½ (¼ Opt.)	ASME B 40.1 Grade 2A (±0.5% of span)
1377AS-XPR	4½, 6, 8½	Case Aluminum, black epoxy Ring Hinged, steel, black						
1379AS-XPR	4½, 6, 8½	Case Aluminum, black epoxy Ring Threaded polypropylene 4½, 6 Hinged, steel, black 8½						
2462AS-XPR	6	Case Polypropylene, black Ring Polypropylene, bayonet lock, black						

GAUGE TYPE NUMBER	DIAL SIZES	CONNECTION LOCATION	MOUNTING TYPE	MOUNTING METHOD	MOUNTING METHOD CODE
1279AS-XPR	4½	Lower/Back	Stem/Surface	–	–
		Back	Flush	1278M Ring	X56
1377AS-XPR	4½, 6, 8½	Back	Flush	–	–
		Lower/Back	Stem/Surface	–	–
1379AS-XPR	4½, 6, 8½	Back	Flush	4½ & 6, 1278M Ring – 8%, Wide Ring std.	–
		Lower/Back	Stem	–	X56 ⁽¹⁾
2462AS-XPR	6	Lower/Back	Surface	Surface Mounting Ring	XBF
		Back	Flush	Flush Mounting Bracket	XBQ

(1) 8½" available with flush mounting standard.

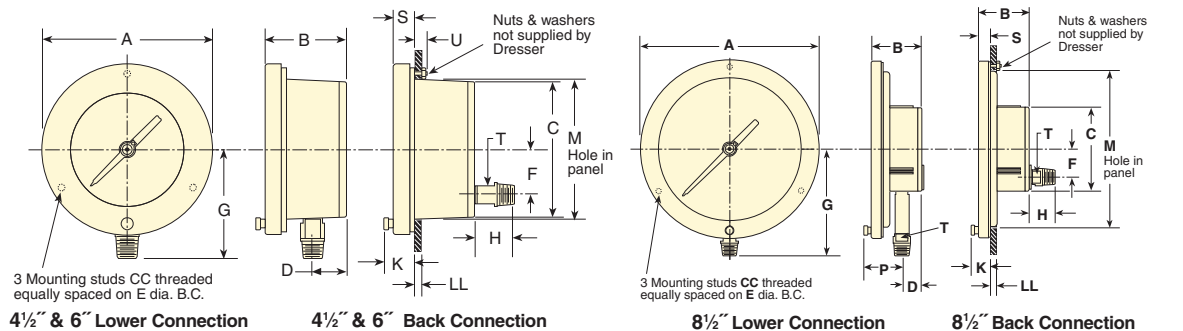
Type 1279, 1377, 1379 & 2462 Receiver Gauges

Case Type 1279 Dimensions



Dial Size Inches	A	B	C	D	E	F	G	H	K	L	T	V	Weight (lbs)
4 1/2	5.81 (147.6)	3.36 (85.3)	5.07 (128.7)	1.06 (40.6)	5.375 (137)	1.62 (41.2)	4.08 (103.7)	.73 (18.4)	2.62 (66.6)	.22 (5.5)	.62 (15.7)	2.625 (67)	2 1/2

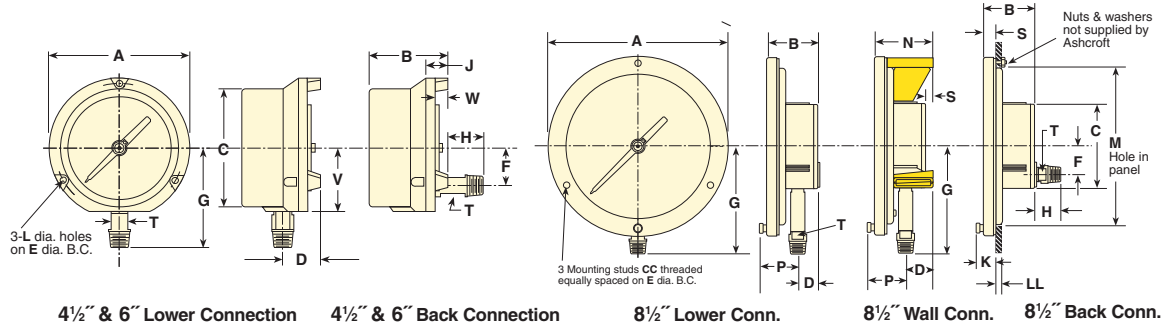
Case Type 1377 Dimensions



Dial Size Inches	A	B	C	D	E	F	G	H	K	M	P	S	T	U	CC	LL	Weight (lbs)
4 1/2	6 3/32 (148)				5 3/8 (137)		3 15/16 (100)			4 7/8 (124)					#10-24		2 1/2
6	7 7/16 (192)	2 7/8 (73)	4 3/4 (121)	1 1/16 (27)	7 (178)	1 5/8 (41)	4 1/2 (114)	1 3/8 (35)	1 1/16 (27)	6 1/2 (165)	2 1/8 (54)	5/8 (16)	5/8 (16)	3/4 (19)	1/4-20	1/8-1/2 (3)(13)	3
8 1/2	10 1/16 (257)				9 5/8 (244)		6 (152)			9 (229)					1/4-20		4 1/2

Type 1279, 1377, 1379 & 2462 Receiver Gauges

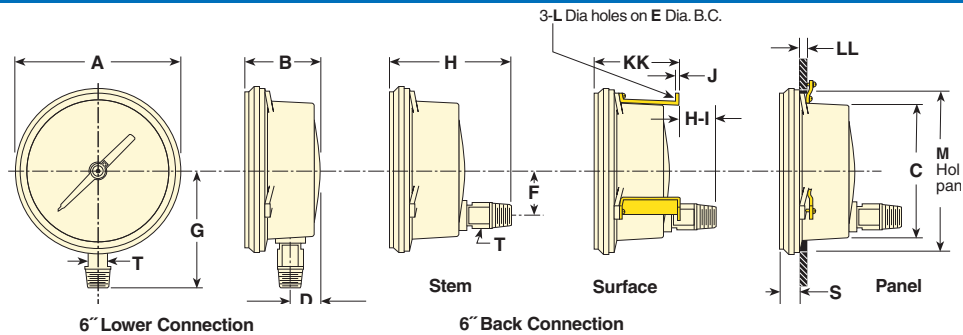
Case Type 1379 Dimensions



Dial Size Inches	A	B	C	D	E	F	G	H	J	K
4½	5¼ (148)	3¼ (86)	4⅞ (124)	1⅝ (41)	5⅝ (137)	1⅞ (42)	3¼ (100)	⅞ (20)	1¼ (27)	—
6	7⅞ (192)	3½ (89)	6⅝ (162)	1⅝ (41)	7 (178)	1½ (42)	4½ (114)	—	—	—
8½	10¼ (256)	2⅞ (73)	4¾ (121)	1¼ (27)	9⅝ (244)	1⅝ (41)	6 (152)	1⅝ (35)	—	1¼ (27)

Dial Size Inches	L	M	N	P	S	T	V	CC	LL	Wgt. (lbs)
4½	.218 (6)	—	—	2⅞ (54)	—	⅝ (16)	2⅝ (67)	—	—	2½
6	—	—	—	—	—	—	—	⅝-½ (3)(13)	—	3⅞
8½	—	9 (228)	3⅞ (83)	—	1¼ (17)	—	—	#10-24	—	4½

Case Type 2462 Dimensions



Dial Size Inches	A	B	C	D	E	F	G	H	H-1	J	KK	L	LL		M	S	T	Wgt. (lbs)
													Min.	Max.				
6	6⅞ (163)	2⅞ (62)	4¾ (120)	⅞ (22)	5⅝ (137)	1⅞ (42)	3¼ (100)	4⅞ (116)	4⅞ (109)	⅝ (2)	2¼ (69)	.218 (6)	¼ (2)	½ (13)	6 (152)	1¼ (17)	⅝ (16)	6