

Type 1036 In-Line Sanitary Pressure Gauge with Type 1037 Sanitary Instrument Fitting



NOW WITH
PLUS!
 Performance

FEATURES

Type 1036 Sanitary Gauge

- All-welded stainless steel wetted surfaces
- Field liquid-fillable gauge case
- True Zero™ pointer indication
- PowerFlex™ movement for extended life
- Easy Zero™ external pointer adjustment standard
- Retrofits Anderson Instrument CPM design

Type 1037 Fitting

- Pipe O.D. sizes from 1/2" thru 2"
- 316L SS
- Electropolished 12-20RA internal surface finish
- Heat number of wetted materials stamped on each fitting
- Actual material certificates and certificate of conformance supplied as standard to EN 10204:2004 3.1

Designed specifically for the pharmaceutical, biotechnology and food processing markets, the Ashcroft® Type 1036 in-line sanitary pressure gauge and Type 1037 sanitary instrument fitting virtually eliminate process dead-leg. The design of the Type 1036 sanitary gauge and instrument fitting allows for the diaphragm of the gauge to be positioned at the gauge instrument fitting, eliminating the pocket or deadleg that may cause contamination.

The Type 1036 sanitary gauge and Type 1037 instrument fitting utilize a 1½" Tri-Clamp connection. This feature offers flexibility to use the Ashcroft Type 1036 with the Type 1037 instrument fitting on sanitary instrument fittings for pipe sizes from ½" thru 2".

The Ashcroft Type 1036 sanitary pressure gauge can be autoclaved or sterilized⁽¹⁾, and cleaned (CIP) or steamed in place (SIP). The gauge comes standard with True Zero pointer indication. Since the Type 1036 has no dial stop pin, the gauge pointer always indicates a true reading.

⁽¹⁾ Optional polysulfone window required.

HOW TO ORDER (Typical example)

35 1036 SD 15 L XXX 100#

Dial Size: 3½" _____

Case Type: _____

System Mat'l: Stainless Steel _____

Fill: Dry _____

Connection Size: 1.5" seal _____

Connection Location: Lower _____

X Variations _____

Range _____

HOW TO ORDER

75-1037

- 50 – ½" Tri-Clamp connection
- 75 – ¾" Tri-Clamp connection
- 10 – 1" Tri-Clamp connection
- 15 – 1½" Tri-Clamp connection
- 20 – 2" Tri-Clamp connection

Type 1036 In-Line Sanitary Pressure Gauge with Type 1037 Sanitary Instrument Fitting

SPECIFICATIONS - Type 1036

Dial Size: 3/2" (only)

Accuracy: 1.5% F.S. for pressure ranges 100 psi and above. 2.0% F.S. for vacuum, compound and ranges below 100 psi.

Case & Ring Material: 300 series stainless steel

Ring Type: Bayonet, removable

Bourdon Tube and Socket Material:
316L stainless steel

Diaphragm Material & Surface Finish:
316L stainless steel, 12 to 20RA

Diaphragm O-Ring: Buna-N⁽¹⁾ (standard)
Viton[®](1) (XVD), Teflon⁽¹⁾ (XTD)

Connection Location: Lower

System Fill: USP food grade glycerin

Window Material: Polycarbonate

Pointer: Black-painted aluminum with external zero adjust (Easy Zero™)

Dial: white with black markings

Movement: 300 series stainless steel

Agency Approvals: 3A compliance to sanitary standard 74-03

Ranges: 15# thru 600#, including compound & vacuum

Clean or Steam in Place: (CIP or SIP):
Temperature limit of 200°F (138°C)

Autoclave or Sterilize: Temperature limit of 300°F (149°C) when supplied with polysulfone window

We recommend a polysulfone window for autoclave/sterilization. Specify the XPS variation.

SPECIFICATIONS - Type 1037 CODE

316L stainless steel construction std.

Wetted parts electropolished to 12 to 20RA surface finish std.

Heat number stamped on fitting std.

Sizes:

1/2" Tri-Clamp connection 50

3/4" Tri-Clamp connection 75

1" Tri-Clamp connection 10

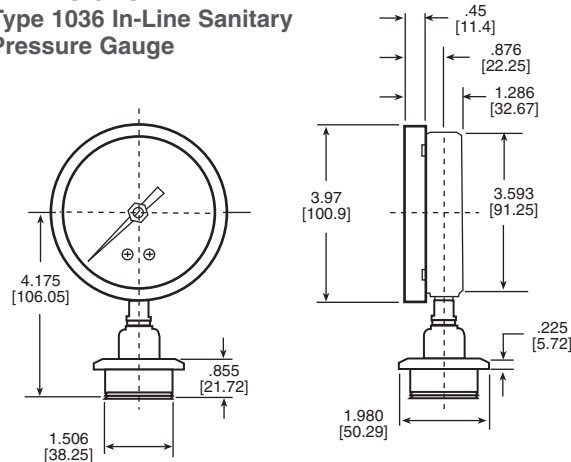
1 1/2" Tri-Clamp connection 15

2" Tri-Clamp connection 20

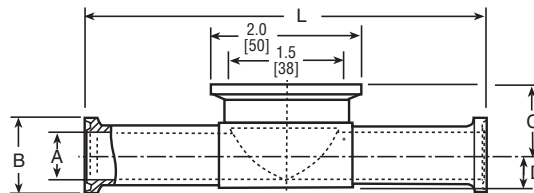
(1) To Ensure Cleanliness:

Prior to reinstalling the Type 1036 in to the Type 1037 instrument fitting, we recommend replacing the O-ring (P/N 185A106-75) Buna-N
185A106-76 Viton
185A106-77 Teflon

DIMENSIONS - Type 1036 In-Line Sanitary Pressure Gauge



DIMENSIONS - Type 1037 Instrument Fitting



Inch/mm	A	B	C	D	L
1/2"	.38	.98	.81	.31	5.25
50	(9.6)	(24.9)	(20.6)	(7.9)	(133.4)
3/4"	.63	.98	.93	.43	5.25
75	(15.9)	(24.9)	(23.6)	(10.9)	(133.4)
1"	.87	1.98	1.05	.55	4.75
10	(22.1)	(50.4)	(26.7)	(14.1)	(120.7)
1 1/2"	1.37	1.98	1.31	.81	5.50
15	(34.7)	(50.4)	(33.3)	(20.6)	(139.7)
2"	1.86	2.51	1.56	(1.06)	(7.00)
20	(47.2)	(62.8)	(39.6)	26.9	177.8