

Type 1005P, XUL Fire Protection Sprinkler Service Gauge

FEATURES

- Underwriters Laboratory listed and Factory Mutual approved
- Corrosion-resistant ABS case
- Heat-resistant polycarbonate push-in window
- Patented PowerFlex™ movement with polyester segment
- True Zero™ indication, a unique safety feature

Ashcroft® fire protection sprinkler gauges are Underwriters Laboratory listed and Factory Mutual approved for fire protection sprinkler service. The case material on Type 1005P, XUL gauges is ABS. The 0-300 psi pressure range is used on “wet” systems where water is available to the sprinkler heads. The 0-80 retard to 250 psi pressure range is used on dry systems where the lines are filled with air pressure until system activation. The 0-600 psi gauge is available for systems requiring higher pressures.

The patented PowerFlex™ movement with polyester segment is designed to provide unequalled shock and vibration resistance resulting in superior performance and extended gauge life.

True Zero™ indication, a standard feature on these gauges, reduces the potential risk of installing a damaged gauge on your equipment.

PRODUCT SPECIFICATIONS

Ashcroft® Model No.: 1005P, XUL
Accuracy: ASME B 40.100
 Grade B (±3-2-3% of span)

Size: 3½”

Case: ABS (Polycarbonate blend)

Ring: None

Window: Polycarbonate, push-in

Dial: Black figures on white background

Pointer: Black, aluminum

Bourdon tube: “C” shaped bronze

Movement: Patented PowerFlex™ with polyester segment

Socket: Brass

Restrictor: None

Connection: ¼ NPT lower

Ranges: 0-300 psi (water)
 0-80 retard to 250 psi (air)
 0-600 psi

Operating

temperature: -40°F to 150°F; -40°C to 65°C

UL 393 Listed, UL of Canada Listed and FM approved. Equivalent (single or dual scale) metric scales are available

OPTIONAL FEATURES

Customized dials

Other UL listed ranges on application



HOW TO ORDER (Typical example)

35 W 1005 P H 02L XUL 300#

Dial Size: 3½” _____

Movement: Patented PowerFlex™ _____

Case Type Number: 1005P _____

Case Material: ABS _____

Socket Material: Brass _____

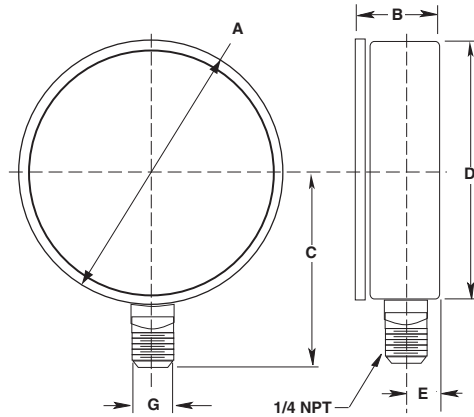
Connection Size/Location: ¼ NPT Lower _____

Listing: UL listed, FM approved _____

Range: 0/300 psi _____

Type 1005P, XUL Fire Protection Sprinkler Service Gauge

DIMENSIONS



SIZE/TYPE	A	B	C	D	E	G
3 1/2"	3.70	1.14	2.72	3.61	0.47	0.56
1005P, XUL	(94)	(29)	(69)	(92)	(11.9)	(14.2)