

## Type 1020S Christmas Tree Gauge



### FEATURES

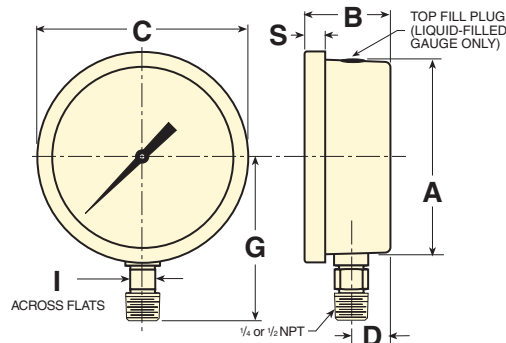
- 4½" dial size
- All-stainless steel case and ring
- 316 stainless steel Bourdon tube
- Micrometer-adjustable pointer

Ashcroft® Type 1020S Christmas Tree gauges are designed to the specific needs of oil fields where rugged construction and minimal maintenance is important.

### PRODUCT SPECIFICATIONS

<b>Model Number:</b>	1020
<b>Accuracy:</b>	±1% full scale (Grade 1A, ASME B40.100)
<b>Ranges:</b>	1000 to 20,000 psi
<b>Dial Size:</b>	4½"
<b>Case Material:</b>	Stainless steel
<b>Ring:</b>	Bayonet lock
<b>Window:</b>	Glass
<b>Dial:</b>	Aluminum, white background, black figures and intervals.
<b>Pointer:</b>	Micrometer adjustable
<b>Movement:</b>	SS, Teflon® coated pinion and sector shaft, rotary geared
<b>Bourdon Tube and Socket:</b>	316 SS
<b>Connection Size:</b>	½" NPT, ¼" NPT optional
<b>Connection Location:</b>	Lower
<b>Mounting:</b>	Stem or surface

### DIMENSIONS



Dial Size Inches	A	B	C	D	G	I	S	Wght (lbs)
4½	4 <sup>19</sup> / <sub>16</sub> (121)	2 <sup>1</sup> / <sub>16</sub> (53)	5 <sup>1</sup> / <sub>32</sub> (130)	1 <sup>5</sup> / <sub>16</sub> (24)	4 <sup>1</sup> / <sub>16</sub> (103)	5/ <sub>8</sub> (16)	1 <sup>5</sup> / <sub>32</sub> (12)	1.75 .8 kg

### HOW TO ORDER:

	45	1020	S	04L	1000#
1. Dial size—4½"	_____	_____	_____	_____	_____
2. Case type—1020	_____	_____	_____	_____	_____
3. Tube and socket material	_____	_____	_____	_____	_____
4. Connection size—¼ (02), ½ (04)	_____	_____	_____	_____	_____
5. Connection location—Lower (L) only	_____	_____	_____	_____	_____
6. Standard pressure range—1000 psi (see page 2)	_____	_____	_____	_____	_____

## Type 1020S Christmas Tree Gauge

CASE TYPE								
Gauge Type Number	Dial Size (inches)	Case & Ring Material Finish	Bourdon Tube & Tip Material	Socket Material	Pressure Range (psi)	Pointer	Movement	NPT Connection
XMAS TREE 1020S	4½	Case: Stainless Steel Ring: Bayonet Lock Stainless Steel Both polished	316 Stainless Steel (all joints TIG welded)	316 Stainless Steel	1000/20,000	Micrometer Adjustable	Stainless Steel Teflon coated pinion and sector shaft, rotary geared	½ ¼ optional

STANDARD METRIC RANGES								
TYPE	RANGE		DIAL GRADUATIONS		RANGE	DIAL GRADUATIONS		Outer Scale When Dual Range Specified psi
	kg/cm²	Bar	Figure Interval	Minor Graduation		Figure Interval	Minor Graduation	
1020S	Pressure							
	0/60	0/60	5	1	0/6000	500	100	0/850
	0/100	0/100	10	1	0/10,000	1000	100	0/1400
	0/160	0/160	20	2	0/16,000	2000	200	0/2200
	0/250	0/250	50	5	0/25,000	5000	200	0/3500
	0/400	0/400	50	5	0/40,000	5000	500	0/5500
	0/600	0/600	50	10	0/60,000	5000	500	0/8500
	0/1000	0/1000	100	10	0/100,000	10,000	1000	0/14,000
	0/1600	0/1600	200	20	0/160,000	20,000	2000	0/22,000

STANDARD RANGES		
Pressure Range	Figure Interval	Minor Graduation
0/1000	100	10
0/2000	200	20
0/3000	300	50
0/5000	500	50
0/10,000	1000	100
0/20,000	2000	200