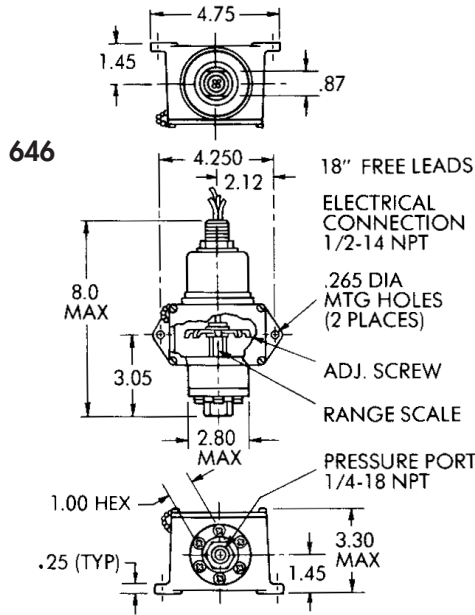


INSTALLATION DRAWING



646GE & 646VE
SHIPPING WT.
APPROX. 44 OZ.
(1247 GRAMS)

646PE
SHIPPING WT.
APPROX. 39 OZ.
(1105 GRAMS)

Press. **.4 to 4700** psi
Vac. **1.0 to 28.5"** Hg

SERIES:
646GE
646PE
646VE

Standard Features:

- U.L. / CSA
- Explosion Proof: Div. 1, 2
- NEMA: 4, 7, 9, 13

AMBIENT TEMP. RANGE

-30° to 160° F
-34° to 71° C

OPERATING AND ORDERING DATA:

PRESSURE SWITCHES MODEL 646GE		• 1/4" ALUMINUM PRESSURE PORT & POLYIMIDE DIAPHRAGM			Wetted Parts	Aluminum Polyimide Buna N
Max Sys. Press. psi	Proof (Test) Press. psi	Adjustable Set-Point Range		Approx. Dead-band psi	Model Number	
		On Incr. Press. psi	On Decr. Press. psi		MODEL SPDT-Std.	MODEL DPDT "M"
500	750	1.2-16	.4-15.2	.8	646GE1	646GEM1
3000	5000	8-75	3-70	5	646GE2	646GEM2
3000	5000	20-150	8-138	12	646GE11	646GEM11
3000	5000	50-375	22-347	28	646GE3	646GEM3
3000	5000	330-1000	265-935	65	646GE5	646GEM5

FOR HIGH CYCLING - LONG LIFE - HYDRAULIC APPLICATIONS

PRESSURE SWITCHES MODEL 646PE		• PISTON PRESSURE SWITCH 1/4" ALUMINUM PRESSURE PORT			Wetted Parts	Aluminum 400 SST	Buna N Teflon
Hyd. psi	Hyd. psi						
2000	3000	20-200	10-188	10-12	646PE12	646PEM12	
3000	5000	170-1400	90-1230	80-170	646PE15	646PEM15	
5000	7500	300-3000	180-2780	120-220	646PE21	646PEM21	
7500	10,000	2500-5000	2220-4520	280-480	646PE31	646PEM31	

Piston switch dead-bands shown are narrowest at bottom and widest at top of adjustable range.

VACUUM SWITCHES MODEL 646VE		• 1/4" ALUMINUM PRESSURE PORT & POLYIMIDE DIAPHRAGM			Wetted Parts	Aluminum Polyimide Buna N
Max Sys. Press. psi	Proof (Test) Press. psi	Adjustable Set-Point Range		Approx. Dead-band In. Hg	Model Number	
		On Incr. Vacuum In. Hg	On Decr. Vacuum In. Hg		MODEL SPDT-Std.	MODEL DPDT "M"
150	250	3.5-28.5	1.0-26.0	2.5	646VE1	646VEM1

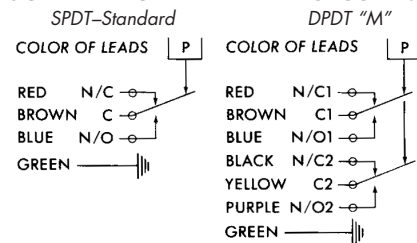
Options Code:

- "A" Viton O-ring
- "F" Ethylene Propylene O-ring
- "Y" EECS Certified to EXsIIT5
- "7008" Gold Contacts
- "7038" SST Port and SST Piston (PE Models Only)
- "7076" Teflon Wire

ELECTRICAL CHARACTERISTICS:
RATING OF SWITCH ELEMENT

VOLTS	AMPERES	
	SPDT	DPDT "M"
	Res.	Res.
125 AC - 50/60 Hz	15	5
250 AC - 50/60 Hz	15	5
480 AC - 50/60 Hz	15	-
125 DC	.4	.5

SCHEMATIC AND WIRING CODE:



ENCLOSURE/CERTIFICATIONS:

Div. 1 explosion-proof and hermetically sealed electrical assembly Part No. 17-51 (17-73 for "M" model option), listed by both Underwriter's Laboratories, Inc. (File No. E32961) and CSA Testing Laboratories (File No. 22921) for hazardous locations, Class 1, Groups A, B, C, and D; Class 2 Groups E, F, and G.

HOW TO ORDER: Specify model number, add desired "options" listing letter codes first followed by numbers: Custom Control Sensors, Inc. • 21111 Plummer Street, Chatsworth, CA 91311 • Tel: (818)341-4610 • Fax: (818)709-0426
e-mail: switchnet@ccsdualsnap.com • http://www.ccsdualsnap.com