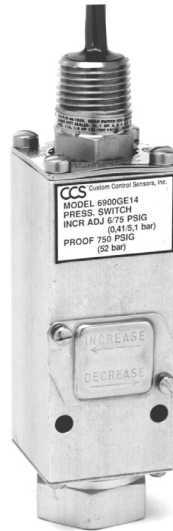
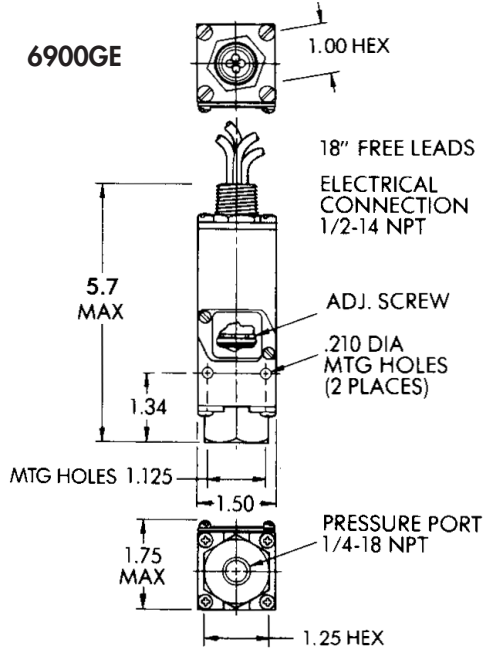


**INSTALLATION DRAWING**



6900GE & 6900PE  
SHIPPING WT.  
APPROX. 16 OZ.  
(467 GRAMS)

Press. 1 to 6500 psi

**SERIES:  
6900GE  
6900PE**

**Standard Features:**

- U.L./CSA
- Explosion Proof: Div. 1, 2
- NEMA: 4, 7, 9, 13

**AMBIENT TEMP. RANGE**

-30° to 160° F  
-34° to 71° C

**OPERATING AND ORDERING DATA:**

PRESSURE SWITCHES MODEL 6900GE		1/4" ALUMINUM PRESSURE PORT AND POLYIMIDE DIAPHRAGM		Wetted Parts	Aluminum Polyimide Buna N	
Max Sys. Press. psi	Proof (Test) Press. psi	Adjustable Set-Point Range		Approx. Dead- band psi	Model No.	
		On Incr. Press. psi	On Decr. Press. psi		MODEL SPDT-Std.	MODEL DPDT "M"
500	750	3-20	1-18	2	6900GE12	6900GEM12
500	750	6-75	2-71	4	6900GE14	6900GEM14
1500	2000	12-150	4-142	8	6900GE16	6900GEM16
1500	2000	30-375	10-355	20	6900GE18	6900GEM18
2000	3000	300-1000	250-950	50	6900GE20	6900GEM20
3000	4500	700-2500	600-2400	100	6900GE22	6900GEM22
<p><b>PRESSURE SWITCHES MODEL 6900PE</b></p> <ul style="list-style-type: none"> <li>• FOR HIGH CYCLING - LONG LIFE - HYDRAULIC APPLICATIONS</li> <li>• PISTON PRESSURE SWITCH 1/4" ALUMINUM PRESSURE PORT</li> </ul>						
Hyd. psi	Hyd. psi			Wetted Parts	Aluminum 400 SST	Buna N Teflon
2000	3000	15-200	5-190	10	6900PE32	6900PEM32
3000	5000	150-1600	40-1490	110	6900PE34	6900PEM34
5000	7500	500-3200	330-3030	170	6900PE36	6900PEM36
10,000	13,000	2000-6500	1500-6000	500	6900PE38	6900PEM38

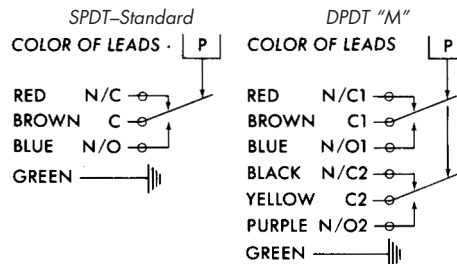
**Options Code:**

- "A" Viton O-ring
- "F" Ethylene Propylene O-ring
- "7008" Gold Contacts
- "7038" 316 SST Port & Piston
- "7042" SST Body
- "7043" SST Body & Gold Contacts
- "7076" Teflon Wire

**ELECTRICAL CHARACTERISTICS:**  
RATING OF SWITCH ELEMENT

VOLTS	AMPERES	
	SPDT Res.	DPDT "M" Res.
125 AC - 50/60 Hz	11	11
250 AC - 50/60 Hz	11	11
30 DC	5	5
125 DC	.5	.5

**SCHEMATIC AND WIRING CODE:**



**ENCLOSURE/CERTIFICATIONS:**

Div. 1 explosion-proof and hermetically sealed electrical assembly Part No. 46-1058 (46-1061 for "M" model option), listed by both Underwriter's Laboratories, Inc. (File No. E32961) and CSA Testing Laboratories (File No. 22921) for hazardous locations, Class 1, Groups A, B, C, and D; Class 2 Groups E, F, and G.

**HOW TO ORDER:** Specify model number, add desired "options" listing letter codes first followed by numbers:  
Custom Control Sensors, Inc. • 21111 Plummer Street, Chatsworth, CA 91311 • Tel: (818)341-4610 • Fax: (818)709-0426  
e-mail: switchnet@ccsdualsnap.com • http://www.ccsdualsnap.com