

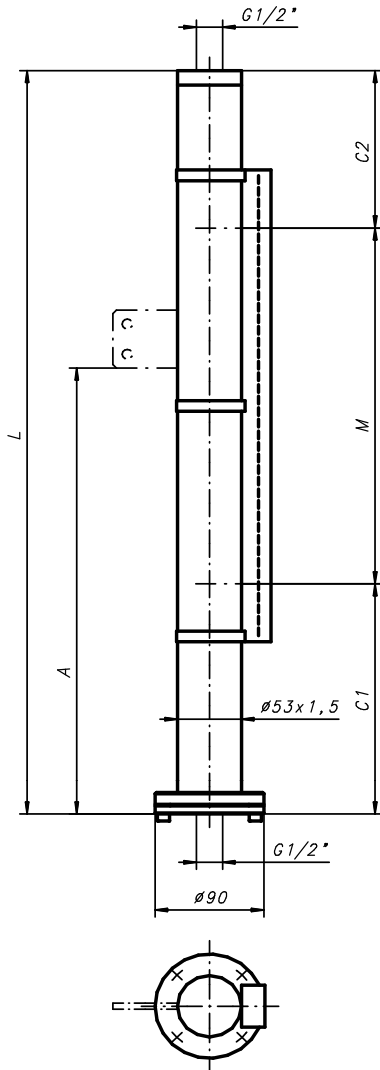
Visual Level Indicators (VLI) Standard Series

Series	Type	Material	Pipe O.D. x s (mm)	Operating Pressure	Operating Temperature	Seite
Standard 6	23614-A	316/316L	53.0 x 1.5	max. 6bar @ 20°C	-80°C ... +150°C	2
"	23614-B	"	"	"	"	3
"	23614-K	"	"	"	"	4
"	23614-O	"	"	"	"	5
"	Pressure Temperature Rating for Standard Series 6					6
"	Float selection diagram for Standard Series 6					7
Standard 28	34300-A	316&316L	53.0 x 1.5	max. 28bar @ 20°C	-100°C ... +400°C	8
"	34300-B	"	"	"	"	9
"	34300-K	"	"	"	"	10
"	34300-O	"	"	"	"	11
"	Pressure Temperature Rating for Standard Series 28					12
"	Float selection diagram for Standard Series 28					13
Standard 50	32755-A	316/316L	54.0 x 2.0	max. 50bar @ 20°C	-80°C ... +400°C	14
"	32755-B	"	"	"	"	15
"	32755-K	"	"	"	"	16
"	32755-O	"	"	"	"	17
"	Pressure Temperature Rating for Standard Series 50					18
"	Float selection diagram for Standard Series 50					19
Mounting specification for switches and transmitters drawing no. 20010501						20

Standard Series 6

Type: 23614-A

Design meets the requirements of PED 97/23/EC and harmonized standards



Float extension lower / upper:

	C1:	C2:
Standard	180	130

C1 & C2 shorter or longer, if out of standard range or with damping springs

Purchase Order Data:

Company:
Purchase order no.:
Quantity:

Project:	
Tag no.:	

Operating Conditions

Fluid:		
Density:	≥ 0.65g/cm ³	g/cm ³ :
Viscosity:	≤ 600cSt	cSt:
Operating pressure:	max. 6bar(g) @ 20°C *1)	bar(g):
Design pressure:	"	bar(g):
Operating temperature:	-80°C ... +150°C *1)	°C:
Design temperature:	"	°C:
Connecting Distance "L":	max. 5800mm (one-piece design)	mm:

Design and Materials:

Float chamber:	316/316L	Screws and nuts:	A2-70, ISO 3506
Float:	316L (Standard)	type no.:	36223/20 / 38662/20
	NBR	type no.:	39525/0.8 / 1.0 / 1.2
		type no.:	

other materials and densities see float selection diagram or on request

Damping spring top and bottom, 1.4401	No.:	27399	<input type="checkbox"/>
Gaskets:	Fibre compound Aramid/NBR (<150°C)	Standard	<input type="checkbox"/>
	PTFE, non reinforced, raked (<250°C)		<input type="checkbox"/>
	Graphite incl. reinforcing net in ss 316/316L (<400°C)		<input type="checkbox"/>

Process connections:

Connection threads:

- female G1/2" (ISO 7-1 / ISO 228-1), without plug
- other connection threads see price list

Standard	<input type="checkbox"/>
----------	--------------------------

Indication Rail:

PC, IP65 (<150°C)	Flaps: red-silver	No.:	34837	Standard	<input type="checkbox"/>
PC, IP68, inert gas (<150°C)	Flaps: red-silver	No.:	41008		<input type="checkbox"/>
Al/PC, IP54 (<250°C)	Flaps: red-silver	No.:	34560		<input type="checkbox"/>
Al/glass, IP54 (<400°C)	Flaps: black-silver	No.:	37100		<input type="checkbox"/>
Special	Flaps:	No.:			<input type="checkbox"/>

Accessories (installation instructions see spec. no. 20010501)

Fixation bracket no. 26936:	dimension "A" [mm]:	
Magnetic switch:	quantity:	type:
Transmitter:	resolution [mm]:	type:
	measuring length M _{el} [mm]:	
Converter:	type:	
Further accessories:		

Test reports and certificates:

EN10204:2004-3.1 certificate for used materials of the float chamber:

Special executions and notes:

Notes:

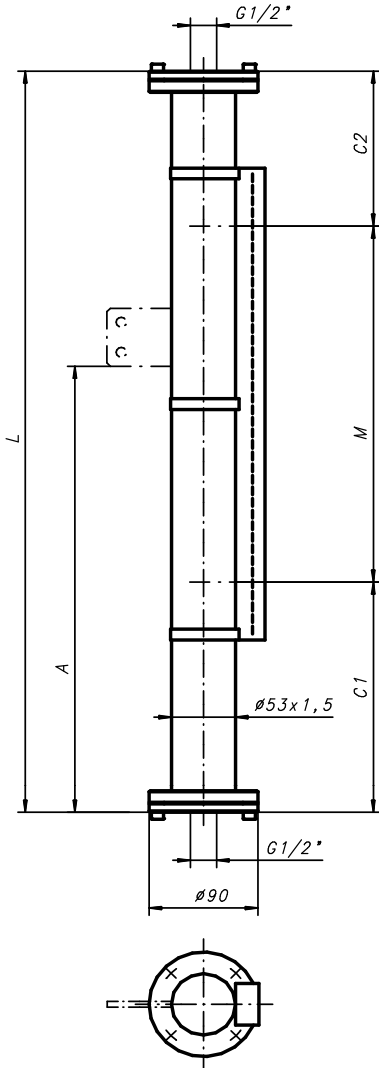
- *1) Refer to pressure-temperature rating! Lowest pressure-temperature rating of any connecting flange or fitting will set the limitation!
Test pressure will be specified according to WEKA specification AW 2.1.2.

All indicated dimensions in mm. All dimensions are only valid on VLI in standard execution.

Standard Series 6

Type: 23614-B

Design meets the requirements of PED 97/23/EC and harmonized standards



Float extension lower / upper:

	C1:	C2:
Standard	180	130

C1 & C2 shorter or longer, if out of standard range or with damping springs

Purchase Order Data:

Company:	Project:
Purchase order no.:	
Quantity:	Tag no.:

Operating Conditions

Fluid:		
Density:	≥ 0.65g/cm3	g/cm3:
Viscosity:	≤ 600cSt	cSt:
Operating pressure:	max. 6bar(g) @ 20°C *1)	bar(g):
Design pressure:	"	bar(g):
Operating temperature:	-80°C ... +150°C *1)	°C:
Design temperature:	"	°C:
Connecting Distance "L":	max. 5800mm (one-piece design)	mm:

Design and Materials:

Float chamber:	316/316L	Screws and nuts:	A2-70, ISO 3506
Float:	316L (Standard)	type no.:	36223/20 / 38662/20
	NBR	type no.:	39525/0.8 / 1.0 / 1.2
		type no.:	

other materials and densities see float selection diagram or on request

Damping spring top and bottom, 1.4401	No.:	27399	<input type="checkbox"/>
Gaskets:	Fibre compound Aramid/NBR (<150°C)	Standard	<input type="checkbox"/>
	PTFE, non reinforced, raked (<250°C)		<input type="checkbox"/>
	Graphite incl. reinforcing net in ss 316/316L (<400°C)		<input type="checkbox"/>

Process connections:

Connection threads:

- female G1/2" (ISO 7-1 / ISO 228-1), without plug Standard
- other connection threads see price list

Indication Rail:

PC, IP65 (<150°C)	Flaps: red-silver	No.:	34837	Standard	<input type="checkbox"/>
PC, IP68, inert gas (<150°C)	Flaps: red-silver	No.:	41008		<input type="checkbox"/>
Al/PC, IP54 (<250°C)	Flaps: red-silver	No.:	34560		<input type="checkbox"/>
Al/glass, IP54 (<400°C)	Flaps: black-silver	No.:	37100		<input type="checkbox"/>
Special	Flaps:	No.:			<input type="checkbox"/>

Accessories (installation instructions see spec. no. 20010501)

Fixation bracket no. 26936:	dimension "A" [mm]:	
Magnetic switch:	quantity:	type:
Transmitter:	resolution [mm]:	type:
	measuring length M _{el.} [mm]:	
Converter:	type:	
Further accessories:		

Test reports and certificates:

EN10204:2004-3.1 certificate for used materials of the float chamber:

Special executions and notes:

Notes:

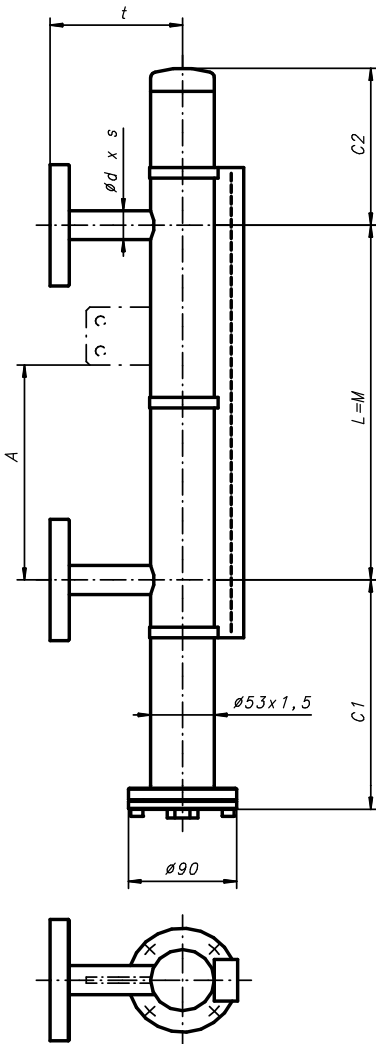
*1) Refer to pressure-temperature rating! Lowest pressure-temperature rating of any connecting flange or fitting will set the limitation!
Test pressure will be specified according to WEKA specification AW 2.1.2.

All indicated dimensions in mm. All dimensions are only valid on VLI in standard execution.

Standard Series 6

Type: 23614-K

Design meets the requirements of PED 97/23/EC and harmonized standards



Float extension lower / upper:

	C1:	C2:
Standard	180	130

C1 & C2 shorter or longer, if out of standard range or with damping springs

Standard flange connections:

	EN	ANSI/ISO
Connection pieces, d*s:		
DN15:	21.3*2.0	21.3*2.0
DN20:	26.9*2.0	26.9*2.0
DN25:	33.7*2.0	33.7*2.0
≥ DN32 *2):	33.7*2.0	33.7*2.0
Dimension t:		
DN15:	110	110
DN20:	110	110
DN25:	110	110
≥ DN32 *2):	tba on request 3):	

Purchase Order Data:

Company:		Project:	
Purchase order no.:			
Quantity:		Tag no.:	

Operating Conditions

Fluid:			
Density:	≥ 0.65g/cm3	g/cm3:	
Viscosity:	≤ 600cSt	cSt:	
Operating pressure:	max. 6bar(g) @ 20°C *1)	bar(g):	
Design pressure:	"	bar(g):	
Operating temperature:	-80°C ... +150°C *1)	°C:	
Design temperature:	"	°C:	
Connecting Distance "L":	max. 5600mm (one-piece design)	mm:	

Design and Materials:

Float chamber:	316/316L	Screws and nuts:	A2-70, ISO 3506
Float:	316L (Standard)	type no.:	36223/20 / 38662/20
	NBR	type no.:	39525/0.8 / 1.0 / 1.2
		type no.:	

other materials and densities see float selection diagram or on request

Damping spring top and bottom, 1.4401	No.:	27399	<input type="checkbox"/>
Gaskets:	Fibre compound Aramid/NBR (<150°C)	Standard	<input type="checkbox"/>
	PTFE, non reinforced, raked (<250°C)		<input type="checkbox"/>
	Graphite incl. reinforcing net in ss 316/316L (<400°C)		<input type="checkbox"/>

Process connections:

EN-Connecting Flanges acc. EN1092-1 (Standard):	DN15:	<input type="checkbox"/>
- EN1092-1/01 A/DNxx/PN40/316L	DN20:	<input type="checkbox"/>
- plate flanges, FF, Rz=12,5 ... 50µm, turning	DN25:	<input type="checkbox"/>

ANSI/class150 (= ISO/PN20) - connecting flanges:

- ANSI/ASME B16.5 / ISO-DIS7005-1.2, type 01/B1	ANSI 1/2" resp. ISO DN15 :	<input type="checkbox"/>
- plate flanges, RF SF, Rz=12,5 ... 50µm, turning	ANSI 3/4" resp. ISO DN20 :	<input type="checkbox"/>
	ANSI 1" resp. ISO DN25 :	<input type="checkbox"/>

Other Connections

Drain connection thread (Standard) (for vent see price list):

G3/8" (ISO7-1/ISO228-1) with plug R3/8" (ISO7-1) and PTFE tape (<=250°C)	<input type="checkbox"/>
G3/8" (ISO7-1/ISO228-1) with plug G3/8" (ISO228-1) and NiCu gasket (>250°C)	<input type="checkbox"/>

Indication Rail:

PC, IP65 (<150°C)	Flaps: red-silver	No.:	34837	Standard	<input type="checkbox"/>
PC, IP68, inert gas (<150°C)	Flaps: red-silver	No.:	41008		<input type="checkbox"/>
Al/PC, IP54 (<250°C)	Flaps: red-silver	No.:	34560		<input type="checkbox"/>
Al/glass, IP54 (<400°C)	Flaps: black-silver	No.:	37100		<input type="checkbox"/>
Special	Flaps:	No.:			<input type="checkbox"/>

Accessories (installation instructions see spec. no. 20010501)

Fixation bracket no. 26936:	dimension "A" [mm]:	
Magnetic switch:	quantity:	type:
Transmitter:	resolution [mm]:	type:
	measuring length M _{el.} [mm]:	
Converter:	type:	
Further accessories:		

Test reports and certificates:

EN10204:2004-3.1 certificate for used materials of the float chamber:	<input type="checkbox"/>
-----------------------------------------------------------------------	--------------------------

Special executions and notes:

Notes:

*1) Refer to pressure-temperature rating! Lowest pressure-temperature rating of any connecting flange or fitting will set the limitation!
Test pressure will be specified according to WEKA specification AW 2.1.2.

*2) With special reduction flanges.

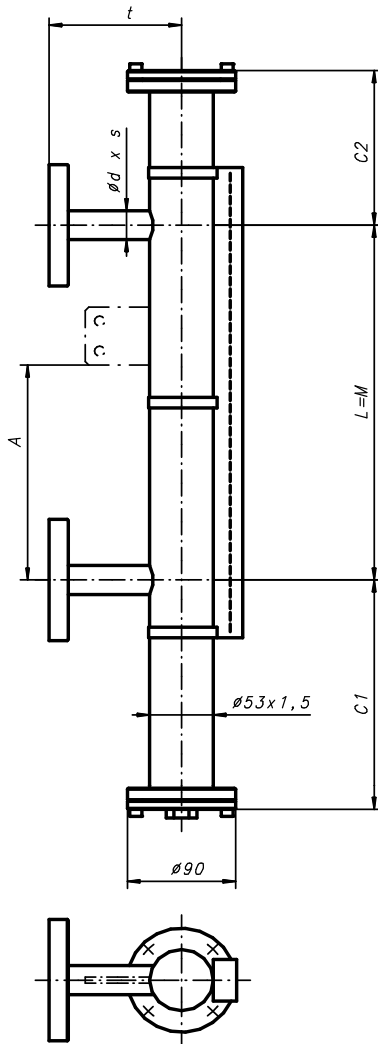
*3) Depending on size of connecting flanges.

All indicated dimensions in mm. All dimensions are only valid on VLI in standard execution.

Standard Series 6

Type: 23614-0

Design meets the requirements of PED 97/23/EC and harmonized standards



Purchase Order Data:

Company:
Purchase order no.:
Quantity:

Project:	
Tag no.:	

Operating Conditions

Fluid:		
Density:	≥ 0.65g/cm3	g/cm3:
Viscosity:	≤ 600cSt	cSt:
Operating pressure:	max. 6bar(g) @ 20°C *1)	bar(g):
Design pressure:	"	bar(g):
Operating temperature:	-80°C ... +150°C *1)	°C:
Design temperature:	"	°C:
Connecting Distance "L":	max. 5600mm (one-piece design)	mm:

Design and Materials:

Float chamber:	316/316L	Screws and nuts:	A2-70, ISO 3506
Float:	316L (Standard)	type no.:	36223/20 / 38662/20
	NBR	type no.:	39525/0.8 / 1.0 / 1.2
		type no.:	

other materials and densities see float selection diagram or on request

Damping spring top and bottom, 1.4401	No.:	27399	<input type="checkbox"/>
Gaskets:	Fibre compound Aramid/NBR (<150°C)	Standard	<input type="checkbox"/>
	PTFE, non reinforced, raked (<250°C)		<input type="checkbox"/>
	Graphite incl. reinforcing net in ss 316/316L (<400°C)		<input type="checkbox"/>

Process connections:

EN-Connecting Flanges acc. EN1092-1 (Standard):	DN15:	<input type="checkbox"/>
- EN1092-1/01 A/DNxx/PN40/316L	DN20:	<input type="checkbox"/>
- plate flanges, FF, Rz=12,5 ... 50µm, turning	DN25:	<input type="checkbox"/>

ANSI/class150 (= ISO/PN20) - connecting flanges:

- ANSI/ASME B16.5 / ISO-DIS7005-1.2, type 01/B1	ANSI 1/2" resp. ISO DN15 :	<input type="checkbox"/>
- plate flanges, RF SF, Rz=12,5 ... 50µm, turning	ANSI 3/4" resp. ISO DN20 :	<input type="checkbox"/>
	ANSI 1" resp. ISO DN25 :	<input type="checkbox"/>

Other Connections

--

Drain connection thread (Standard) (for vent see price list):

G3/8" (ISO7-1/ISO228-1) with plug R3/8" (ISO7-1) and PTFE tape (<=250°C)	<input type="checkbox"/>
G3/8" (ISO7-1/ISO228-1) with plug G3/8" (ISO228-1) and NiCu gasket (>250°C)	<input type="checkbox"/>

Indication Rail:

PC, IP65 (<150°C)	Flaps: red-silver	No.:	34837	Standard	<input type="checkbox"/>
PC, IP68, inert gas (<150°C)	Flaps: red-silver	No.:	41008		<input type="checkbox"/>
Al/PC, IP54 (<250°C)	Flaps: red-silver	No.:	34560		<input type="checkbox"/>
Al/glass, IP54 (<400°C)	Flaps: black-silver	No.:	37100		<input type="checkbox"/>
Special	Flaps:	No.:			<input type="checkbox"/>

Accessories (installation instructions see spec. no. 20010501)

Fixation bracket no. 26936:	dimension "A" [mm]:	
Magnetic switch:	quantity:	type:
Transmitter:	resolution [mm]:	type:
	measuring length M _{el} [mm]:	
Converter:	type:	
Further accessories:		

Test reports and certificates:

EN10204:2004-3.1 certificate for used materials of the float chamber:	<input type="checkbox"/>
-----------------------------------------------------------------------	--------------------------

Special executions and notes:

--

Float extension lower / upper:

	C1:	C2:
Standard	180	130
C1 & C2 shorter or longer, if out of standard range or with damping springs		

Standard flange connections:

	EN	ANSI/ISO
Connection pieces, d*s:		
DN15:	21.3*2.0	21.3*2.0
DN20:	26.9*2.0	26.9*2.0
DN25:	33.7*2.0	33.7*2.0
≥ DN32 *2):	33.7*2.0	33.7*2.0
Dimension t:		
DN15:	110	110
DN20:	110	110
DN25:	110	110
≥ DN32 *2):	tba on request 3):	

Notes:

*1) Refer to pressure-temperature rating! Lowest pressure-temperature rating of any connecting flange or fitting will set the limitation!
Test pressure will be specified according to WEKA specification AW 2.1.2.

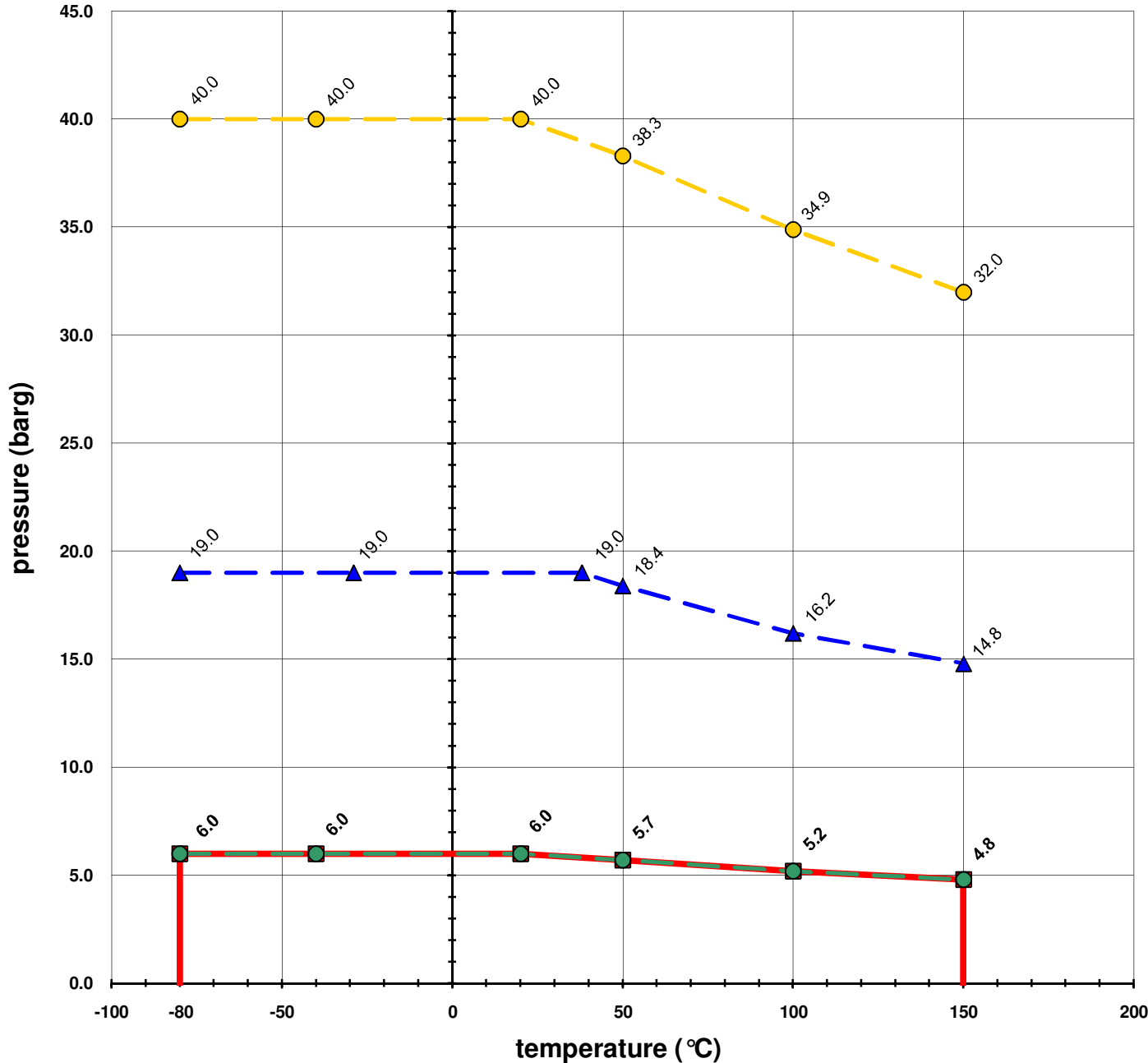
*2) With special reduction flanges.

*3) Depending on size of connecting flanges.

All indicated dimensions in mm. All dimensions are only valid on VLI in standard execution.

Pressure-temperature-rating for VLI Standard 6, type 23614

Max. 6bar(g) @ 20 °C, up to max. 150 °C for VLI bypass float chamber in SS EN 1.4401, 1.4436 / 1.4404, 1.4435 resp. ANSI 316/316L



■ VLI Standard Series PN6, all types 23614.
 Note:
 Tolerated max pressure@specified temperature of the VLI is given either by the bypass tube or by the connection flanges
 --- Lower value sets the limitation! ---

● EN/DIN PN40 flanges in SS 1.4404/1.4435
 Notes:
 - EN/DIN flanges PN25 and PN40 up to DN150 have identical interface dimensions (acc. to EN1092-1)
 --- Applied flanges are PN40! ---
 - EN/DIN flanges PN10 and PN16 up to DN40 have identical interface dimensions as PN40 flanges (acc. to EN1092-1)
 --- Applied flanges are PN40! ---

▲ ANSI class150 flanges, material group 2.2.
 Applied flanges are double certified 316/316L (acc. to ANSI/ASME B16.5 and also acc. to ISO 7005-1:1992 PN20)

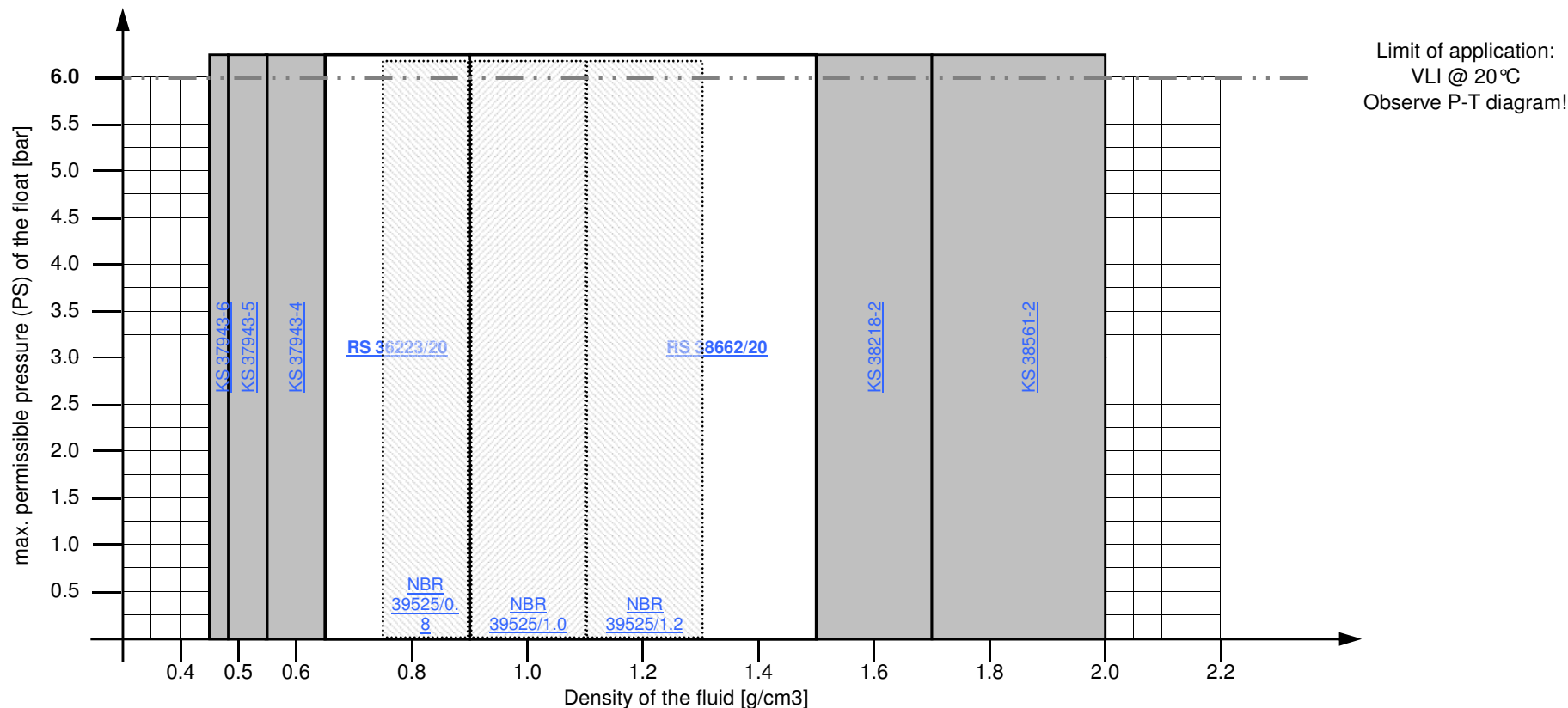
● EN/DIN PN6 flanges in SS 1.4404/1.4435
 Notes:
 Equal graph as VLI Standard Series PN6

Other flanges on request!

Float selection diagram

VLI Typ 23614, Standard Line 6

These data apply for an operating temperature of $\leq 20^\circ\text{C}$.
 For higher operating temperatures, please check the max. permissible float pressure on the respective data sheet.



Comments:

NBR = foamed plastic float
 RS = cylindrical float
 KS = ball float

Example 39525/X.X = density range of the floats in g/cm³
 Example 36223/XX = max. permissible pressure in bar @ 20°C
 Example 37943-X = number of balls

Material = NBR
 Material = 316L
 Material = Titan Alloy

Attention: Check media compatibility

Interior diameter of the float chamber = 50.0mm

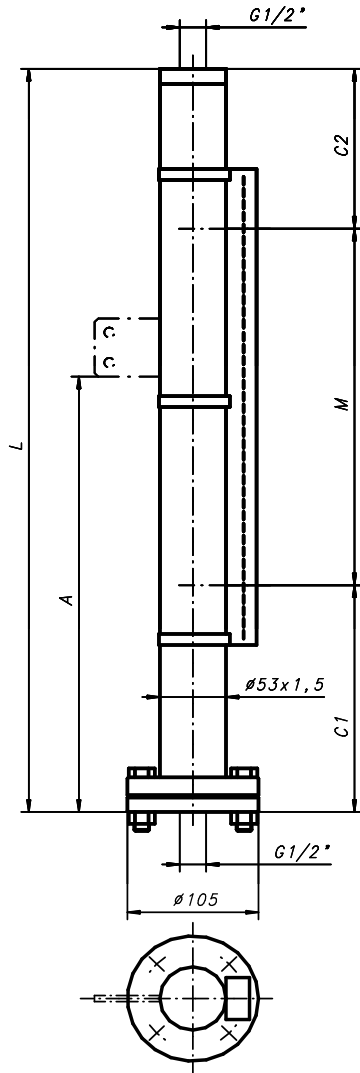
For steam or condensate applications, please check the use of damping springs

Additional charge for densities < 0.65g/cm³ and > 1.50g/cm³ due to extended length of bottom float run-out and ball float with more than 4 balls

Standard Series 28

Type: 34300-A

Design meets the requirements of PED 97/23/EC and harmonized standards



Float extension lower / upper:

	C1:	C2:
Standard	190	130

C1 & C2 shorter or longer, if out of standard range or with damping springs

Purchase Order Data:

Company:
Purchase order no.:
Quantity:

Project:	
Tag no.:	

Operating Conditions

Fluid:
Density: $\geq 0.55\text{g/cm}^3$ g/cm3:
Viscosity: $\leq 600\text{cSt}$ cSt:
Operating pressure: max. 28bar(g) @ 20 °C *1) bar(g):
Design pressure: " bar(g):
Operating temperature: -100 °C ... +400 °C *1) °C:
Design temperature: " °C:
Connecting Distance "L": max. 5800mm (one-piece design) mm:

g/cm3:	
cSt:	
bar(g):	
bar(g):	
°C:	
°C:	
mm:	

Design and Materials:

Float chamber: 316&316L Screws and nuts: A2-70, ISO 3506
Float: 316L (Standard) type no.: 36223/20 / 38662/20
Ti alloy type no.: 37943-2 / -3 / -4
type no.:

other materials and densities see float selection diagram or on request

Damping spring top and bottom, 1.4401 No.: 27399
Gaskets: Fibre compound Aramid/NBR (<150 °C) Standard
PTFE, non reinforced, racked (<250 °C)
Graphite incl. reinforcing net in SS 316 (<400 °C)

Process connections:

Connection threads:
- female G1/2" (ISO 7-1 / ISO 228-1), without plug
- other connection threads see price list

Standard	
----------	--

Indication Rail:

PC, IP65 (<150 °C)
PC, IP68, inert gas (<150 °C)
Al/PC, IP54 (<250 °C)
Al/glass, IP54 (<400 °C)
Special

Flaps: red-silver No.: 34837 Standard
Flaps: red-silver No.: 41008
Flaps: red-silver No.: 34560
Flaps: black-silver No.: 37100
Flaps: No.:

Accessories (installation instructions see spec. no. 20010501)

Fixation bracket no. 26936:	dimension "A" [mm]:	
Magnetic switch:	quantity:	type:
Transmitter:	resolution [mm]:	type:
	measuring length M_{el} [mm]:	
Converter:	type:	
Further accessories:		

Test reports and certificates:

EN10204:2004-3.1 certificate for used materials of the float chamber:

Special executions and notes:

--

Notes:

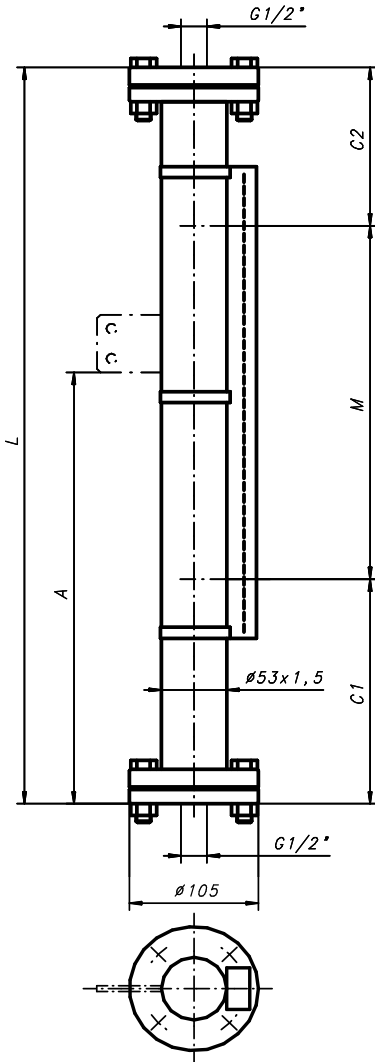
*1) Refer to pressure-temperature rating! Lowest pressure-temperature rating of any connecting flange or fitting will set the limitation!
Test pressure will be specified according to WEKA specification AW 2.1.2.

All indicated dimensions in mm. All dimensions are only valid on VLI in standard execution.

Standard Series 28

Type: 34300-B

Design meets the requirements of PED 97/23/EC and harmonized standards



Float extension lower / upper:

	C1:	C2:
Standard	190	135

C1 & C2 shorter or longer, if out of standard range or with damping springs

Purchase Order Data:

Company:	Project:
Purchase order no.:	
Quantity:	Tag no.:

Operating Conditions

Fluid:		
Density:	≥ 0.55g/cm3	g/cm3:
Viscosity:	≤ 600cSt	cSt:
Operating pressure:	max. 28bar(g) @ 20 °C *1)	bar(g):
Design pressure:	"	bar(g):
Operating temperature:	-100 °C ... +400 °C *1)	°C:
Design temperature:	"	°C:
Connecting Distance "L":	max. 5800mm (one-piece design)	mm:

Design and Materials:

Float chamber:	316&316L	Screws and nuts:	A2-70, ISO 3506
Float:	316L (Standard)	type no.:	36223/20 / 38662/20
	Ti alloy	type no.:	37943-2 / -3 / -4
		type no.:	

other materials and densities see float selection diagram or on request

Damping spring top and bottom, 1.4401	No.:	27399	<input type="checkbox"/>
Gaskets:	Fibre compound Aramid/NBR (<150 °C)	Standard	<input type="checkbox"/>
	PTFE, non reinforced, raked (<250 °C)		<input type="checkbox"/>
	Graphite incl. reinforcing net in SS 316 (<400 °C)		<input type="checkbox"/>

Process connections:

Connection threads:

- female G1/2" (ISO 7-1 / ISO 228-1), without plug Standard
- other connection threads see price list

Indication Rail:

PC, IP65 (<150 °C)	Flaps: red-silver	No.:	34837	Standard	<input type="checkbox"/>
PC, IP68, inert gas (<150 °C)	Flaps: red-silver	No.:	41008		<input type="checkbox"/>
Al/PC, IP54 (<250 °C)	Flaps: red-silver	No.:	34560		<input type="checkbox"/>
Al/glass, IP54 (<400 °C)	Flaps: black-silver	No.:	37100		<input type="checkbox"/>
Special	Flaps:	No.:			<input type="checkbox"/>

Accessories (installation instructions see spec. no. 20010501)

Fixation bracket no. 26936:	dimension "A" [mm]:	
Magnetic switch:	quantity:	type:
Transmitter:	resolution [mm]:	type:
	measuring length M _{el.} [mm]:	
Converter:	type:	
Further accessories:		

Test reports and certificates:

EN10204:2004-3.1 certificate for used materials of the float chamber:

Special executions and notes:

Notes:

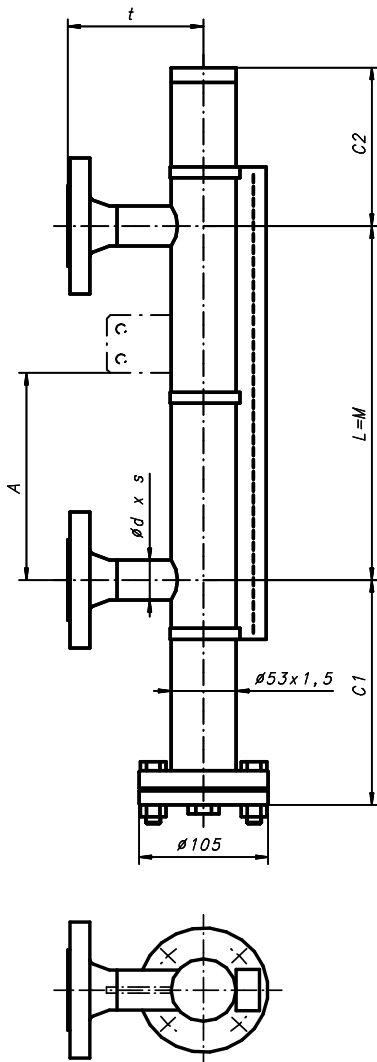
*1) Refer to pressure-temperature rating! Lowest pressure-temperature rating of any connecting flange or fitting will set the limitation!
Test pressure will be specified according to WEKA specification AW 2.1.2.

All indicated dimensions in mm. All dimensions are only valid on VLI in standard execution.

Standard Series 28

Type: 34300-K

Design meets the requirements of PED 97/23/EC and harmonized standards



Float extension lower / upper:

	C1:	C2:
Standard	190	130

C1 & C2 shorter or longer, if out of standard range or with damping springs

Standard flange connections:

	EN	ANSI/ISO
Connection pieces, d*s:		
DN15:	21.3*2.0	21.3*2.0
DN20:	26.9*2.0	26.9*2.0
DN25:	33.7*2.0	33.7*2.0
≥ DN32 *2):	33.7*2.0	33.7*2.0
Dimension t:		
DN15:	110	119
DN20:	110	122
DN25:	110	125
≥ DN32 *2):	tba on request 3):	

Purchase Order Data:

Company:
Purchase order no.:
Quantity:

Project:	
Tag no.:	

Operating Conditions

Fluid:		
Density:	≥ 0.55g/cm3	g/cm3:
Viscosity:	≤ 600cSt	cSt:
Operating pressure:	max. 28bar(g) @ 20 °C *1)	bar(g):
Design pressure:	"	bar(g):
Operating temperature:	-100 °C ... +400 °C *1)	°C:
Design temperature:	"	°C:
Connecting Distance "L":	max. 5600mm (one-piece design)	mm:

Design and Materials:

Float chamber:	316&316L	Screws and nuts:	A2-70, ISO 3506
Float:	316L (Standard)	type no.:	36223/20 / 38662/20
	Ti alloy	type no.:	37943-2 / -3 / -4
		type no.:	

other materials and densities see float selection diagram or on request

Damping spring top and bottom, 1.4401	No.:	27399	<input type="checkbox"/>
Gaskets:	Fibre compound Aramid/NBR (<150°C)	Standard	<input type="checkbox"/>
	PTFE, non reinforced, raked (<250°C)		<input type="checkbox"/>
	Graphite incl. reinforcing net in SS 316 (<400°C)		<input type="checkbox"/>

Process connections:

EN-Connecting Flanges acc. EN1092-1 (Standard):

- EN1092-1/11 B1/DNxx/PN40/316L	DN15:	<input type="checkbox"/>
- wn-flange, RF, Rz=12,5 ... 50µm, turning	DN20:	<input type="checkbox"/>
	DN25:	<input type="checkbox"/>

ANSI/class150 (= ISO/PN20) - connecting flanges:

- ANSI/ASME B16.5 / ISO-DIS7005-1.2, type 11/B1	ANSI 1/2" resp. ISO DN15 :	<input type="checkbox"/>
- wn-flanges, RF SF, Rz=12,5 ... 50µm, turning	ANSI 3/4" resp. ISO DN20 :	<input type="checkbox"/>
	ANSI 1" resp. ISO DN25 :	<input type="checkbox"/>

Other Connections

--

Drain connection thread (Standard) (for vent see price list):

G3/8" (ISO7-1/ISO228-1) with plug R3/8" (ISO7-1) and PTFE tape (<=250°C)	<input type="checkbox"/>
G3/8" (ISO7-1/ISO228-1) with plug G3/8" (ISO228-1) and Ni gasket (>250°C)	<input type="checkbox"/>

Indication Rail:

PC, IP65 (<150°C)	Flaps: red-silver	No.:	34837	Standard	<input type="checkbox"/>
PC, IP68, inert gas (<150°C)	Flaps: red-silver	No.:	41008		<input type="checkbox"/>
Al/PC, IP54 (<250°C)	Flaps: red-silver	No.:	34560		<input type="checkbox"/>
Al/glass, IP54 (<400°C)	Flaps: black-silver	No.:	37100		<input type="checkbox"/>
Special	Flaps:	No.:			<input type="checkbox"/>

Accessories (installation instructions see spec. no. 20010501)

Fixation bracket no. 26936:	dimension "A" [mm]:	
Magnetic switch:	quantity:	type:
Transmitter:	resolution [mm]:	type:
	measuring length M _{el} [mm]:	
Converter:	type:	
Further accessories:		

Test reports and certificates:

EN10204:2004-3.1 certificate for used materials of the float chamber:	<input type="checkbox"/>
-----------------------------------------------------------------------	--------------------------

Special executions and notes:

--

Notes:

*1) Refer to pressure-temperature rating! Lowest pressure-temperature rating of any connecting flange or fitting will set the limitation!
Test pressure will be specified according to WEKA specification AW 2.1.2.

*2) With special reduction flanges.

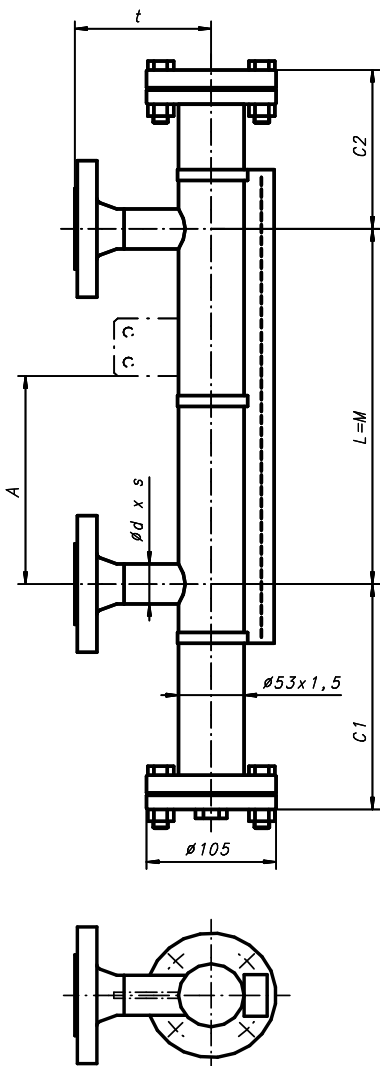
*3) Depending on size of connecting flanges.

All indicated dimensions in mm. All dimensions are only valid on VLI in standard execution.

Standard Series 28

Type: 34300-O

Design meets the requirements of PED 97/23/EC and harmonized standards



Float extension lower / upper:

	C1:	C2:
Standard	190	135

C1 & C2 shorter or longer, if out of standard range or with damping springs

Standard flange connections:

	EN	ANSI/ISO
Connection pieces, d*s:		
DN15:	21.3*2.0	21.3*2.0
DN20:	26.9*2.0	26.9*2.0
DN25:	33.7*2.0	33.7*2.0
≥ DN32 *2):	33.7*2.0	33.7*2.0
Dimension t:		
DN15:	110	119
DN20:	110	122
DN25:	110	125
≥ DN32 *2):	tba on request 3):	

Purchase Order Data:

Company:	Project:
Purchase order no.:	
Quantity:	Tag no.:

Operating Conditions

Fluid:		
Density:	≥ 0.55g/cm3	g/cm3:
Viscosity:	≤ 600cSt	cSt:
Operating pressure:	max. 28bar(g) @ 20 °C *1)	bar(g):
Design pressure:	"	bar(g):
Operating temperature:	-100 °C ... +400 °C *1)	°C:
Design temperature:	"	°C:
Connecting Distance "L":	max. 5600mm (one-piece design)	mm:

Design and Materials:

Float chamber:	316&316L	Screws and nuts:	A2-70, ISO 3506
Float:	316L (Standard)	type no.:	36223/20 / 38662/20
	Ti alloy	type no.:	37943-2 / -3 / -4
		type no.:	

other materials and densities see float selection diagram or on request

Damping spring top and bottom, 1.4401	No.:	27399	<input type="checkbox"/>
Gaskets:	Fibre compound Aramid/NBR (<150°C)	Standard	<input type="checkbox"/>
	PTFE, non reinforced, racked (<250°C)		<input type="checkbox"/>
	Graphite incl. reinforcing net in SS 316 (<400°C)		<input type="checkbox"/>

Process connections:

EN-Connecting Flanges acc. EN1092-1 (Standard):	DN15:	<input type="checkbox"/>
- EN1092-1/11 B1/DNxx/PN40/316L	DN20:	<input type="checkbox"/>
- wn-flange, RF, Rz=12,5 ... 50µm, turning	DN25:	<input type="checkbox"/>

ANSI/class150 (= ISO/PN20) - connecting flanges:

- ANSI/ASME B16.5 / ISO-DIS7005-1.2, type 11/B1	ANSI 1/2" resp. ISO DN15 :	<input type="checkbox"/>
- wn-flanges, RF SF, Rz=12,5 ... 50µm, turning	ANSI 3/4" resp. ISO DN20 :	<input type="checkbox"/>
	ANSI 1" resp. ISO DN25 :	<input type="checkbox"/>

Other Connections

--

Drain connection thread (Standard) (for vent see price list):

G3/8" (ISO7-1/ISO228-1) with plug R3/8" (ISO7-1) and PTFE tape (<=250°C)	<input type="checkbox"/>
G3/8" (ISO7-1/ISO228-1) with plug G3/8" (ISO228-1) and Ni gasket (>250°C)	<input type="checkbox"/>

Indication Rail:

PC, IP65 (<150°C)	Flaps: red-silver	No.:	34837	Standard	<input type="checkbox"/>
PC, IP68, inert gas (<150°C)	Flaps: red-silver	No.:	41008		<input type="checkbox"/>
Al/PC, IP54 (<250°C)	Flaps: red-silver	No.:	34560		<input type="checkbox"/>
Al/glass, IP54 (<400°C)	Flaps: black-silver	No.:	37100		<input type="checkbox"/>
Special	Flaps:	No.:			<input type="checkbox"/>

Accessories (installation instructions see spec. no. 20010501)

Fixation bracket no. 26936:	dimension "A" [mm]:	
Magnetic switch:	quantity:	type:
Transmitter:	resolution [mm]:	type:
	measuring length M _{el} [mm]:	
Converter:	type:	
Further accessories:		

Test reports and certificates:

EN10204:2004-3.1 certificate for used materials of the float chamber:	<input type="checkbox"/>
-----------------------------------------------------------------------	--------------------------

Special executions and notes:

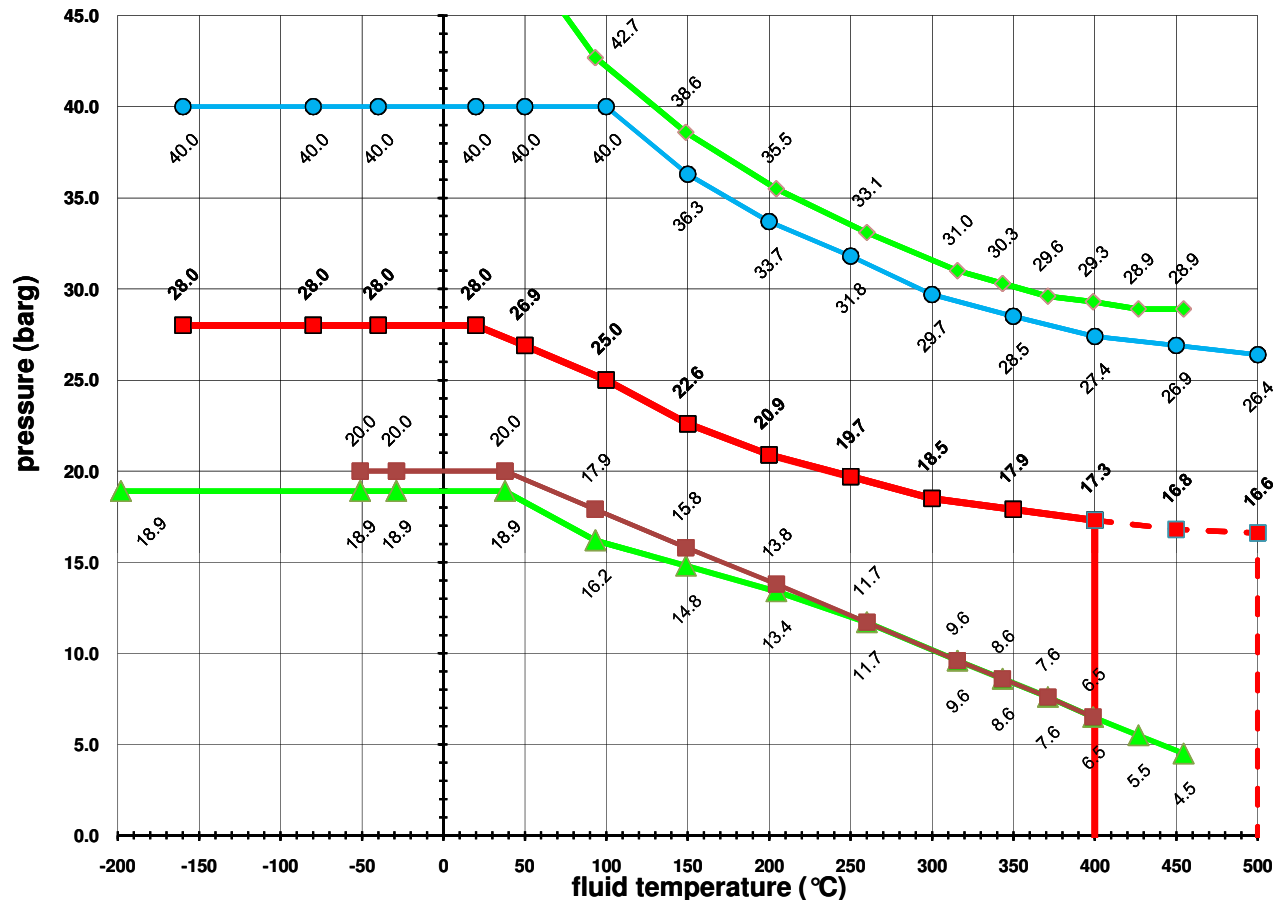
--

Notes:

- *1) Refer to pressure-temperature rating! Lowest pressure-temperature rating of any connecting flange or fitting will set the limitation! Test pressure will be specified according to WEKA specification AW 2.1.2.
 - *2) With special reduction flanges.
 - *3) Depending on size of connecting flanges.
- All indicated dimensions in mm. All dimensions are only valid on VLI in standard execution.

Pressure-temperature-rating for VLI Standard 28, type 34300

Max. 28bar(g) @ 20 °C, up to max. 500 °C for VLI bypass float chamber in SS EN 1.4401, 1.4436 & 1.4404, 1.4435 resp. ANSI 316&316L

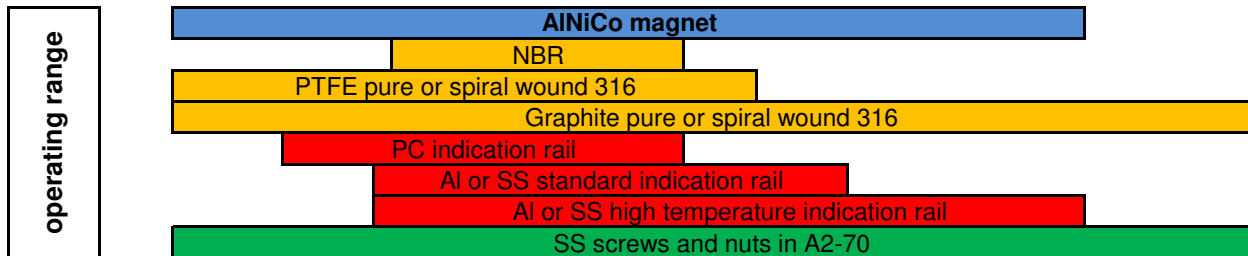


- VLI StandardLine 28
all types 34300 (-A, -B, -K, -O)
- - - Additional range of float chamber
without float and magnet
- EN 1092-1 PN40 flanges
Double certified 1.4401/1.4436 &
1.4404/1.4435
Material group 13E0
- ▲ ANSI B16.5 class150 flanges
ISO 7005-1 PN20
Double certified 316&316L
Material group 2.2 resp. 2A2
- ANSI B16.5 class150 flanges
1.4462 (Duplex)
Material group 2.8
ASTM A182 Gr. F51
- ◆ ANSI B16.5 class300 flanges
ISO 7005-1 PN50
Double certified 316&316L
Material group 2.2 resp. 2A2

Other flanges on request

Notes:

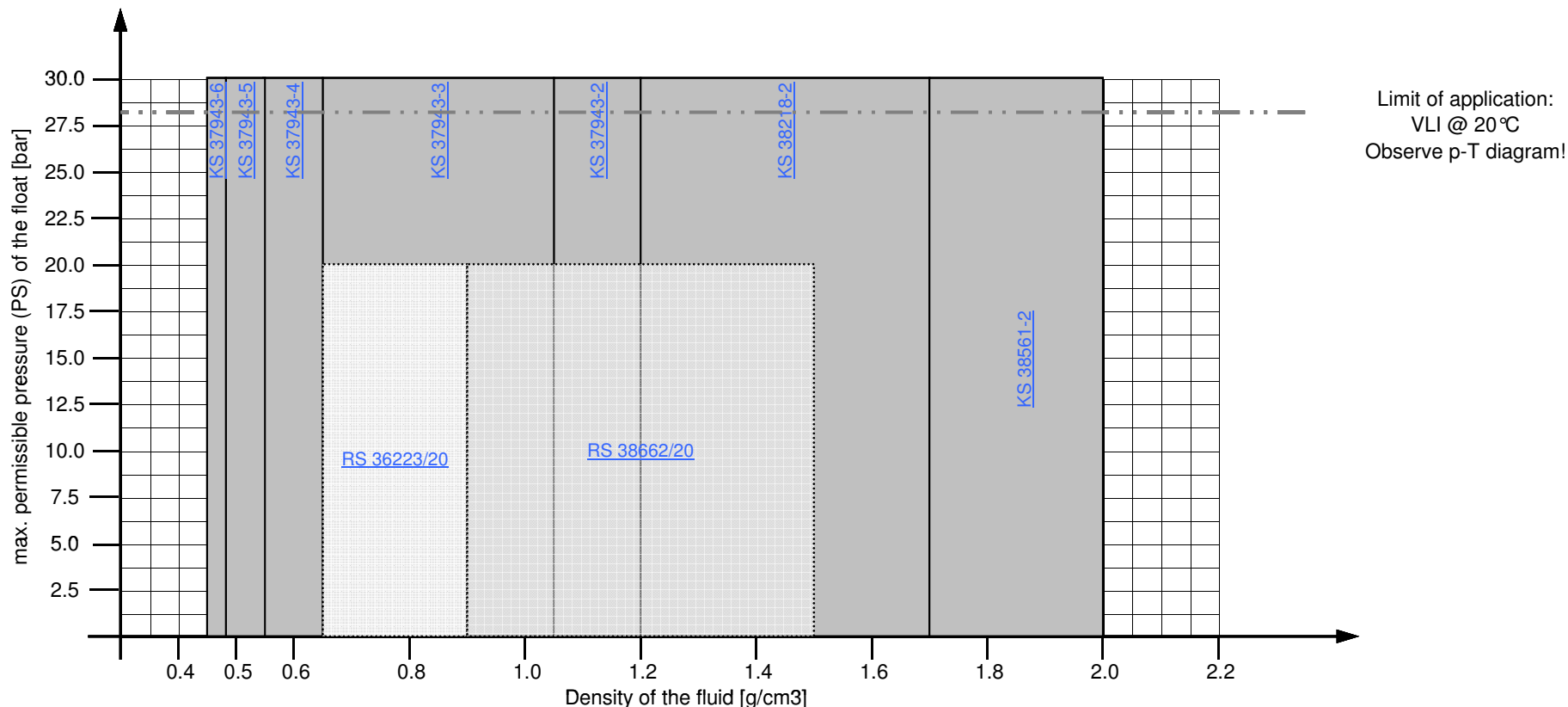
- EN1092-1 flanges PN25 and PN40 up to DN150 have identical interface dimensions
- Tolerated max pressure @ specified temperature of the VLI is given either by the bypass tube or by the connection flanges
- Lower value sets the limitation! ---



Float selection diagram VLI Typ 34300, Standard Line 28

These data apply for an operating temperature of $\leq 20^\circ\text{C}$.

For higher operating temperatures, please check the max. permissible float pressure on the respective data sheet.



Comments:

RS = cylindrical float

KS = ball float

Interior diameter of the float chamber = 50.0mm

For steam or condensate applications, please check the use of damping springs

Additional charge for densities $< 0.55\text{g/cm}^3$ due to extended length of bottom float run-out and ball float with more than 4 balls

Example 38662/XX = max. permissible pressure in bar @ 20°C

Example 37943-X = number of balls

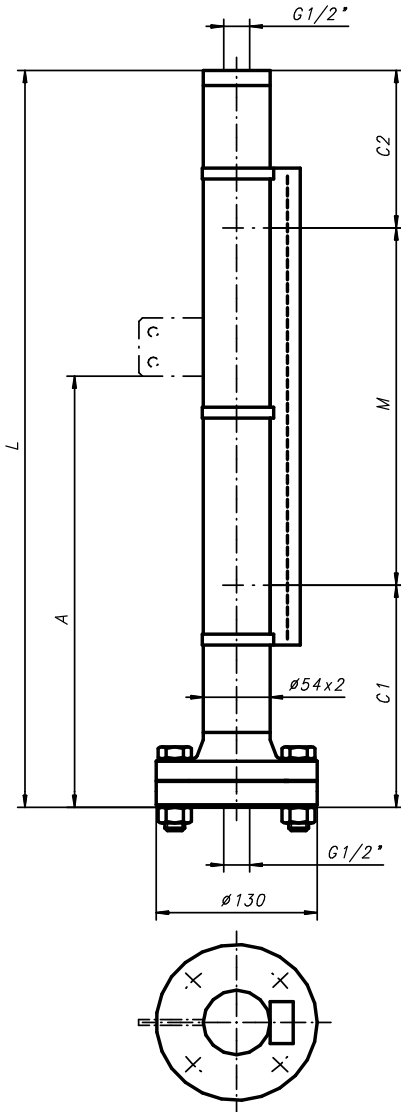
Material = 316L

Material = Titan Alloy

Standard Series 50

Type: 32755-A

Design meets the requirements of PED 97/23/EC and harmonized standards



Float extension lower / upper:

	C1:	C2:
Standard	190	135

C1 & C2 shorter or longer, if out of standard range or with damping springs

Purchase Order Data:

Company: Project:
 Purchase order no.:
 Quantity: Tag no.:

Operating Conditions

Fluid:
 Density: $\geq 0.55\text{g/cm}^3$ g/cm3:
 Viscosity: $\leq 600\text{cSt}$ cSt:
 Operating pressure: max. 50bar(g) @ 20°C *1) bar(g):
 Design pressure: " bar(g):
 Operating temperature: -80°C ... +400°C *1) °C:
 Design temperature: " °C:
 Connecting Distance "L": max. 5800mm (one-piece design) mm:

Design and Materials:

Float chamber: 316/316L Screws and nuts: A2-70, ISO 3506
 Float: Ti alloy (Standard) type no.: **37943-2 / -3 / -4**
 type no.:

other materials and densities see float selection diagram or on request

Damping spring top and bottom, 1.4401 No.: 27399
 Gaskets: Fibre compound Aramid/NBR (<150°C) Standard
 PTFE, non reinforced, raked (<250°C)
 Graphite incl. reinforcing net in ss 316/316L (<400°C)

Process connections:

Connection threads:
 - female G1/2" (ISO 7-1 / ISO 228-1), without plug Standard
 - other connection threads see price list

Indication Rail:

PC, IP65 (<150°C)	Flaps: red-silver	No.: 34837	Standard <input type="checkbox"/>
PC, IP68, inert gas (<150°C)	Flaps: red-silver	No.: 41008	<input type="checkbox"/>
Al/PC, IP54 (<250°C)	Flaps: red-silver	No.: 34560	<input type="checkbox"/>
Al/glass, IP54 (<400°C)	Flaps: black-silver	No.: 37100	<input type="checkbox"/>
Special	Flaps: <input type="text"/>	No.: <input type="text"/>	<input type="checkbox"/>

Accessories (installation instructions see spec. no. 20010501)

Fixation bracket no. 26936: dimension "A" [mm]:
 Magnetic switch: quantity: type:
 Transmitter: resolution [mm]: **5 / 10** type:
 measuring length M_{el} [mm]:
 Converter: type:
 Further accessories:

Test reports and certificates:

EN10204:2004-3.1 certificate for used materials of the float chamber:

Special executions and notes:

Notes:

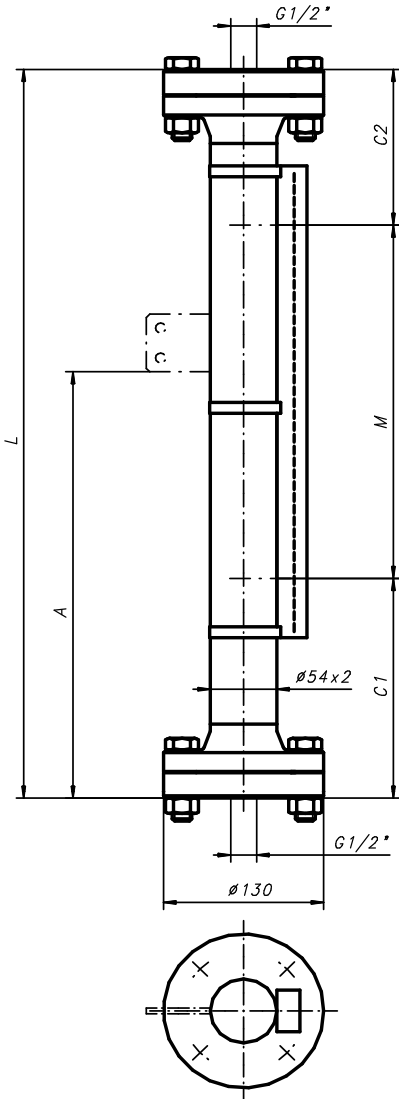
*1) Refer to pressure-temperature rating! Lowest pressure-temperature rating of any connecting flange or fitting will set the limitation!
 Test pressure will be specified according to WEKA specification AW 2.1.2.

All indicated dimensions in mm. All dimensions are only valid on VLI in standard execution.

Standard Series 50

Type: 32755-B

Design meets the requirements of PED 97/23/EC and harmonized standards



Float extension lower / upper:

	C1:	C2:
Standard	190	140

C1 & C2 shorter or longer, if out of standard range or with damping springs

Purchase Order Data:

Company:	Project:
Purchase order no.:	
Quantity:	Tag no.:

Operating Conditions

Fluid:		
Density:	≥ 0.55g/cm3	g/cm3:
Viscosity:	≤ 600cSt	cSt:
Operating pressure:	max. 50bar(g) @ 20°C *1)	bar(g):
Design pressure:	"	bar(g):
Operating temperature:	-80°C ... +400°C *1)	°C:
Design temperature:	"	°C:
Connecting Distance "L":	max. 5800mm (one-piece design)	mm:

Design and Materials:

Float chamber:	316/316L	Screws and nuts:	A2-70, ISO 3506
Float:	Ti alloy (Standard)	type no.:	37943-2 / -3 / -4
		type no.:	

other materials and densities see float selection diagram or on request

Damping spring top and bottom, 1.4401	No.:	27399	<input type="checkbox"/>
Gaskets:	Fibre compound Aramid/NBR (<150°C)	Standard	<input type="checkbox"/>
	PTFE, non reinforced, racked (<250°C)		<input type="checkbox"/>
	Graphite incl. reinforcing net in ss 316/316L (<400°C)		<input type="checkbox"/>

Process connections:

Connection threads:

- female G1/2" (ISO 7-1 / ISO 228-1), without plug Standard
- other connection threads see price list

Indication Rail:

PC, IP65 (<150°C)	Flaps: red-silver	No.:	34837	Standard	<input type="checkbox"/>
PC, IP68, inert gas (<150°C)	Flaps: red-silver	No.:	41008		<input type="checkbox"/>
Al/PC, IP54 (<250°C)	Flaps: red-silver	No.:	34560		<input type="checkbox"/>
Al/glass, IP54 (<400°C)	Flaps: black-silver	No.:	37100		<input type="checkbox"/>
Special	Flaps:	No.:			<input type="checkbox"/>

Accessories (installation instructions see spec. no. 20010501)

Fixation bracket no. 26936:	dimension "A" [mm]:	
Magnetic switch:	quantity:	type:
Transmitter:	resolution [mm]:	type:
	measuring length M _{el.} [mm]:	
Converter:	type:	
Further accessories:		

Test reports and certificates:

EN10204:2004-3.1 certificate for used materials of the float chamber:

Special executions and notes:

Notes:

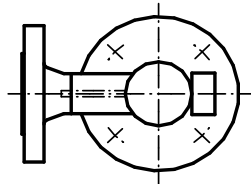
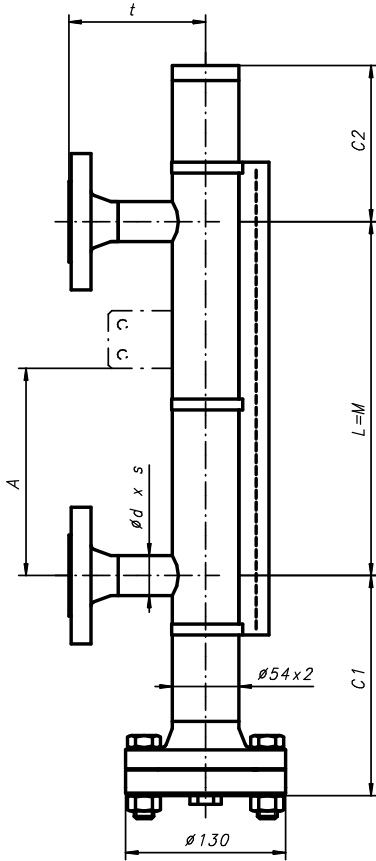
*1) Refer to pressure-temperature rating! Lowest pressure-temperature rating of any connecting flange or fitting will set the limitation!
Test pressure will be specified according to WEKA specification AW 2.1.2.

All indicated dimensions in mm. All dimensions are only valid on VLI in standard execution.

Standard Series 50

Type: 32755-K

Design meets the requirements of PED 97/23/EC and harmonized standards



Float extension lower / upper:

	C1:	C2:
Standard	190	135

C1 & C2 shorter or longer, if out of standard range or with damping springs

Standard flange connections:

	EN	ANSI/ISO
Connection pieces, d*s:		
DN15:	21.3*2.0	21.3*2.0
DN20:	26.9*2.0	26.9*2.0
DN25:	33.7*2.0	33.7*2.0
≥ DN32 *2):	33.7*2.0	33.7*2.0
Dimension t:		
DN15:	110	124
DN20:	110	127
DN25:	110	132
≥ DN32 *2):	tba on request 3):	

Purchase Order Data:

Company:
Purchase order no.:
Quantity:

Project:	
Tag no.:	

Operating Conditions

Fluid:		
Density:	≥ 0.55g/cm3	g/cm3:
Viscosity:	≤ 600cSt	cSt:
Operating pressure:	max. 50bar(g) @ 20 °C *1)	bar(g):
Design pressure:	"	bar(g):
Operating temperature:	-80 °C ... +400 °C *1)	°C:
Design temperature:	"	°C:
Connecting Distance "L":	max. 5600mm (one-piece design)	mm:

Design and Materials:

Float chamber:	316/316L	Screws and nuts:	A2-70, ISO 3506
Float:	Ti alloy (Standard)	type no.:	37943-2 / -3 / -4
		type no.:	

other materials and densities see float selection diagram or on request

Damping spring top and bottom, 1.4401	No.:	27399	
Gaskets:	Fibre compound Aramid/NBR (<150°C)	Standard	<input type="checkbox"/>
	PTFE, non reinforced, raked (<250°C)		<input type="checkbox"/>
	Graphite incl. reinforcing net in ss 316/316L (<400°C)		<input type="checkbox"/>

Process connections:

EN-Connecting Flanges acc. EN1092-1 (Standard):	DN15:	<input type="checkbox"/>
- EN1092-1/11 B1/DNxx/PN40/316L	DN20:	<input type="checkbox"/>
- wn-flange, RF, Rz=12,5 ... 50µm, turning	DN25:	<input type="checkbox"/>

ANSI/class300 (= ISO/PN50) - connecting flanges:

- ANSI/ASME B16.5 / ISO-DIS7005-1.2, type 11/B1	ANSI 1/2" resp. ISO DN15 :	<input type="checkbox"/>
- wn-flanges, RF SF, Rz=12,5 ... 50µm, turning	ANSI 3/4" resp. ISO DN20 :	<input type="checkbox"/>
	ANSI 1" resp. ISO DN25 :	<input type="checkbox"/>

Other Connections

--

Drain connection thread (Standard) (for vent see price list):

G3/8" (ISO7-1/ISO228-1) with plug R3/8" (ISO7-1) and PTFE tape (<250°C)	<input type="checkbox"/>
G3/8" (ISO7-1/ISO228-1) with plug G3/8" (ISO228-1) and NiCu gasket (>250°C)	<input type="checkbox"/>

Indication Rail:

PC, IP65 (<150°C)	Flaps: red-silver	No.:	34837	Standard	<input type="checkbox"/>
PC, IP68, inert gas (<150°C)	Flaps: red-silver	No.:	41008		<input type="checkbox"/>
Al/PC, IP54 (<250°C)	Flaps: red-silver	No.:	34560		<input type="checkbox"/>
Al/glass, IP54 (<400°C)	Flaps: black-silver	No.:	37100		<input type="checkbox"/>
Special	Flaps:	No.:			<input type="checkbox"/>

Accessories (installation instructions see spec. no. 20010501)

Fixation bracket no. 26936:	dimension "A" [mm]:	
Magnetic switch:	quantity:	type:
Transmitter:	resolution [mm]:	type:
	measuring length M _{el} [mm]:	
Converter:	type:	
Further accessories:		

Test reports and certificates:

EN10204:2004-3.1 certificate for used materials of the float chamber:	<input type="checkbox"/>
-----------------------------------------------------------------------	--------------------------

Special executions and notes:

--

Notes:

*1) Refer to pressure-temperature rating! Lowest pressure-temperature rating of any connecting flange or fitting will set the limitation!
Test pressure will be specified according to WEKA specification AW 2.1.2.

*2) With special reduction flanges.

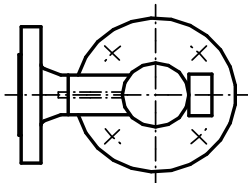
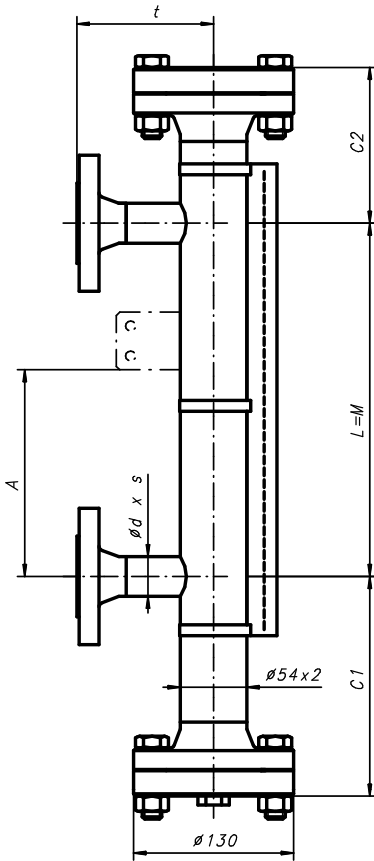
*3) Depending on size of connecting flanges.

All indicated dimensions in mm. All dimensions are only valid on VLI in standard execution.

Standard Series 50

Type: 32755-0

Design meets the requirements of PED 97/23/EC and harmonized standards



Float extension lower / upper:

	C1:	C2:
Standard	190	140

C1 & C2 shorter or longer, if out of standard range or with damping springs

Standard flange connections:

	EN	ANSI/ISO
Connection pieces, d*s:		
DN15:	21.3*2.0	21.3*2.0
DN20:	26.9*2.0	26.9*2.0
DN25:	33.7*2.0	33.7*2.0
≥ DN32 *2):	33.7*2.0	33.7*2.0
Dimension t:		
DN15:	110	124
DN20:	110	127
DN25:	110	132
≥ DN32 *2):	tba on request 3):	

Purchase Order Data:

Company:
Purchase order no.:
Quantity:

Project:	
Tag no.:	

Operating Conditions

Fluid:		
Density:	≥ 0.55g/cm3	g/cm3:
Viscosity:	≤ 600cSt	cSt:
Operating pressure:	max. 50bar(g) @ 20 °C *1)	bar(g):
Design pressure:	"	bar(g):
Operating temperature:	-80 °C ... +400 °C *1)	°C:
Design temperature:	"	°C:
Connecting Distance "L":	max. 5600mm (one-piece design)	mm:

Design and Materials:

Float chamber:	316/316L	Screws and nuts:	A2-70, ISO 3506
Float:	Ti alloy (Standard)	type no.:	37943-2 / -3 / -4
		type no.:	

other materials and densities see float selection diagram or on request

Damping spring top and bottom, 1.4401	No.:	27399	<input type="checkbox"/>
Gaskets:	Fibre compound Aramid/NBR (<150°C)	Standard	<input type="checkbox"/>
	PTFE, non reinforced, raked (<250°C)		<input type="checkbox"/>
	Graphite incl. reinforcing net in ss 316/316L (<400°C)		<input type="checkbox"/>

Process connections:

EN-Connecting Flanges acc. EN1092-1 (Standard):	DN15:	<input type="checkbox"/>
- EN1092-1/11 B1/DNxx/PN40/316L	DN20:	<input type="checkbox"/>
- wn-flange, RF, Rz=12,5 ... 50µm, turning	DN25:	<input type="checkbox"/>

ANSI/class300 (= ISO/PN50) - connecting flanges:	ANSI 1/2" resp. ISO DN15 :	<input type="checkbox"/>
- ANSI/ASME B16.5 / ISO-DIS7005-1.2, type 11/B1	ANSI 3/4" resp. ISO DN20 :	<input type="checkbox"/>
- wn-flanges, RF SF, Rz=12,5 ... 50µm, turning	ANSI 1" resp. ISO DN25 :	<input type="checkbox"/>

Other Connections

--

Drain connection thread (Standard) (for vent see price list):

G3/8" (ISO7-1/ISO228-1) with plug R3/8" (ISO7-1) and PTFE tape (<=250°C)	<input type="checkbox"/>
G3/8" (ISO7-1/ISO228-1) with plug G3/8" (ISO228-1) and NiCu gasket (>250°C)	<input type="checkbox"/>

Indication Rail:

PC, IP65 (<150°C)	Flaps: red-silver	No.:	34837	Standard	<input type="checkbox"/>
PC, IP68, inert gas (<150°C)	Flaps: red-silver	No.:	41008		<input type="checkbox"/>
Al/PC, IP54 (<250°C)	Flaps: red-silver	No.:	34560		<input type="checkbox"/>
Al/glass, IP54 (<400°C)	Flaps: black-silver	No.:	37100		<input type="checkbox"/>
Special	Flaps:	No.:			<input type="checkbox"/>

Accessories (installation instructions see spec. no. 20010501)

Fixation bracket no. 26936:	dimension "A" [mm]:	
Magnetic switch:	quantity:	type:
Transmitter:	resolution [mm]:	type:
	measuring length M _{el} [mm]:	
Converter:	type:	
Further accessories:		

Test reports and certificates:

EN10204:2004-3.1 certificate for used materials of the float chamber:	<input type="checkbox"/>
-----------------------------------------------------------------------	--------------------------

Special executions and notes:

--

Notes:

*1) Refer to pressure-temperature rating! Lowest pressure-temperature rating of any connecting flange or fitting will set the limitation!
Test pressure will be specified according to WEKA specification AW 2.1.2.

*2) With special reduction flanges.

*3) Depending on size of connecting flanges.

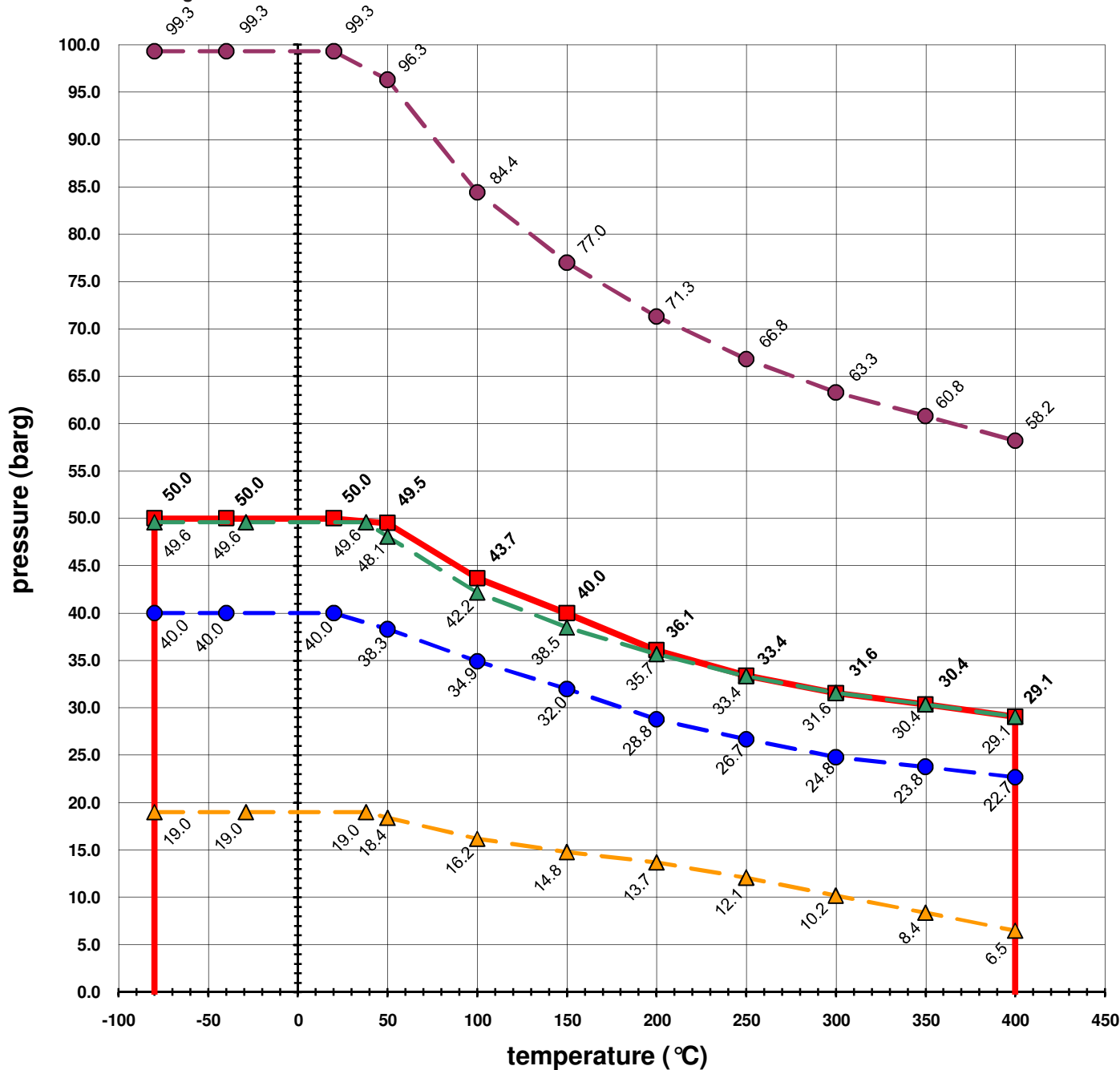
All indicated dimensions in mm. All dimensions are only valid on VLI in standard execution.



www.weka-ag.ch

Pressure-temperature-rating for VLI Standard 50, type 32755

Max. 50bar(g) @ 20°C, up to max. 400°C for VLI bypass float chamber in SS EN 1.4401, 1.4436 / 1.4404, 1.4435 resp. ANSI 316/316L



■ VLI Standard Series PN50, all types 32755.
 Note:
 Tolerated max pressure@specified temperature of the VLI is given either by the bypass tube or by the connection flanges
 --- Lower value sets the limitation! ---

● EN/DIN PN100 flanges in SS 1.4404/1.4435
 Notes:
 - EN/DIN flanges PN63 and PN100 up to DN40 have identical interface dimensions (acc. to EN1092-1)
 --- Applied flanges are PN100! ---

▲ ANSI class300 flanges, material group 2.2.
 Applied flanges are double certified 316/316L (acc. to ANSI/ASME B16.5 and also acc. to ISO 7005-1:1992 PN50)

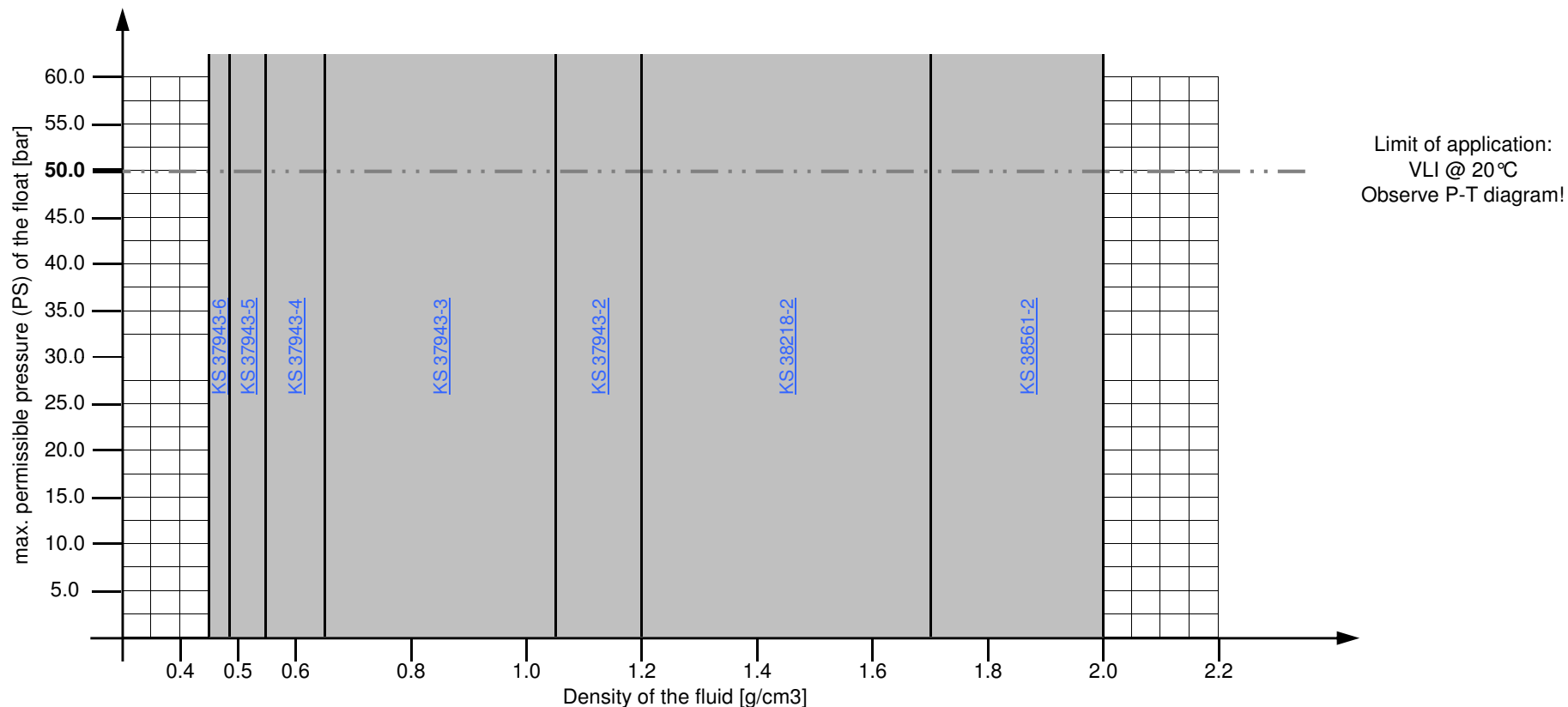
● EN/DIN PN40 flanges in SS 1.4404/1.4435
 Notes:
 - EN/DIN flanges PN25 and PN40 up to DN150 have identical interface dimensions (acc. to EN1092-1)
 --- Applied flanges are PN40! ---

▲ ANSI class150 flanges, material group 2.2.
 Applied flanges are double certified 316/316L (acc. to ANSI/ASME B16.5 and also acc. to ISO 7005-1:1992 PN20)

Other flanges on request!

These data apply for an operating temperature of $\leq 20\text{ }^\circ\text{C}$.

For higher operating temperatures, please check the max. permissible float pressure on the respective data sheet.



Comments:

KS = ball float

Example 37943-X = number of balls

Material = Titan Alloy

Interior diameter of the float chamber = 50.0mm

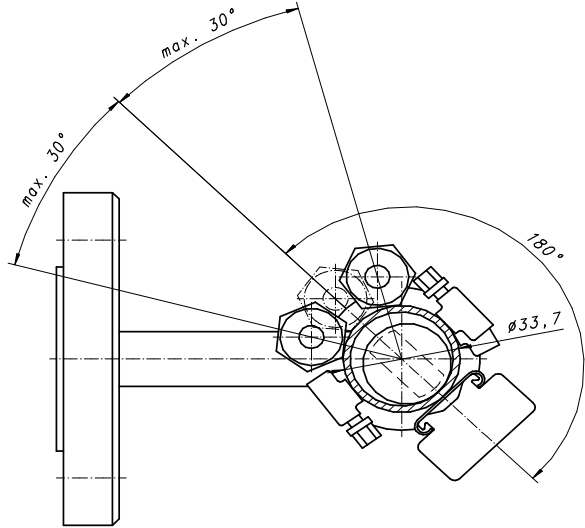
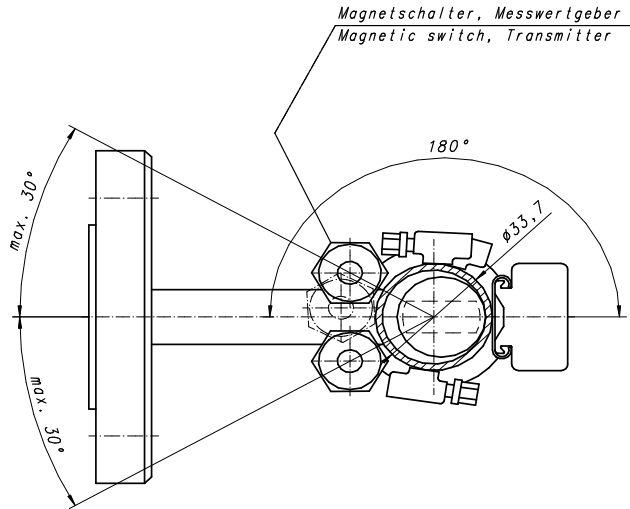
For steam or condensate applications, please check the use of damping springs

Additional charge for densities $< 0.55\text{g/cm}^3$ due to extended length of bottom float run-out and ball float with more than 4 balls

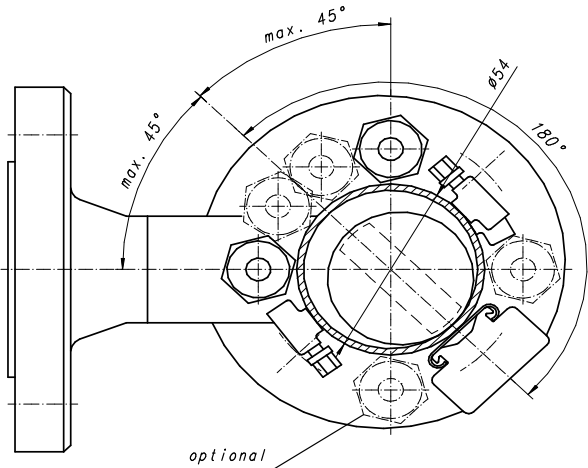
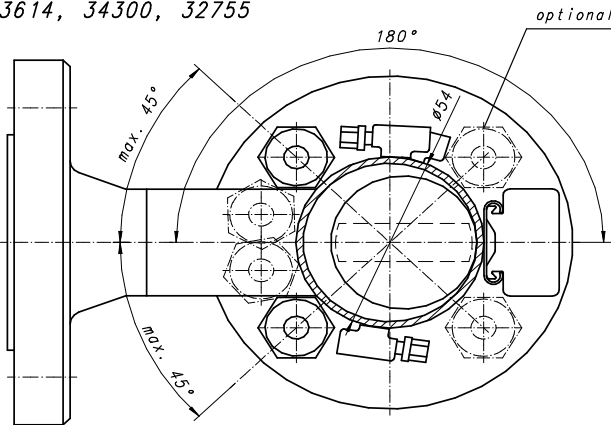
Mounting **Standard:** Valid is the indicated switching function on the type label (float below switch)
Installation 180 °C opposite of the indication rail with the permitted tolerance according to the tube diameter
Cable exit downwards

Variation: Each of the following variants leads to a reversion of the indicated switching logic:
Mounting with cable exit upwards
Mounting adjacent to the indication rail

34000



23614, 34300, 32755



34110

