

# VR7 Series

## Pressure Relief Valve

aerospace  
climate control  
electromechanical  
filtration  
fluid & gas handling  
hydraulics  
pneumatics  
process control  
sealing & shielding

### Customer Value Proposition:

The VR7 Series is an economical relief valve designed to vent excess pressure from a regulator should a minor seat leak occur. This valve is recommended for use with regulators to protect the regulator and outlet pressure gauge and is not intended for applications where repeated or frequent venting is required.

- Choice of seal materials for system compatibility.
- Hex body provides wrench flats.
- Available with a variety of connections.
- Cleaned for O<sub>2</sub> service.



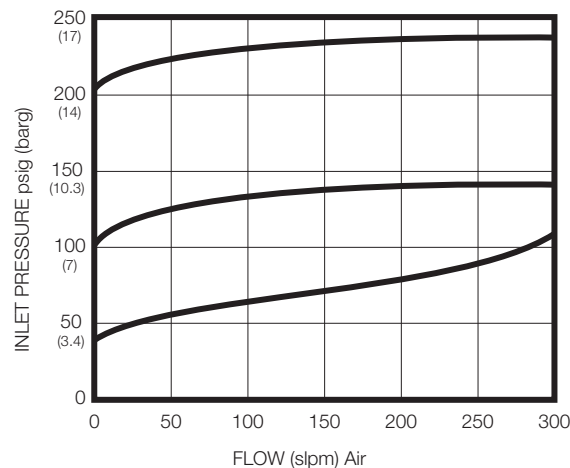
**Note:** The VR7 **SHOULD ONLY** be used to protect Article 3, Paragraph 3 category equipment as defined in Pressure Equipment Directive 97/23/EC Dated 29, May 1997.

### Contact Information:

Parker Hannifin Corporation  
**Veriflo Division**  
250 Canal Blvd  
Richmond, California 94804

phone 510 235 9590  
fax 510 232 7396  
veriflo.sales@parker.com

[www.parker.com/veriflo](http://www.parker.com/veriflo)



*Flow Curve*



ENGINEERING YOUR SUCCESS.

# VR7 Series

## Ordering Information

Build an VR7 Series Pressure Relief Valve by replacing the numbered symbols with an option from the corresponding tables below.

Sample: **VR7** **44MF** **1** **S** **V**  
 Finished Order: **VR744MF1SV**

**1** **Connection (Inlet & Outlet)**  
 44MF = 1/4" NPTM x 1/4" NPTF  
 4FSF = 1/4" FS Female x 1/4" NPTF  
*(available for Stainless Steel body Only)*  
 4FSM = 1/4" FS Male x 1/4" NPTF  
*(available for Stainless Steel body Only)*

**2** **Adjustable Range**  
 1 = 10 - 20 psig  
 2 = 20 - 100 psig  
 3 = 100 - 250 psig  
 4 = 250 - 500 psig

**3** **Body Material**  
 S = 316L Stainless Steel  
 B = Brass

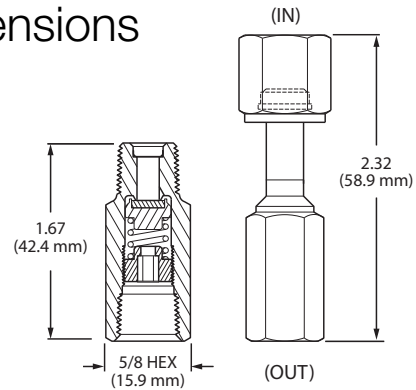
**4** **Seal**  
 K = FFKM  
 V = FKM

**NOTE: After relieving, service is required.**

## Specifications

Materials of Construction	
<b>Wetted</b>	
Body Options	316L Stainless Steel (std) or Brass
Seal	FKM or FFKM
Spring	302 Stainless Steel
Poppet Options	PCTFE (std) or Brass
Screw Options	316L Stainless Steel (std) or Delrin
Operating Conditions	
Maximum Pressure	750 psig (52 barg)
Temperature	-30°F to 400°F (-35°C to 204°C)
Adjustable Ranges	10 - 20 psig (0.6 - 1.4 barg)
	20 - 100 psig (1.4 - 7 barg)
	100 - 250 psig (7 - 17 barg)
	250 - 500 psig (17 - 34 barg)

## Dimensions



## Functional Performance

<b>Flow Capacity</b>	0.37 C <sub>v</sub>
<b>Approx. Weight</b>	2.0 oz. (0.06 kg)

### OFFER OF SALE:

The items described in this document are hereby offered for sale by Parker-Hannifin Corporation, its subsidiaries or its authorized distributors. This offer and its acceptance are governed by the provisions stated in the detailed "Offer of Sale" elsewhere in this document or available at [www.parker.com/veriflo](http://www.parker.com/veriflo)

### ⚠ WARNING USER RESPONSIBILITY

FAILURE OR IMPROPER SELECTION OR IMPROPER USE OF THE PRODUCTS DESCRIBED HEREIN OR RELATED ITEMS CAN CAUSE DEATH, PERSONAL INJURY AND PROPERTY DAMAGE. THIS DOCUMENT IS FOR REFERENCE ONLY. PLEASE CONSULT FACTORY FOR LATEST PRODUCT DRAWINGS AND SPECIFICATIONS

This document and other information from Parker-Hannifin Corporation, its subsidiaries and authorized distributors provide product or system options for further investigation by users having technical expertise.

The user, through its own analysis and testing, is solely responsible for making the final selection of the system and components and assuring that all performance, endurance, maintenance, safety and warning requirements of the application are met. The user must analyze all aspects of the application, follow applicable industry standards, and follow the information concerning the product in the current product catalog and in any other materials provided from Parker or its subsidiaries or authorized distributors.

To the extent that Parker or its subsidiaries or authorized distributors provide component or system options based upon data or specifications provided by the user, the user is responsible for determining that such data and specifications are suitable and sufficient for all applications and reasonably foreseeable uses of the components or systems.